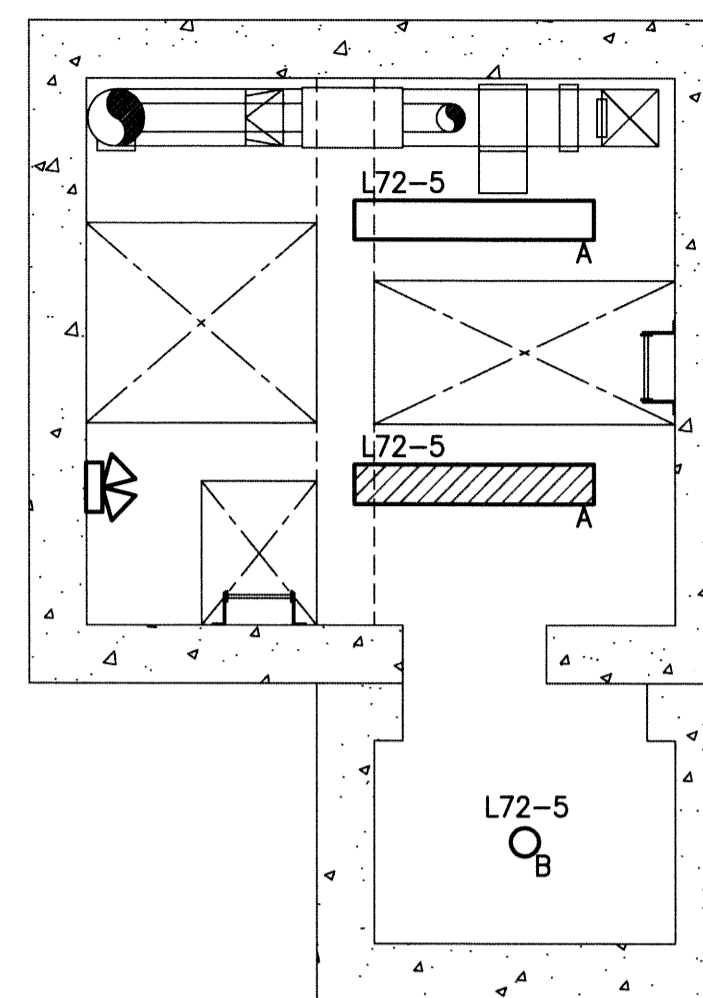


**ELECTRICAL ROOM
FLOOR PLAN**

SCALE: 1:40



FLOOR PLAN - LOWER LEVEL 1

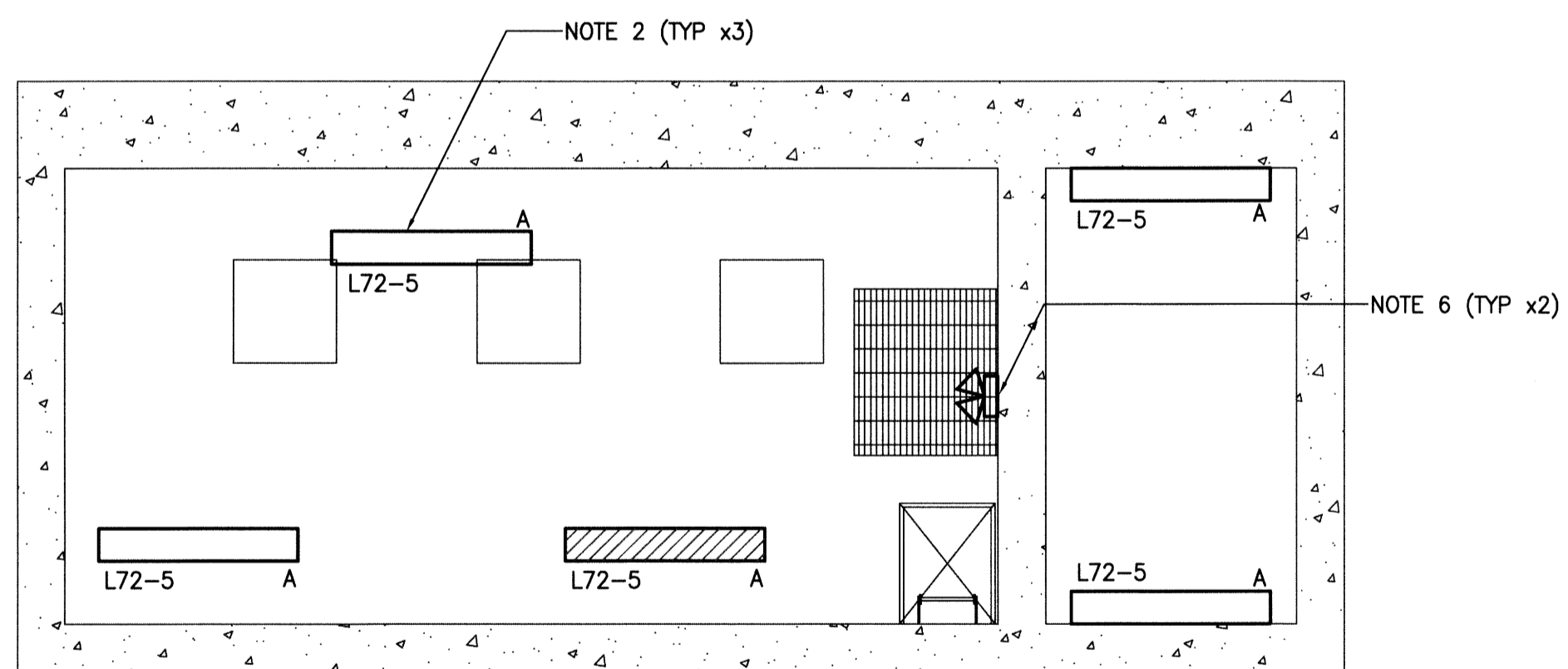
SCALE: 1:40

NOTES:

1. REFER TO DRAWING 1-0116L-E0006-001 (E06) FOR LIGHTING CONTROL WIRING SCHEMATIC AND FOR CONNECTIONS TO SECOND POLE OF SWITCH.
2. FLUORESCENT FIXTURES IN MOTOR ROOM TO BE SURFACE MOUNTED ON CEILING. TILT FIXTURES TO SUIT CURVATURE OF CEILING.
3. FIXTURES ON WEST WALL OF PUMP ROOM TO BE MOUNTED ON CEILING, AND PROVIDE MOUNTING BRACKET TO TILT FIXTURES AT 45 DEGREES.
4. FIXTURES ON EAST WALL OF PUMP ROOM BE MOUNTED AT 1.6m AFF AND PROVIDE MOUNTING BRACKET TO TILT FIXTURES AT 45 DEGREES.
5. EMERGENCY LIGHT FIXTURES IN ELECTRICAL ROOM AND LOWER LEVEL 1 TO BE MOUNTED 2.2m AFF.
6. EMERGENCY LIGHT FIXTURES IN MOTOR ROOM AND PUMP ROOM TO BE MOUNTED 2.0m AFF.

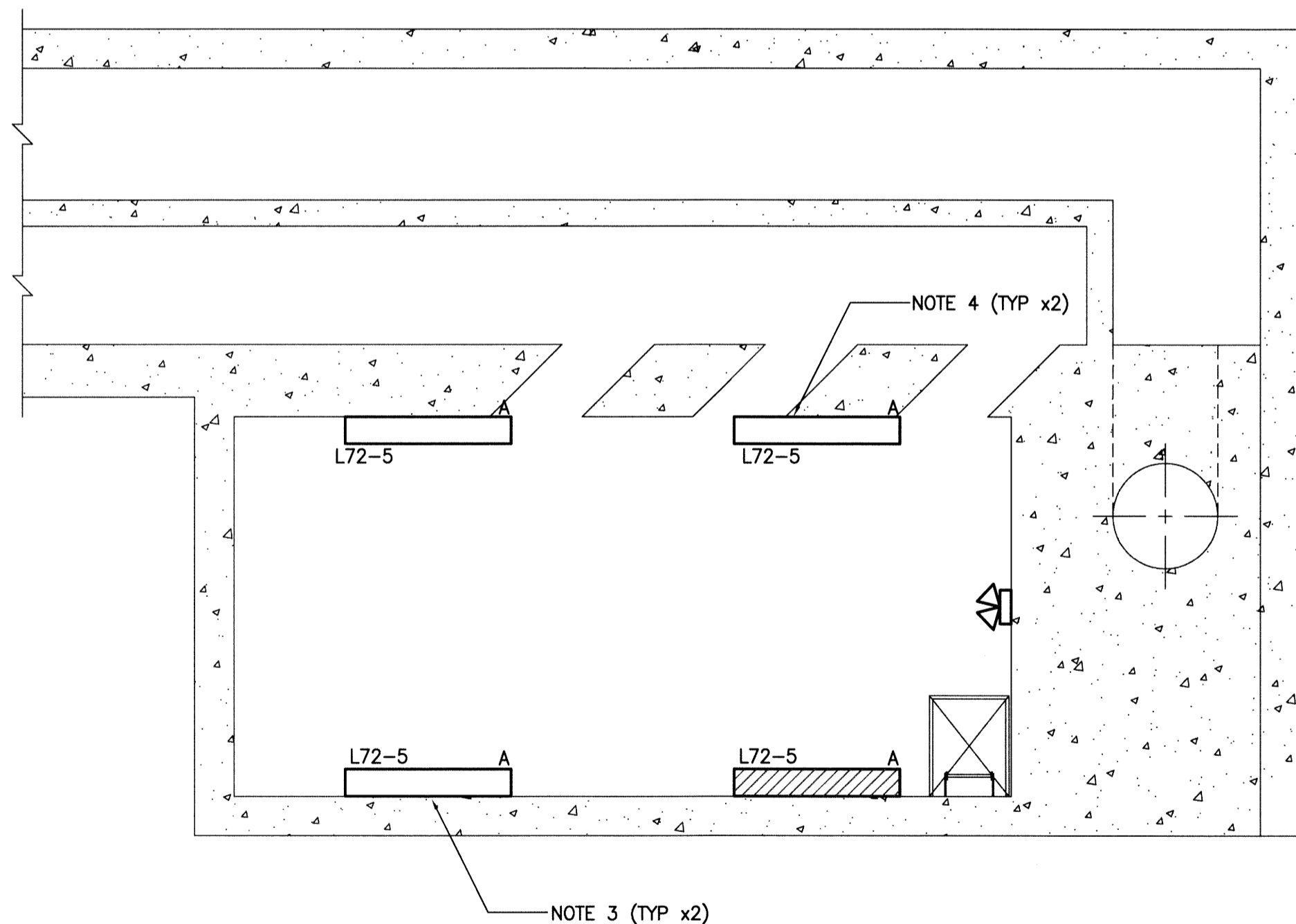
LEGEND:

- PANEL DESIGNATION
- CIRCUIT NUMBER
- CONTROLLING SWITCH
- FLUORESCENT FIXTURE
- FIXTURE TYPE
- RELAY NUMBER
- HATCHING DENOTES TIMER CONTROLLED FIXTURE
- WALL MOUNTED LIGHT FIXTURE
- CEILING MOUNTED LIGHT FIXTURE
- ⚡ EMERGENCY LIGHTING BATTERY UNIT c/w TWO LIGHT HEADS
- ⚡ DUAL REMOTE EMERGENCY LIGHTING HEADS
- ⚡ SINGLE SWITCH WITH 2 POLES



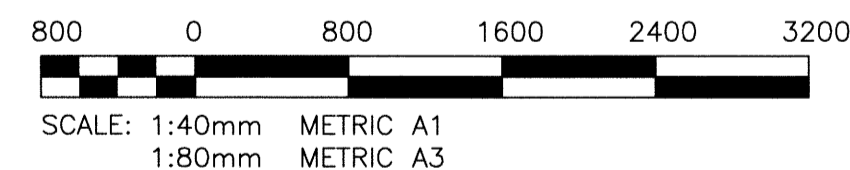
MOTOR ROOM - FLOOR PLAN

SCALE: 1:40



FLOOR PLAN - PUMP ROOM

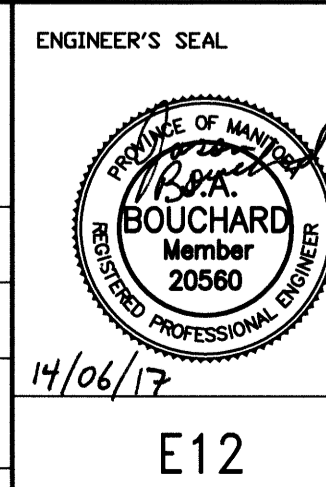
SCALE: 1:40



METRIC
WHOLE NUMBERS INDICATE MILLIMETRES
DECIMALIZED NUMBERS INDICATE METRES



POSTED TO LBIS		FIELD BOOK #		DESIGNED BY DDW		CHECKED BY GAB	
0	ISSUED FOR CONSTRUCTION	14/06/16	JAB	VERTICAL	AS NOTED	RELEASED FOR CONSTRUCTION	K.ZUREK
NO.	REVISIONS	DATE	BY	DATE	2013 07 25	DATE	2014/06/16



THE CITY OF WINNIPEG
WATER AND WASTE DEPARTMENT

AUBREY WASTEWATER PUMPING STATION UPGRADE
1016 PALMERSTON AVE
ELECTRICAL LIGHTING PLANS

SHEET 1 OF 1
CITY DRAWING NUMBER
1-0116L-E0009-001