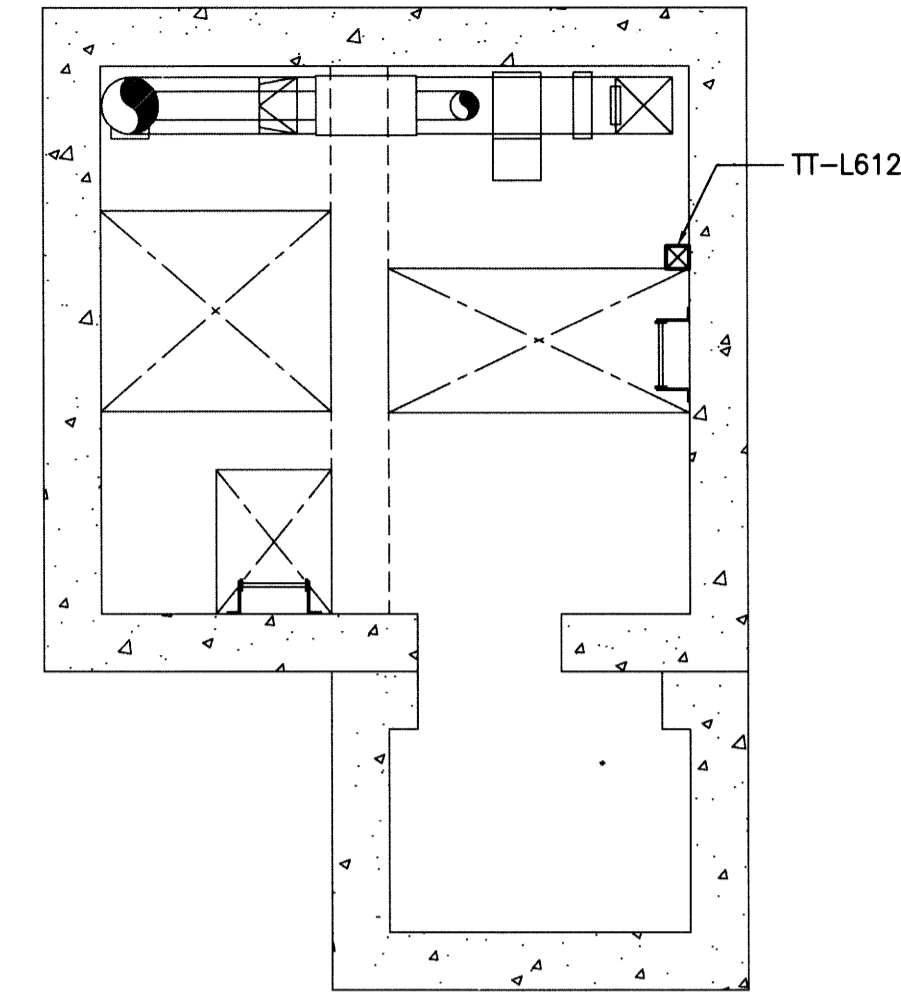


**ELECTRICAL ROOM FLOOR PLAN**

SCALE: 1:40



**FLOOR PLAN - LOWER LEVEL 1**

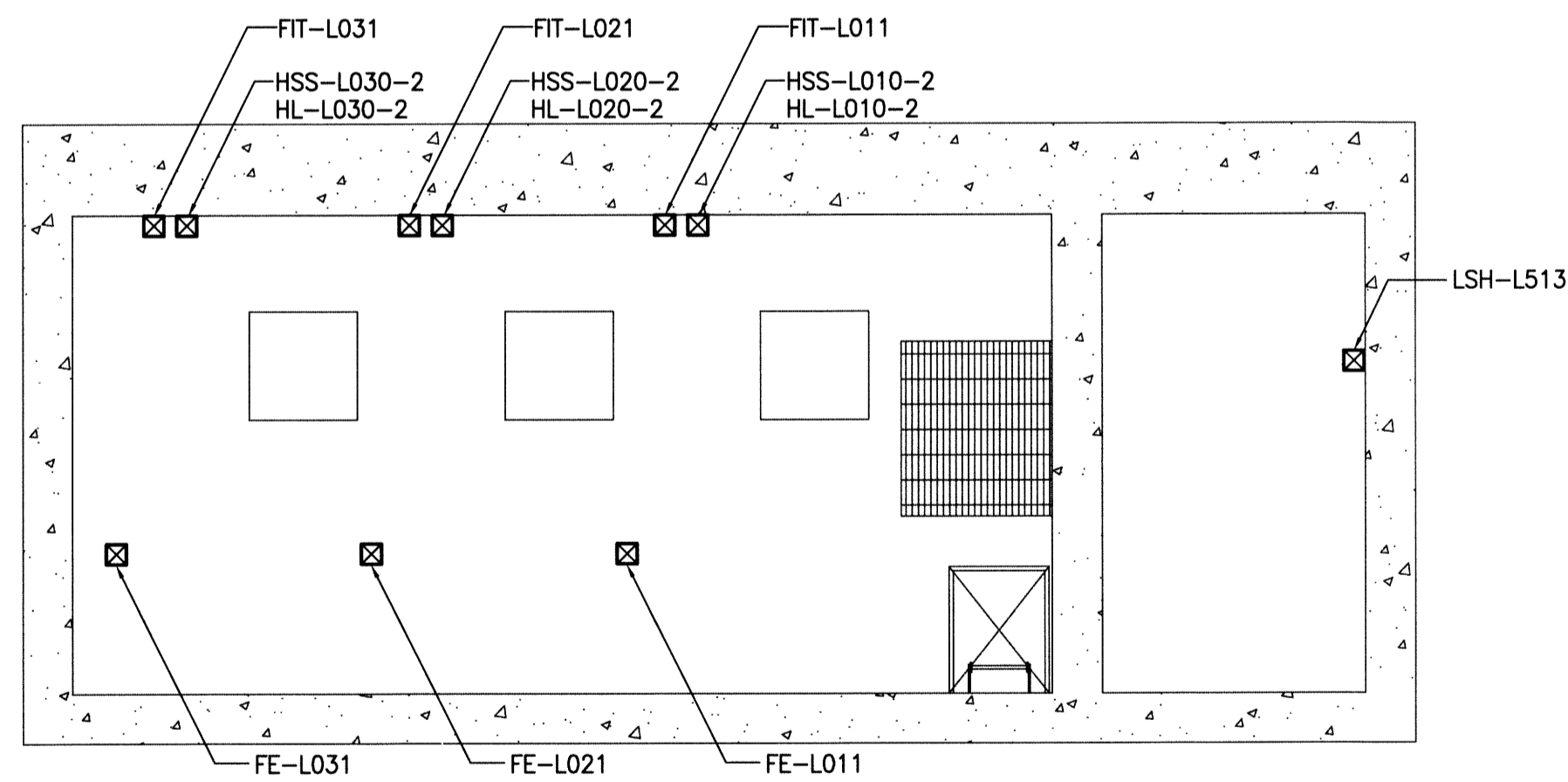
SCALE: 1:40

**NOTES:**

1. SUMP PIT LEVEL SWITCH PROVIDED WITH AND INSTALLED ON SUMP PUMP.
2. PUMP ROOM LEVEL SWITCH MOUNTED 150mm AFF.
3. EXISTING INSTRUMENT OR DEVICE RETAINED AND INSTALLED IN NEW LOCATION.

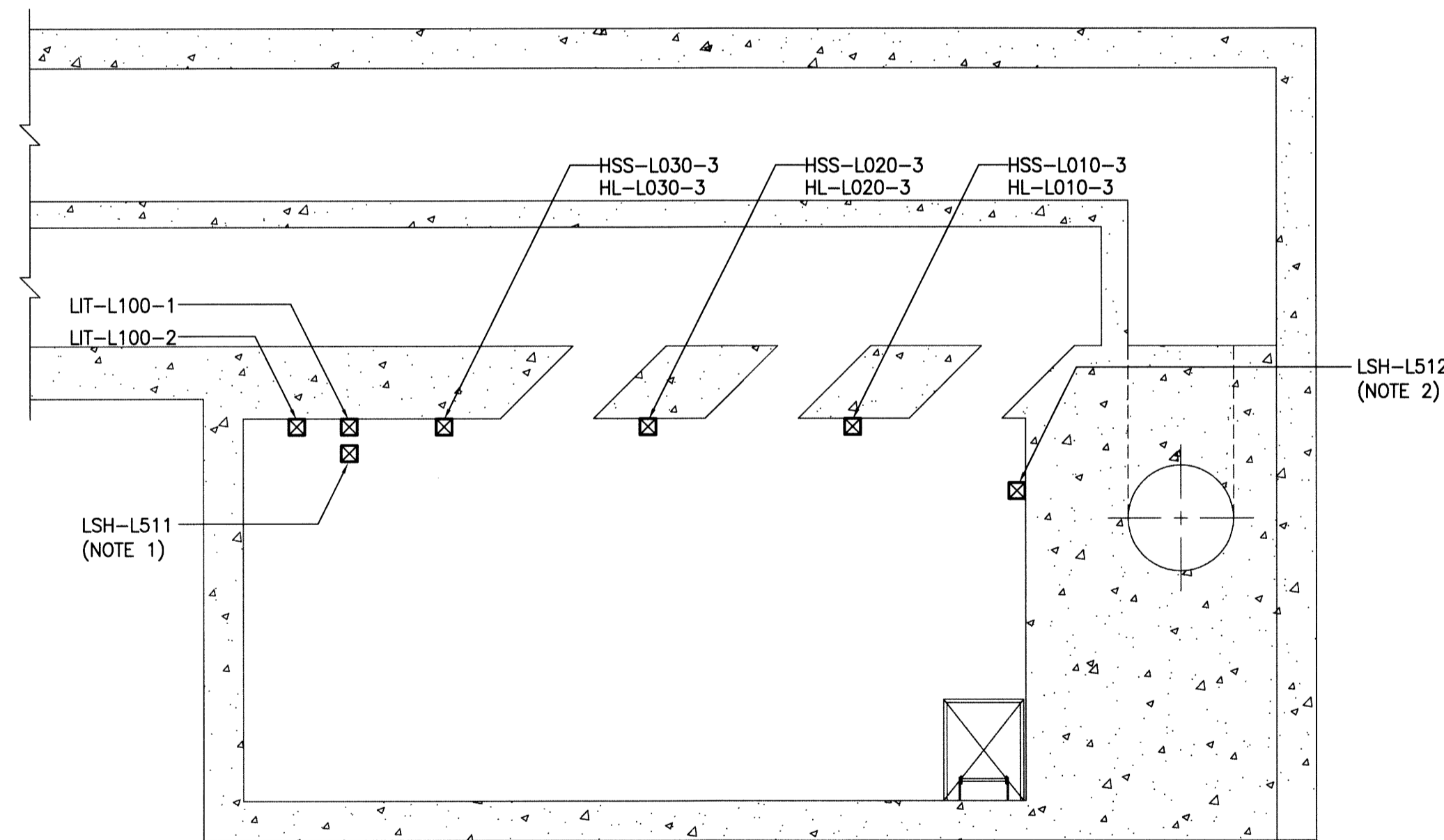
**LEGEND:**

☒ EQUIPMENT



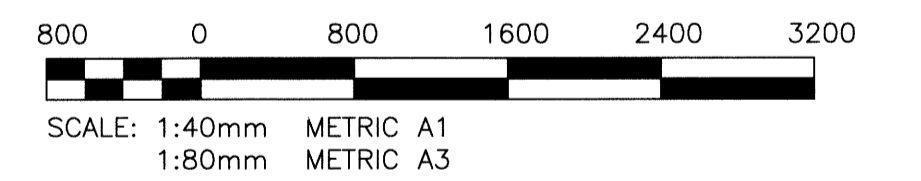
**MOTOR ROOM - FLOOR PLAN**

SCALE: 1:40



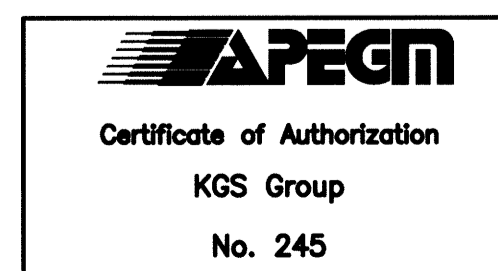
**FLOOR PLAN - PUMP ROOM**

SCALE: 1:40



**METRIC**

WHOLE NUMBERS INDICATE MILLIMETRES  
DECIMALIZED NUMBERS INDICATE METRES



FIELD BOOK #:				ENGINEER'S SEAL	
POSTED TO LBIS					
DESIGNED BY	DDW	CHECKED BY	<i>JMS</i>	RELEASED FOR CONSTRUCTION K.ZUREK 2014/06/16	
DRAWN BY	GCN	APPROVED BY			
HDR. SCALE	AS NOTED	DATE	2013 07 25	E13	
VERTICAL	AS NOTED	DATE	2014/06/16		
0	ISSUED FOR CONSTRUCTION	14/06/16	JAB		
ND.	REVISIONS	DATE	BY		

**THE CITY OF WINNIPEG**  
 WATER AND WASTE DEPARTMENT  
 AUBREY WASTEWATER PUMPING STATION UPGRADE  
 1016 PALMERSTON AVE  
**ELECTRICAL**  
 INSTRUMENTATION PLANS

SHEET 1 OF 1  
 CITY DRAWING NUMBER  
 1-0116L-E0010-001