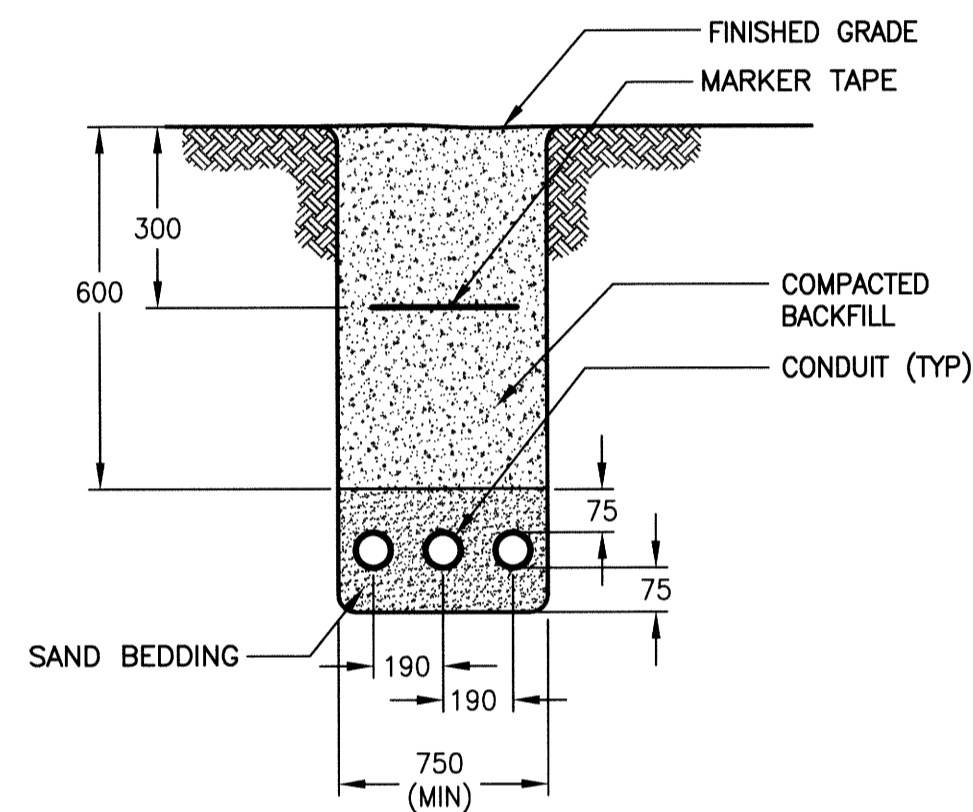
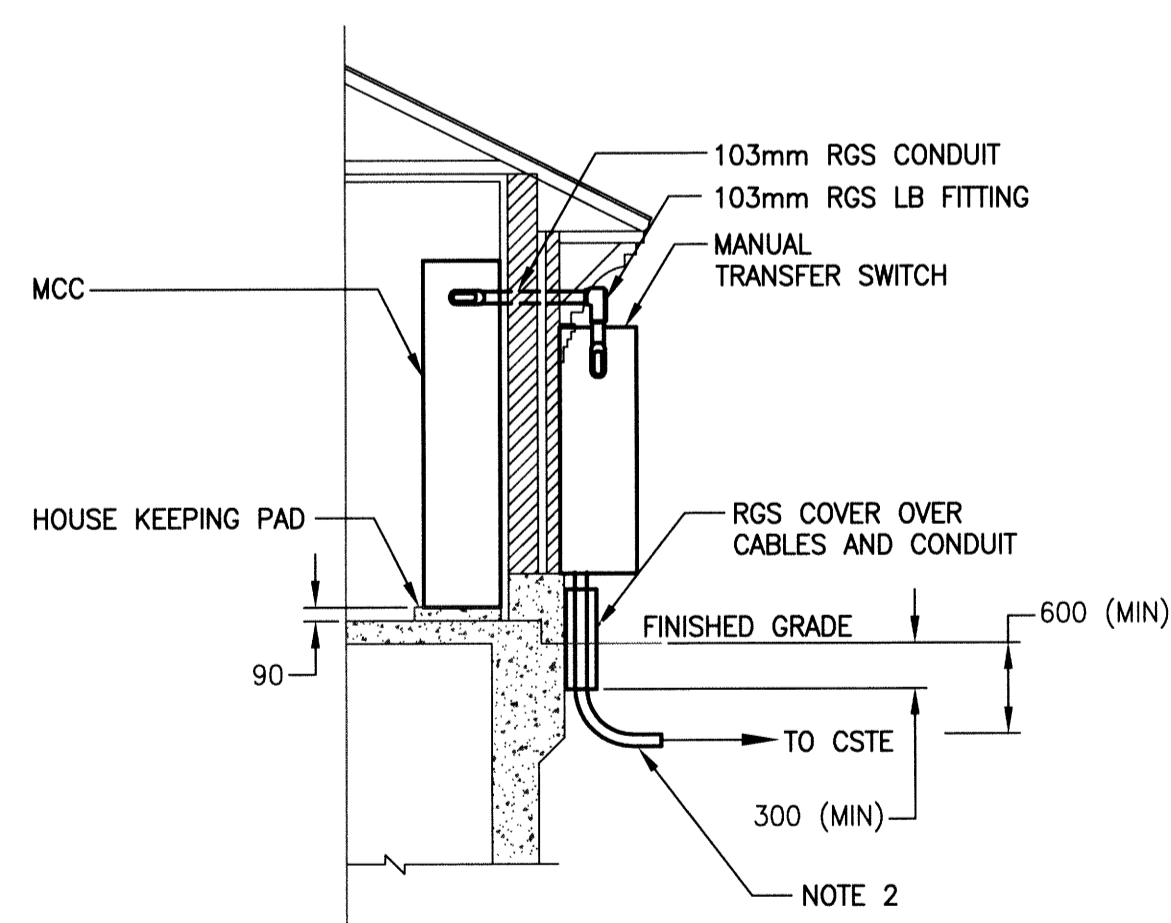


A GROUND WELL DETAIL
E10 SCALE: N.T.S.



D CABLE TRENCH DETAIL
E10 SCALE: N.T.S.



H SERVICE ENTRANCE DETAIL
E10 SCALE: N.T.S.

UNDERGROUND CONDUCTORS

CIRCUIT I.D. _____

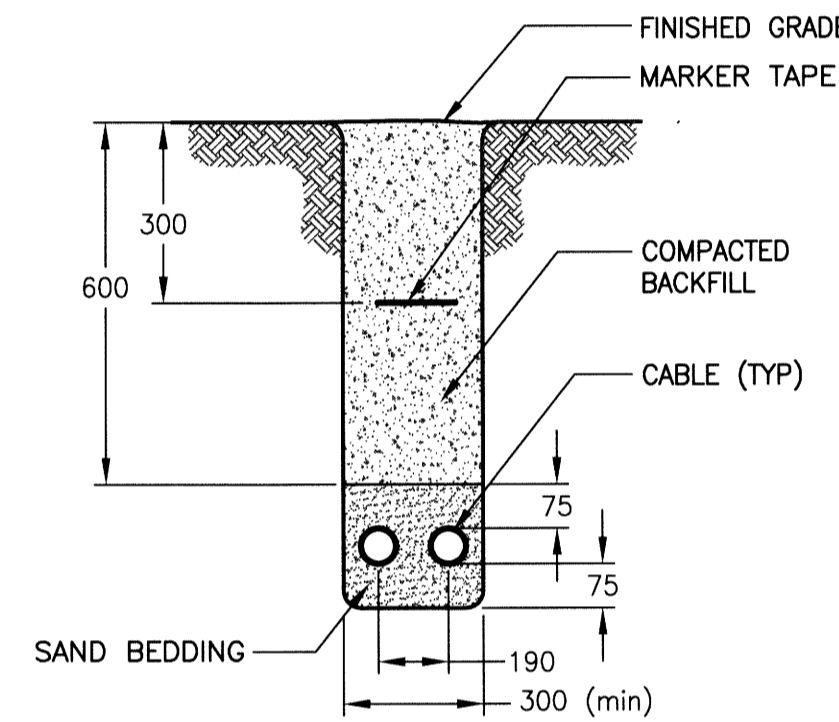
YEAR INSTALLED _____

DIAGRAM _____ DETAIL _____ TABLE _____

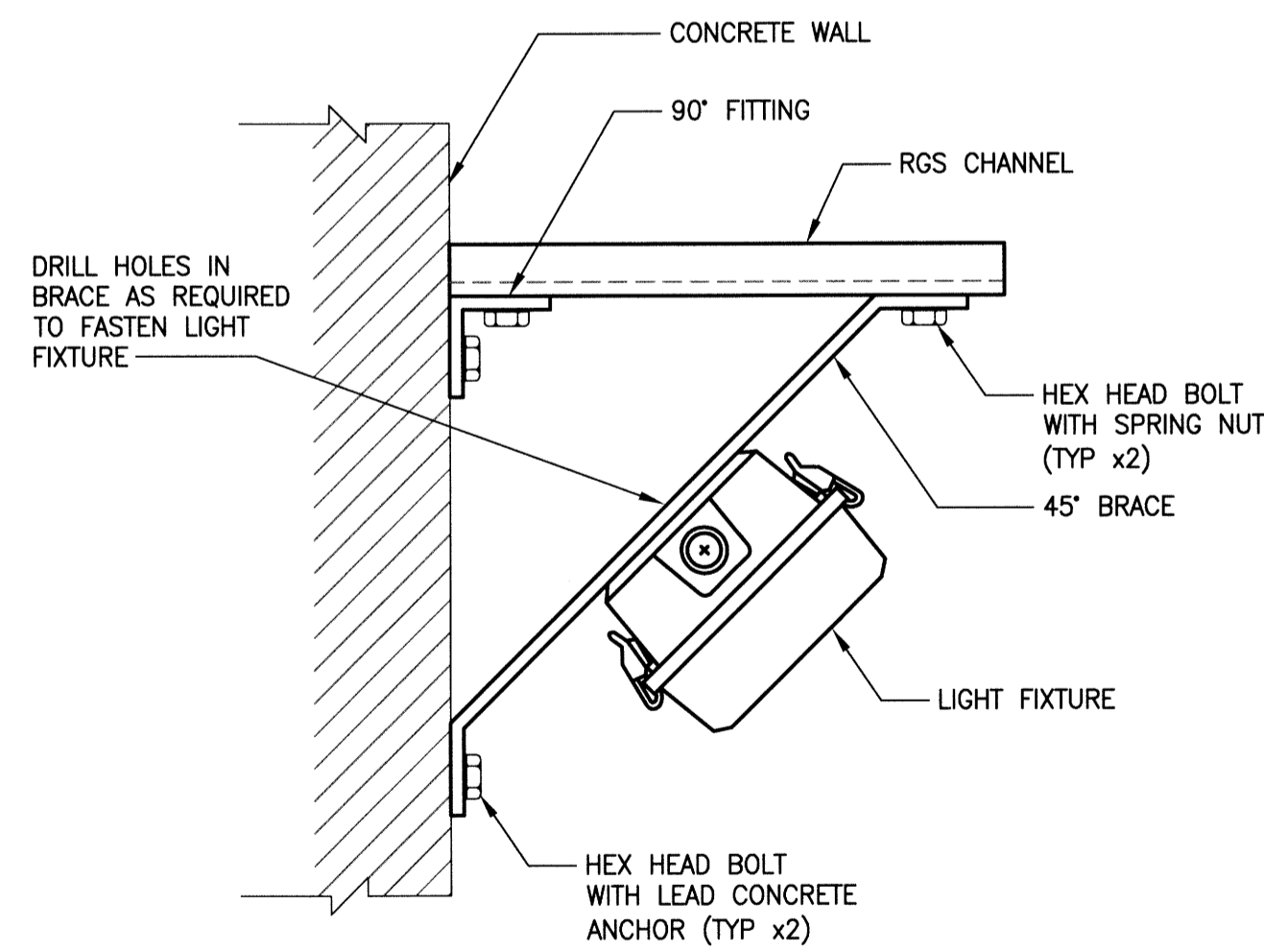
SIZE/TYPE OF CONDUCTOR _____

AMPACITY _____ MAX. OVERCURRENT _____

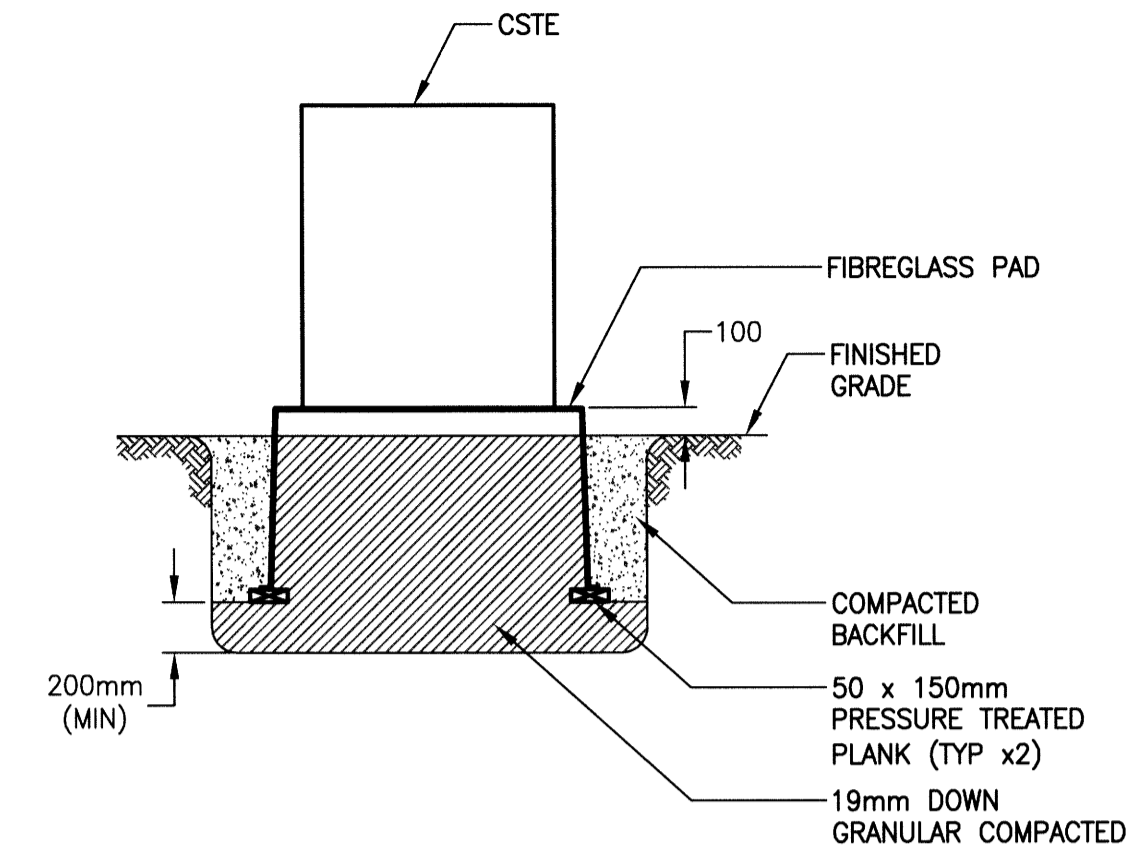
B BURIED CABLE LAMACOID LABEL
E10 SCALE: N.T.S.



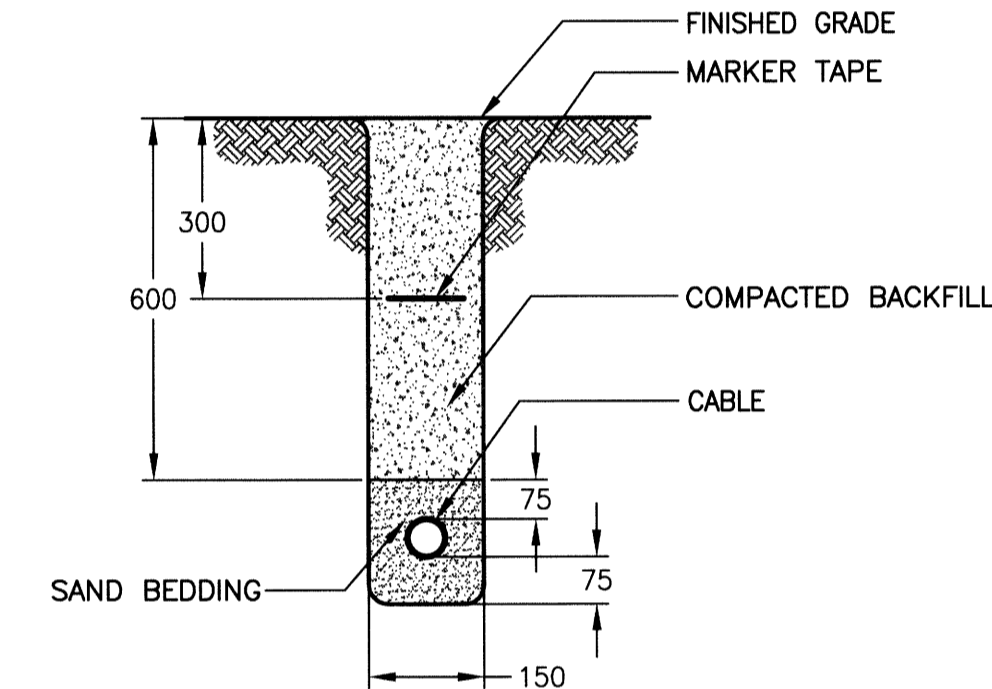
E CABLE TRENCH DETAIL
E10 SCALE: N.T.S.



J FIXTURE MOUNTING DETAIL (NOTE 1)
E12 SCALE: N.T.S.



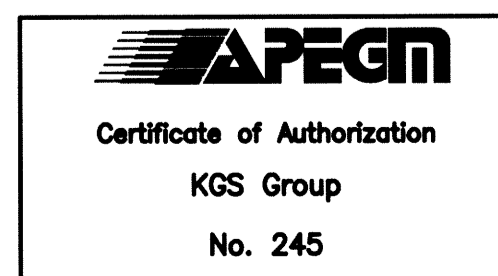
C CSTE PAD INSTALLATION
E10 SCALE: N.T.S.



F CABLE TRENCH DETAIL
E10 SCALE: N.T.S.

NOTES:

- WHERE FIXTURE IS MOUNTED IN CORNER BETWEEN WALL AND CEILING, ELIMINATE RGS CHANNEL AND 90° FITTING, AND ANCHOR 45° BRACE TO WALL AND CEILING.
- PROVIDE SUFFICIENT CABLE UNDERGROUND TO PREVENT ANY STRESS ON CABLES DUE TO GROUND SETTLING.



| POSTED TO LBIS | | FIELD BOOK #: | |
|----------------|-------------------------|---------------|-----|
| 0 | ISSUED FOR CONSTRUCTION | 14/06/16 | JAB |
| NO. | REVISIONS | DATE | BY |
| | | 2013 08 27 | |

| | | |
|--|---------------------------|---------------------|
| KGS GROUP CONSULTING ENGINEERS | | ENGINEER'S SEAL |
| DESIGNED BY: JAB | CHECKED BY: | E14 |
| DRAWN BY: JPL | APPROVED BY: K.ZUREK | |
| HDR. SCALE: AS NOTED | RELEASED FOR CONSTRUCTION | |
| VERTICAL: AS NOTED | DATE: 2014/06/16 | |

THE CITY OF WINNIPEG
WATER AND WASTE DEPARTMENT

AUBREY WASTEWATER PUMPING STATION UPGRADE
1016 PALMERSTON AVE
ELECTRICAL
MISCELLANEOUS DETAILS

SHEET 1 OF 1
CITY DRAWING NUMBER
1-0116L-E0011-001