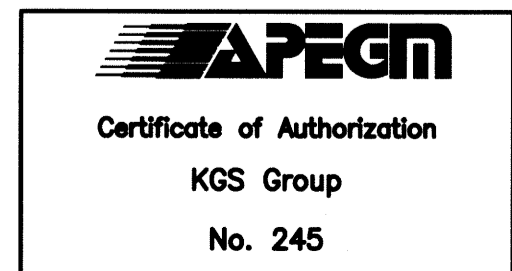
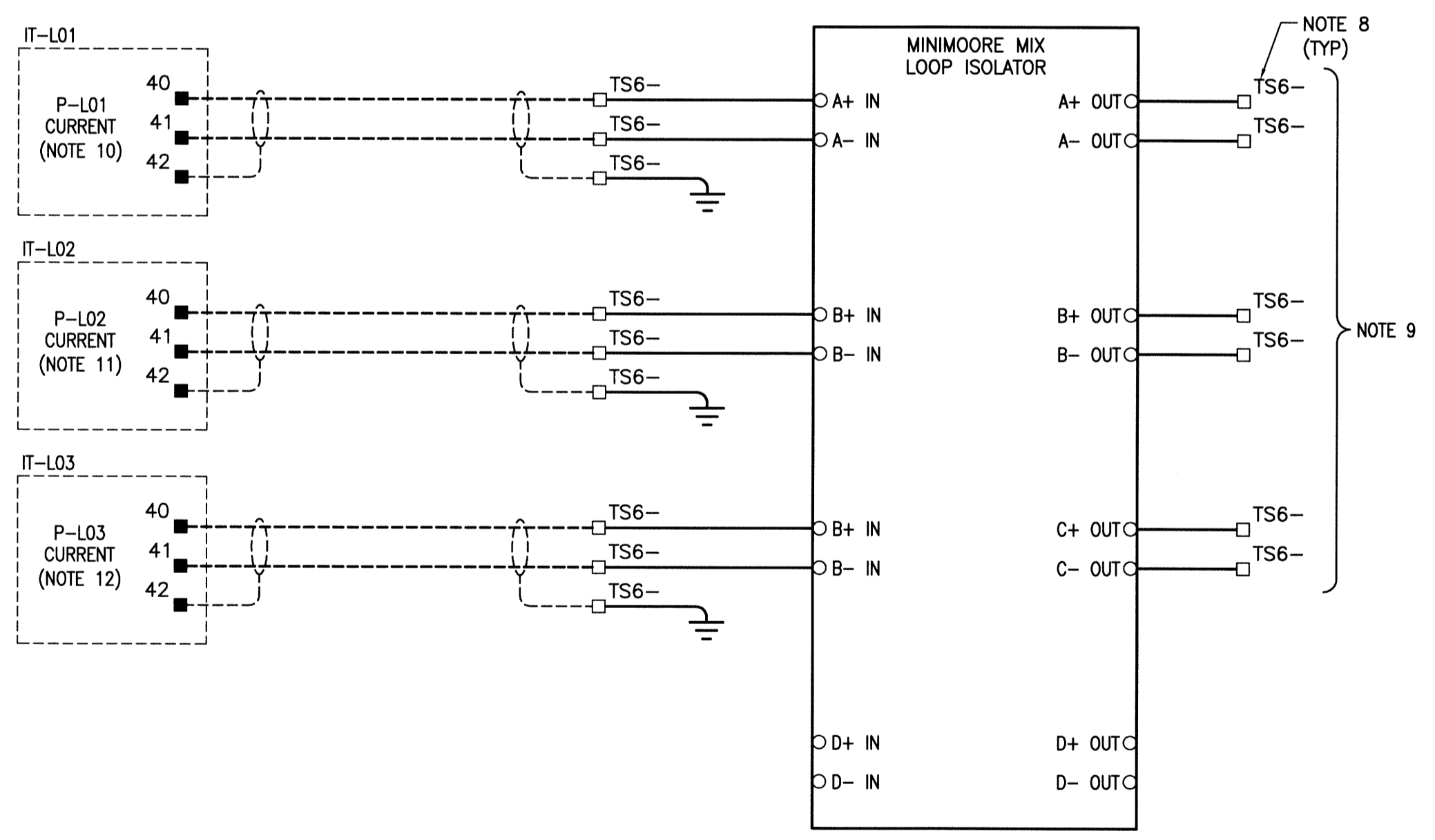
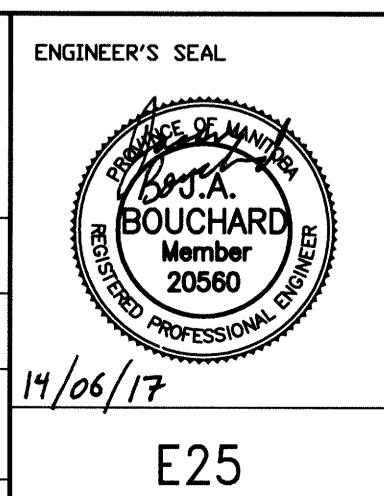


- NOTES:**
- REFER TO DRAWING 1-0116L-E0015-001 (E21.1) FOR ADDITIONAL DETAILS.
 - REFER TO DRAWING 1-0116L-E0025-001 (E36) FOR DETAILS OF LOOP.
 - REFER TO DRAWING 1-0116L-E0014-001 (E20) FOR ADDITIONAL DETAILS.
 - ISOLATE AND TAPE BACK SHIELD AT THIS END ONLY.
 - RELOCATE EXISTING EQUIPMENT FROM CSO CABINET TO NEW RTU CABINET.
 - EXISTING INSTRUMENTS SHALL BE RECONNECTED TO EQUIPMENT RELOCATED FROM CSO CABINET.
 - REFER TO DRAWING 1-0116L-E0029-002 (E34.2) FOR ADDITIONAL DETAILS.
 - FINAL TERMINAL BLOCK NUMBERS FOR TERMINALS ON TERMINAL STRIP TS5 & TS6 SHALL BE DETAILED ON SHOP DRAWINGS.
 - REFER TO DRAWING 1-0116L-E0029-001 (E40) FOR ADDITIONAL DETAILS.
 - REFER TO PUMP P-L01 STARTER SCHEMATIC DRAWING 1-0116L-E0002-001 (E02) FOR ADDITIONAL DETAILS.
 - REFER TO PUMP P-L02 STARTER SCHEMATIC DRAWING 1-0116L-E0003-001 (E03) FOR ADDITIONAL DETAILS.
 - REFER TO PUMP P-L03 STARTER SCHEMATIC DRAWING 1-0116L-E0004-001 (E04) FOR ADDITIONAL DETAILS.

- LEGEND:**
- RTU TERMINAL
 - ⊠ FIELD DEVICE TERMINAL
 - STARTER TERMINAL
 - ▣ FUSED TERMINAL
 - PANEL WIRING
 - - - FIELD WIRING



FIELD BOOK #		DESIGNED BY		CHECKED BY	
POSTED TO LBIS		DDW		GMB	
		HDR. SCALE	N.T.S.	APPROVED BY	
		VERTICAL		RELEASED FOR CONSTRUCTION	
0	ISSUED FOR CONSTRUCTION	14/06/16	JAB	K.ZUREK	
NL	REVISIONS	DATE	BY	DATE	2013 07 30



THE CITY OF WINNIPEG
WATER AND WASTE DEPARTMENT

AUBREY WASTEWATER PUMPING STATION UPGRADE
1016 PALMERSTON AVE

ELECTRICAL
RTU PANEL - CSO FLOW TRANSMITTER & PUMP CURRENT SIGNALS

SHEET 1 OF 1
CITY DRAWING NUMBER
1-0116L-E0019-001