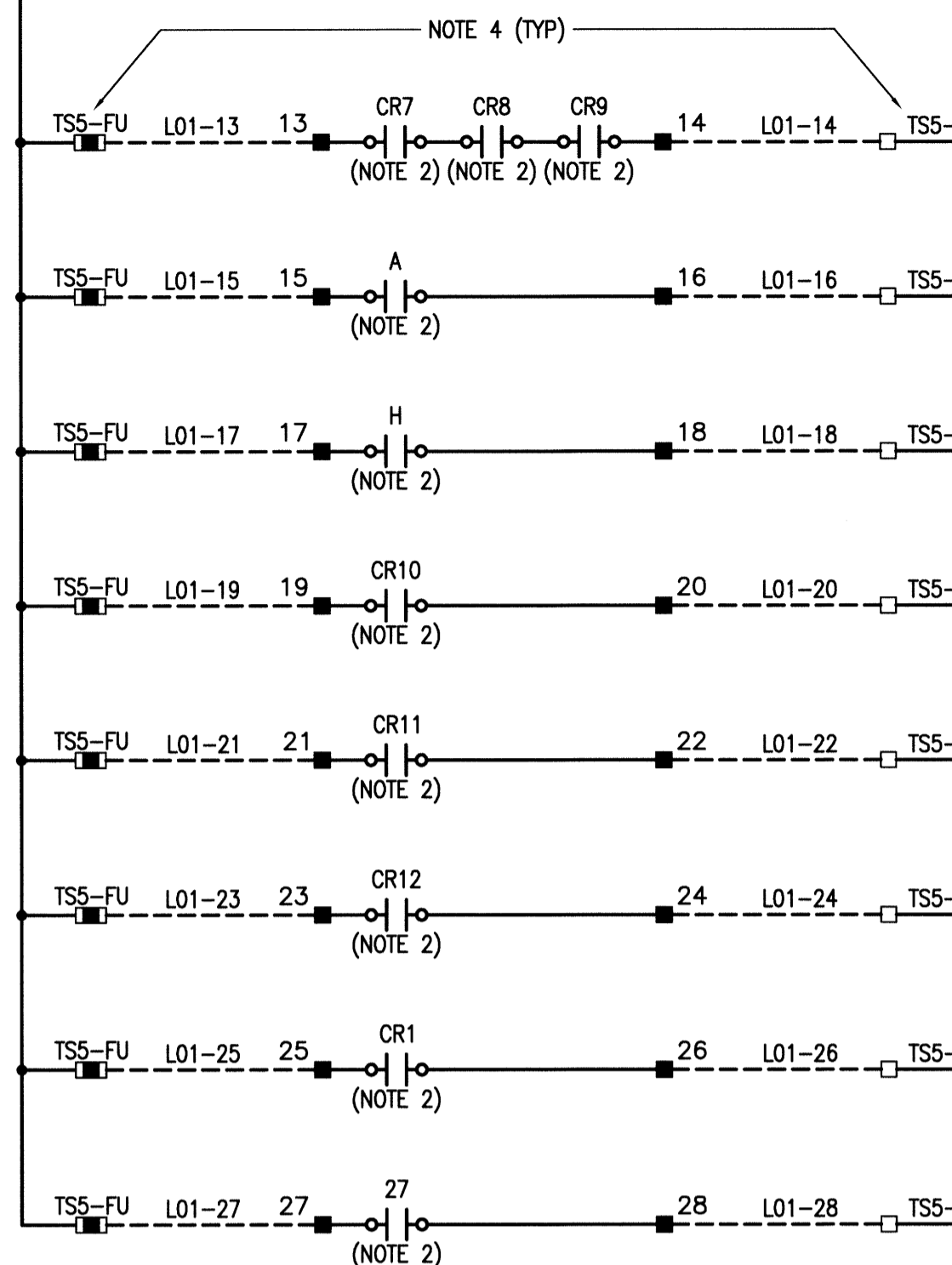
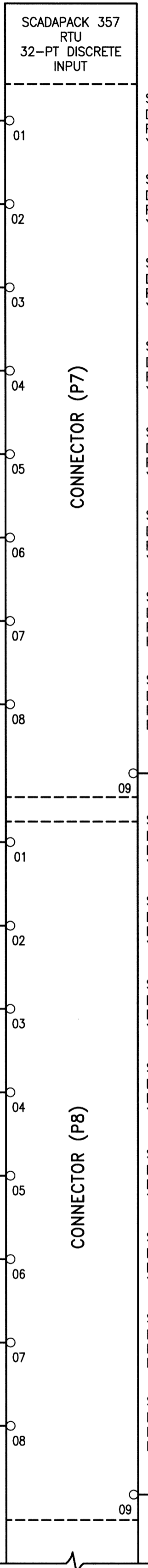
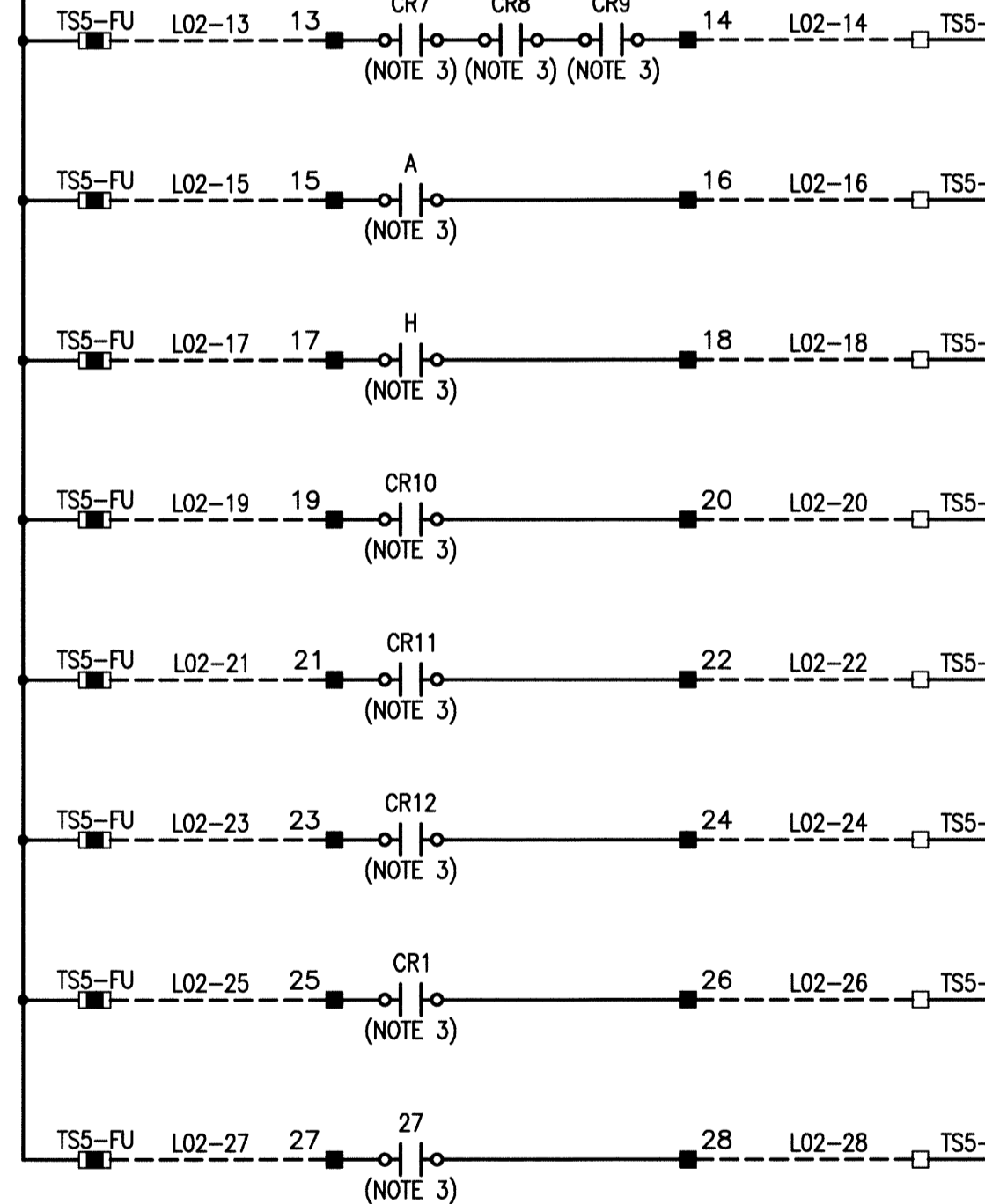


FROM TS2-FU11  
24 VDC  
(NOTE 1)



FROM TS2-FU12  
24 VDC  
(NOTE 1)



SCADAPACK 357  
RTU  
32-PT DISCRETE  
INPUT

SCADAPACK 357  
DIGITAL INPUT (24VDC)  
P-L01 E-STOP ACTIVATED  
YS-L010-1

SCADAPACK 357  
DIGITAL INPUT (24VDC)  
P-L01 SWITCH IN AUTO CONTROL MODE  
YS-L010-2

SCADAPACK 357  
DIGITAL INPUT (24VDC)  
P-L01 SWITCH IN HAND CONTROL MODE  
YS-L010-3

SCADAPACK 357  
DIGITAL INPUT (24VDC)  
P-L01 MOTOR READY STATUS  
YS-L010-4

SCADAPACK 357  
DIGITAL INPUT (24VDC)  
P-L01 PUMP RUN STATUS  
YS-L010-5

SCADAPACK 357  
DIGITAL INPUT (24VDC)  
P-L01 FAULT STATUS  
YS-L010-6

SCADAPACK 357  
DIGITAL INPUT (24VDC)  
P-L01 SWITCH IN BYPASS MODE  
HS-L010

SCADAPACK 357  
DIGITAL INPUT (24VDC)  
P-L01 CONTROL POWER STATUS  
ES-L010

FROM TS2-C11  
0 VDC  
(NOTE 1)

SCADAPACK 357  
DIGITAL INPUT (24VDC)  
P-L02 E-STOP ACTIVATED  
YS-L020-1

SCADAPACK 357  
DIGITAL INPUT (24VDC)  
P-L02 SWITCH IN AUTO CONTROL MODE  
YS-L020-2

SCADAPACK 357  
DIGITAL INPUT (24VDC)  
P-L02 SWITCH IN HAND CONTROL MODE  
YS-L020-3

SCADAPACK 357  
DIGITAL INPUT (24VDC)  
P-L02 MOTOR READY STATUS  
YS-L020-4

SCADAPACK 357  
DIGITAL INPUT (24VDC)  
P-L02 PUMP RUN STATUS  
YS-L020-5

SCADAPACK 357  
DIGITAL INPUT (24VDC)  
P-L02 FAULT STATUS  
YS-L020-6

SCADAPACK 357  
DIGITAL INPUT (24VDC)  
P-L02 SWITCH IN BYPASS MODE  
HS-L020

SCADAPACK 357  
DIGITAL INPUT (24VDC)  
P-L02 CONTROL POWER STATUS  
ES-L020

FROM TS2-C12  
0 VDC  
(NOTE 1)

- NOTES:**
- REFER TO DRAWING 1-0116L-E0015-001 (E21.1) FOR ADDITIONAL DETAILS.
  - REFER TO PUMP P-L01 STARTER SCHEMATIC DRAWING 1-0116L-E0002-001 (E02) FOR ADDITIONAL DETAILS.
  - REFER TO PUMP P-L02 STARTER SCHEMATIC DRAWING 1-0116L-E0003-001 (E03) FOR ADDITIONAL DETAILS.
  - FINAL TERMINAL BLOCK NUMBERS FOR TERMINALS ON TERMINAL STRIP TS5 SHALL BE DETAILED ON SHOP DRAWINGS.

- LEGEND:**
- RTU TERMINAL
  - STARTER TERMINAL
  - FUSED TERMINAL
  - PANEL WIRING
  - - - FIELD WIRING

File Name: P:\Projects\2013\13-0107-021\Doc.Control\ToBeIssued\DWG\13-0107-021\_E34.1-Rev.0.dwg - Tab: E34.1 Plotted By: Dberche 06/17/2014 [Tue 3:20pm]



POSTED TO LBIS		FIELD BOOK #:				ENGINEER'S SEAL	
DESIGNED BY	DDW	CHECKED BY	<i>JAB</i>	DESIGNED BY	GCN	APPROVED BY	
DRAWN BY	GCN	RELEASED FOR CONSTRUCTION	K.ZUREK	HDR. SCALE	N.T.S.	DATE	2014/06/16
ISSUED FOR CONSTRUCTION	14/06/16	DATE	JAB	DATE	2013 07 25	DATE	2014/06/16
NO.	REVISIONS	DATE	BY	DATE	2013 07 25	DATE	2014/06/16

**THE CITY OF WINNIPEG**  
WATER AND WASTE DEPARTMENT

AUBREY WASTEWATER PUMPING STATION UPGRADE

1016 PALMERSTON AVE

**ELECTRICAL**

RTU PANEL - 5606 I/O BOARD  
DISCRETE INPUTS

SHEET 1 OF 2

CITY DRAWING NUMBER  
1-0116L-E0023-001

E34.1