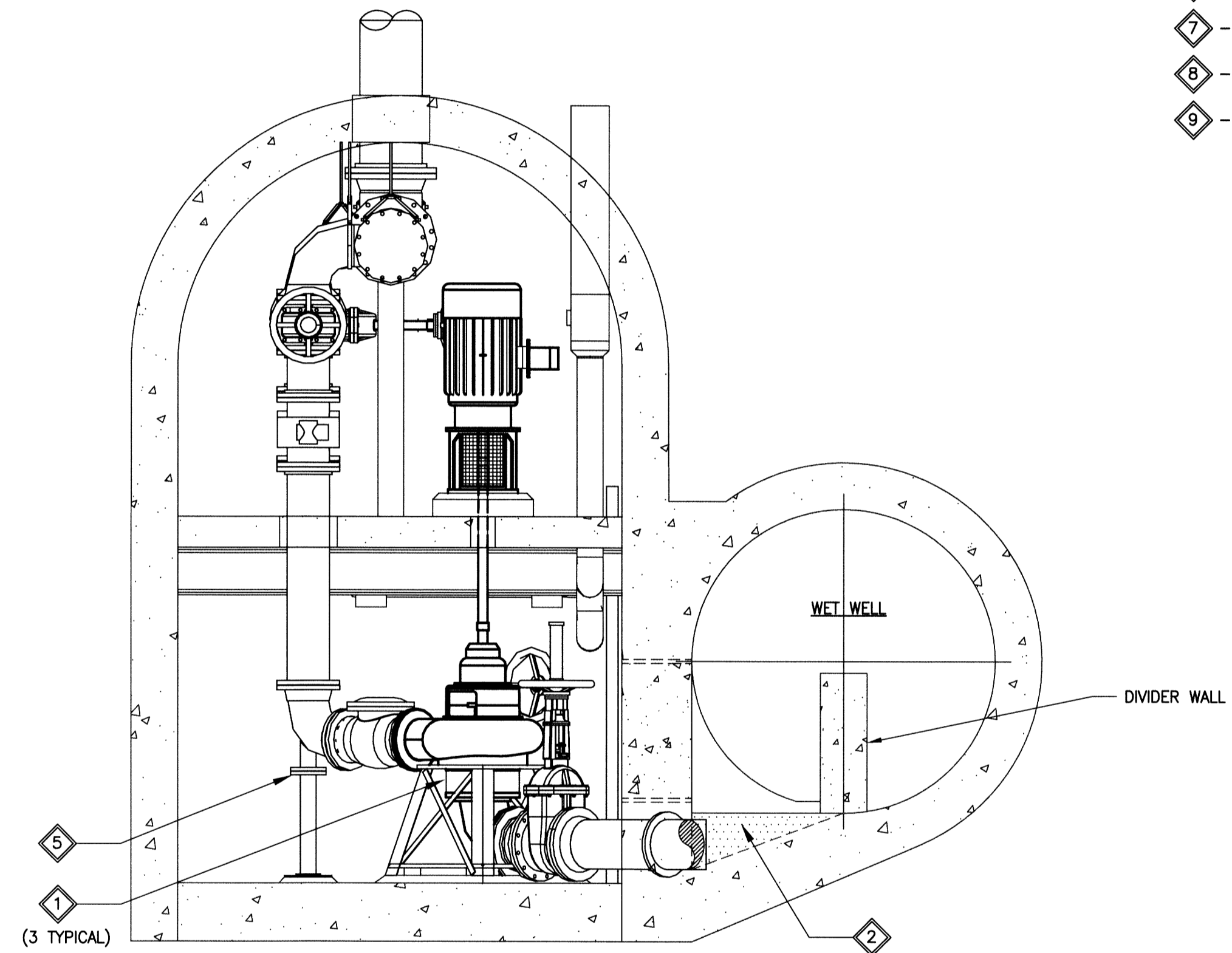


SECTION A



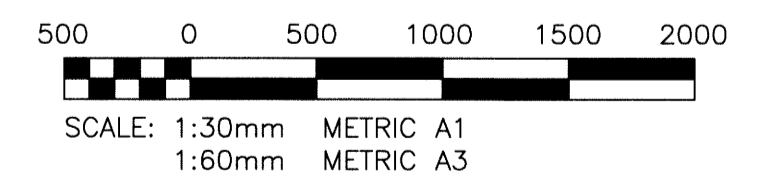
SECTION B

GENERAL NOTES:

1. REVIEW PUMP LOCATIONS AND PIPING FINAL LAYOUT WITH CONTRACT ADMINISTRATOR PRIOR TO INSTALLATION.
2. FIELD CONFIRM EXISTING BUILDING AND NEW SYSTEM PUMP AND PIPING SYSTEM DIMENSIONS TO CONFIRM THE FINAL LAYOUT WILL FIT AS SHOWN.
3. PIPING SYSTEM LAYOUT SHOWN AS STEEL.

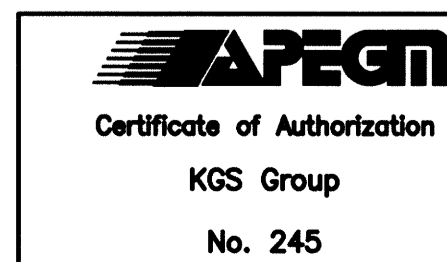
KEYNOTES:

- 1 - 300mm DIAMETER FLANGE FILLER. FIELD MEASURE LENGTH TO SUIT.
- 2 - DEMOLISH CONCRETE AS REQ'D. TO PROVIDE SMOOTH INTAKE INTO PUMP INTAKE PIPE (3 TYPICAL)
- 3 - PROVIDE CONCRETE PUMP BASE FOR PUMP 3 TO MATCH PUMP 1 & 2. MODIFY PUMP 1 & 2 BASE AS REQ'D TO SUIT NEW PUMP LOCATION.
- 4 - CORE HOLES IN FLOOR. SEAL PIPE FLOOR OPENINGS WITH LINK SEAL FLUSH WITH FLOOR ABOVE.
- 5 - 100mm SCH 40 STEEL PIPE SUPPORT WELDED TO PIPE. PROVIDE SUPPORT BASEPLATE DETAIL TO PERMIT MINOR HEIGHT ADJUSTMENT. PROVIDE SUPPORT HOUSEKEEPING PAD. PAINT SUPPORT OUTSIDE AS PER PIPING PAINT SYSTEM. PROVIDE FLANGE SET TO FACILITATE INSTALLATION AND REMOVAL FOR MAINTENANCE.
- 6 - CAPPED 13mm MANUAL VACUUM RELIEF VALVE.
- 7 - UNIFLANGE (FORD SERIES 200 OR EQUAL).
- 8 - 50mm CAPPED MANUAL DRAIN VALVE.
- 9 - NEW 150# PIPE SUPPORT DOWN TO NEW STRUCTURAL BEAM. SEE STRUCTURAL DRAWING S05 FOR FURTHER DETAILS.



METRIC

WHOLE NUMBERS INDICATE MILLIMETRES
DECIMALIZED NUMBERS INDICATE METRES



FIELD BOOK #:				ENGINEER'S SEAL	
POSTED TO LBIS					
DESIGNED BY	RED	CHECKED BY	<i>js</i>		
DRAWN BY	RP	APPROVED BY			
HR. SCALE AS NOTED		RELEASED FOR CONSTRUCTION		M05	
VERTICAL AS NOTED		K. ZURIK			
0	ISSUED FOR CONSTRUCTION	14/06/16	<i>js</i>	2013 07 24	2014/06/16
NO.	REVISIONS	DATE	BY	DATE	DATE

THE CITY OF WINNIPEG
 WATER AND WASTE DEPARTMENT
 AUBREY WASTEWATER PUMPING STATION UPGRADE
 1016 PALMERSTON AVE.
MECHANICAL
 PROCESS PIPING - PLAN & SECTIONS

SHEET 1 OF 1
 CITY DRAWING NUMBER
 1-0116L-M0005-001