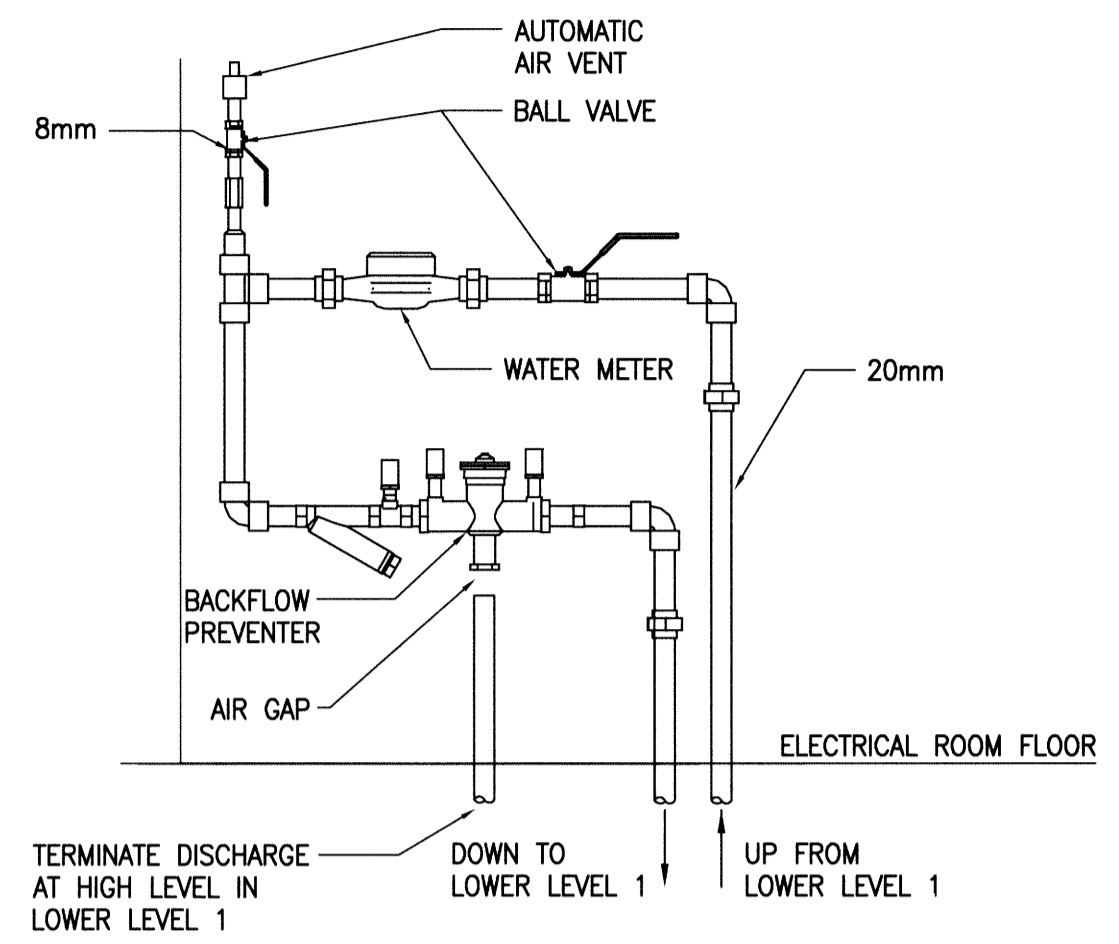
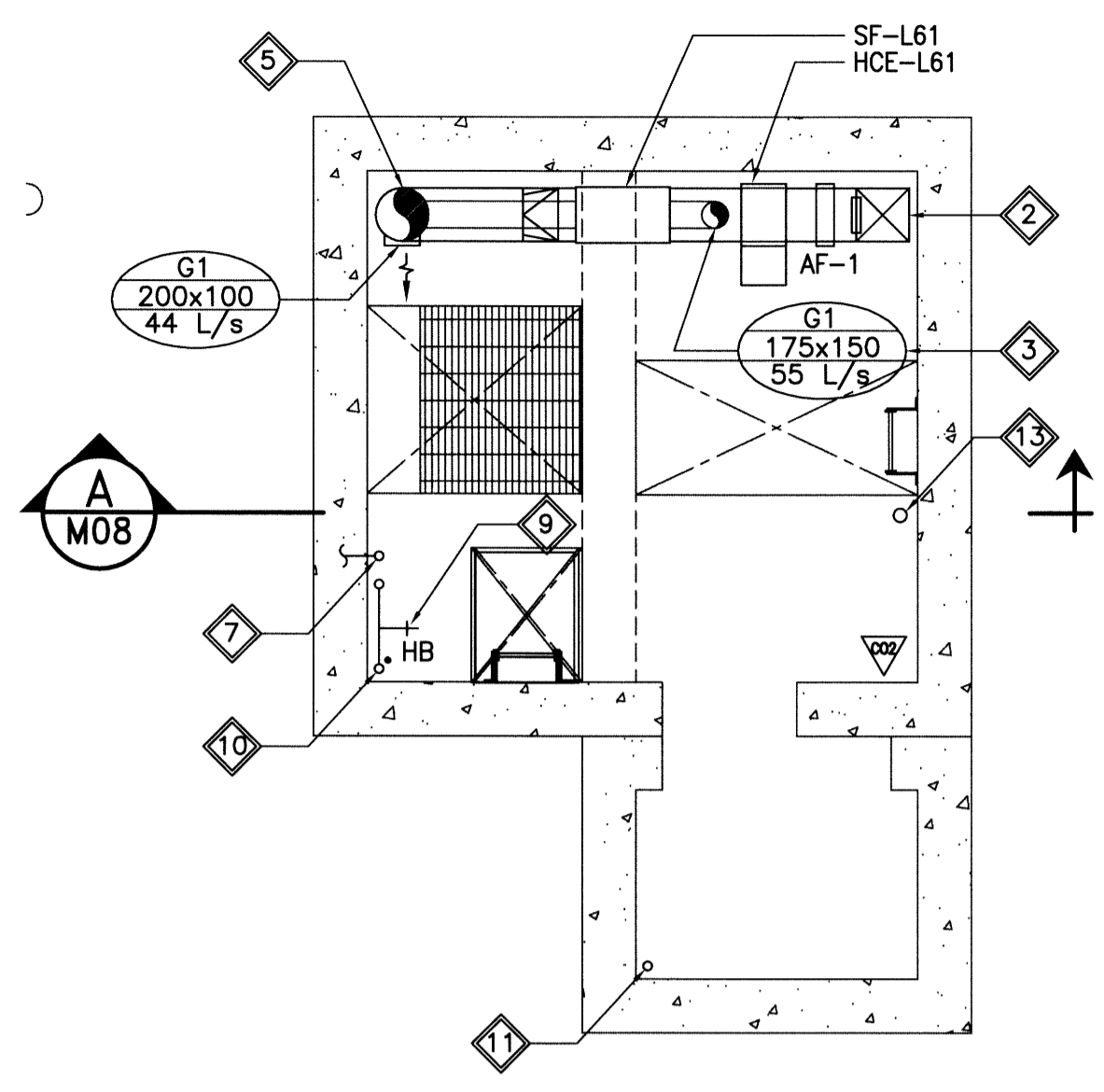


PLAN - ELECTRICAL ROOM
SCALE: 1:40

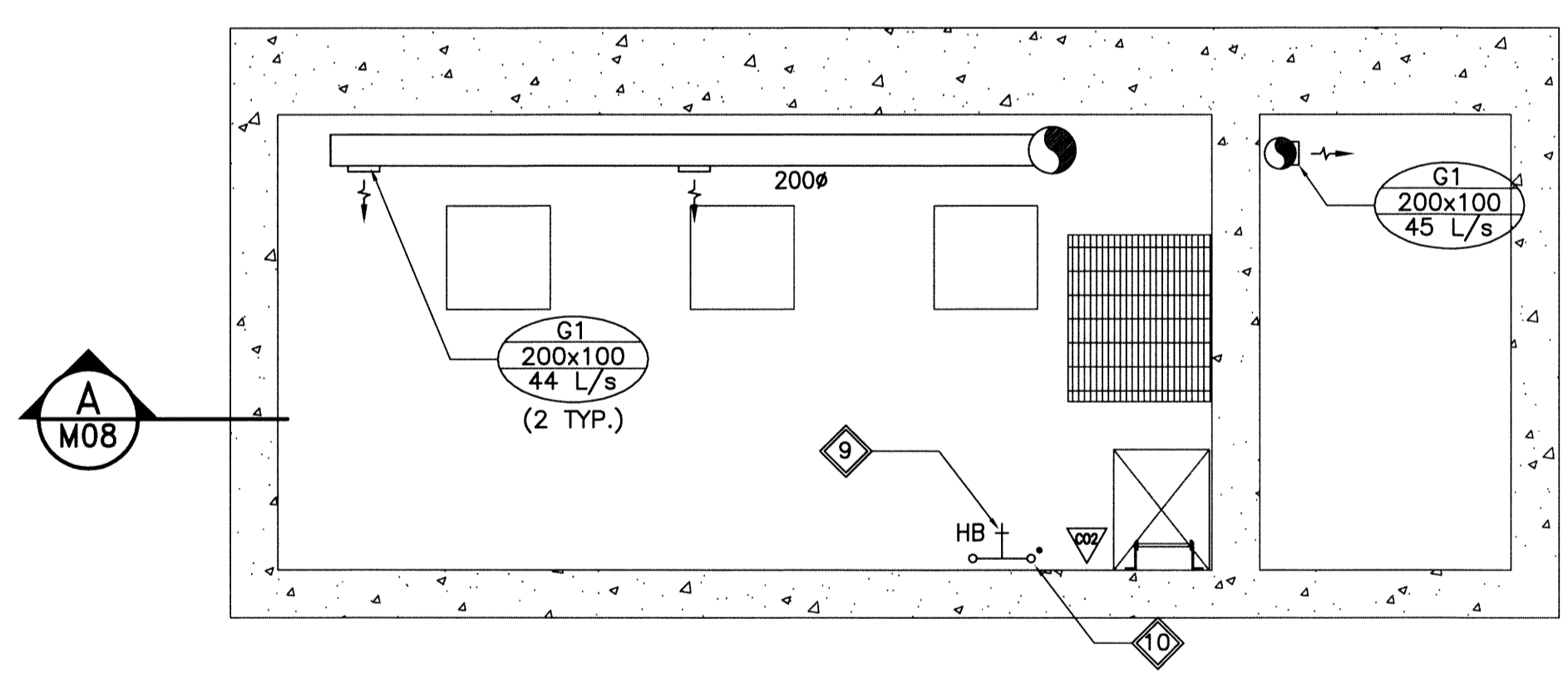


DETAIL - 1
SCALE: N.T.S.

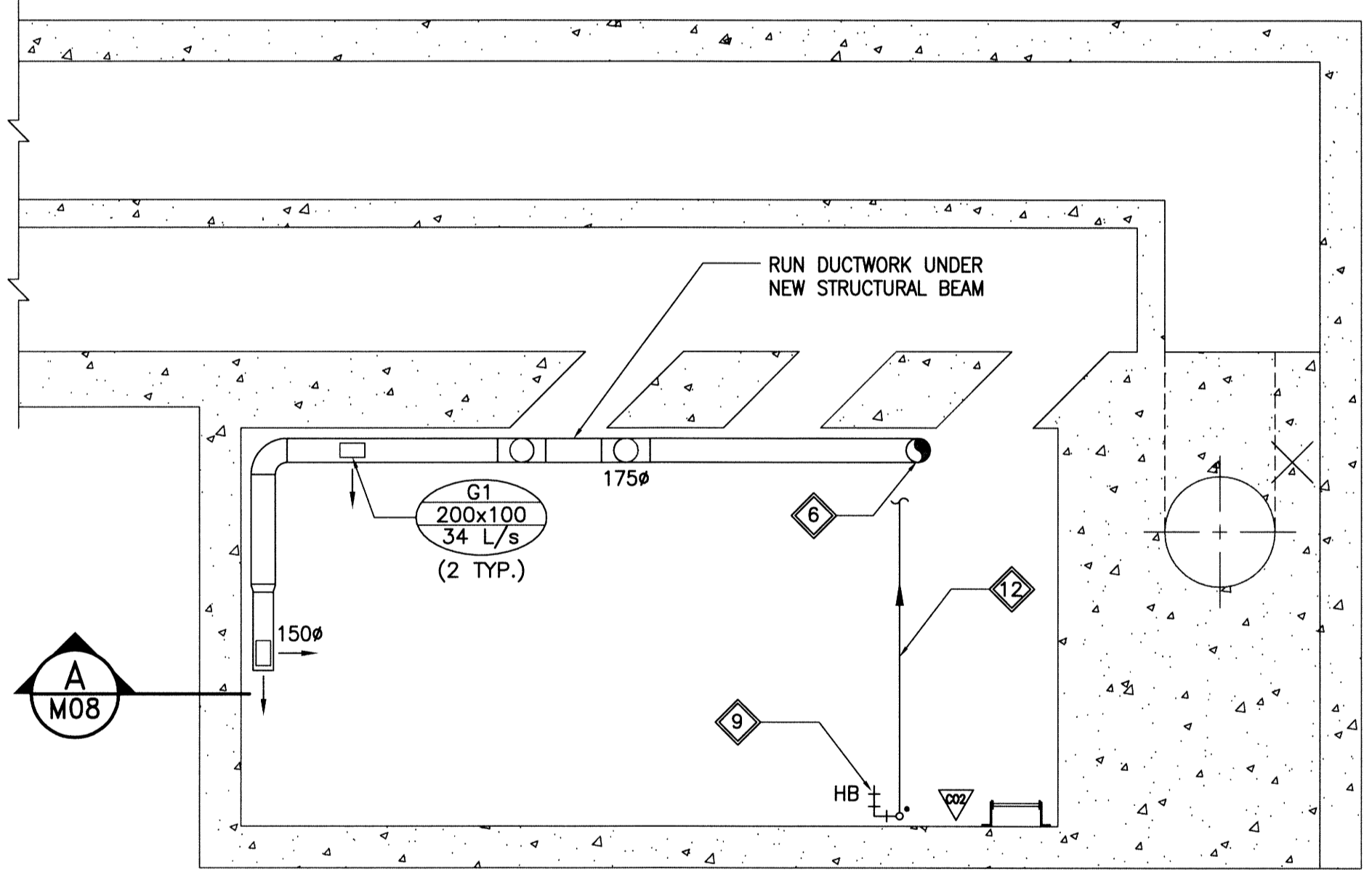


PLAN - LOWER LEVEL 1
SCALE: 1:40

DUCT HEATER SCHEDULE				
UNIT No.	MAKE & MODEL	CAPACITY (Kw)	VOLTS/PH/Hz	NOTES
HCE-L61	PRICE DF-CF00H	19	600/3/60	C/W SCR CONTROLLER, AIRFLOW SENSOR, AUTOMATIC THERMAL CUTOUT, TRANSFORMER, DUCT MOUNTED THERMOSTAT



PLAN - MOTOR ROOM
SCALE: 1:40



PLAN - PUMP ROOM
SCALE: 1:40

FAN SCHEDULE									
UNIT No.	SERVICE	MAKE & MODEL	LOCATION	CAPACITY (L/s)	ESP (Pa)	SPEED (RPM)	MOTOR (Kw)	VOLTS/PH/Hz	NOTES
SF-L61	SUPPLY	GREENHECK SQ100	LOWER LEVEL 1	301	127	1725	0.19	120/1/60	C/W SPEED CONTROLLER, MOUNTING HARDWARE, VIBRATION ISOLATION

GRILLE SCHEDULE		
GRILLE No.	MAKE & MODEL	COMMENTS
G1	PRICE 510D/SDF/L/A	SINGLE DEFLECTION SUPPLY C/W OPPOSED BLADE DAMPER
G2	PRICE DE635	C/W BIRDSCREEN

- GENERAL NOTES:**
- CONFORM TO NATIONAL PLUMBING CODE AND AUTHORITY HAVING JURISDICTION FOR DESIGN, SUPPLY AND INSTALLATION OF PLUMBING AND VENT SYSTEMS.
 - EQUIPMENT LOCATIONS, DUCT AND PIPE ROUTING INDICATED ON THE DRAWINGS IS APPROXIMATE ONLY. CONFIRM IN THE FIELD. REROUTE DUCTWORK AND PIPING AS REQUIRED TO ELIMINATE FIELD INTERFERENCES, WITH BUILDING STRUCTURES, ELECTRICAL, ETC. CONFIRM CHANGES WITH CONTRACT ADMINISTRATOR. COORDINATE WORK WITH ALL SUBTRADES. WHERE DIMENSIONS ARE INDICATED FOR PIPING, DUCTWORK, DUCT SIZES, EQUIPMENT SIZES, ETC. THESE ARE FOR BIDDING PURPOSES ONLY. THE CONTRACTOR IS RESPONSIBLE TO VERIFY ALL DIMENSIONS IN THE FIELD PRIOR TO ORDERING EQUIPMENT AND COMMENCING INSTALLATION WITHOUT EXTRA CHARGES TO THE PROJECT. THE CONTRACTOR IS RESPONSIBLE TO ENSURE ALL EQUIPMENT, DUCTWORK AND PIPING FITS IN THE SPACE AVAILABLE AND TO MAINTAIN THE GENERAL DESIGN INTENT FOR THE SYSTEMS.
 - PROVIDE CUTTING AND PATCHING AND ALL WALL PENETRATIONS. SEAL ALL WALL PENETRATIONS AND DUCTWORK WATER, AIR AND WEATHER TIGHT.
 - PERFORM WORK IN ACCORDANCE WITH ALL APPLICABLE CODES AND REGULATIONS AND CONFORM TO SMACNA STANDARDS FOR SUPPLY AND INSTALLATION OF DUCTWORK.
 - REVIEW EQUIPMENT LOCATIONS WITH CONTRACT ADMINISTRATOR PRIOR TO INSTALLATION.

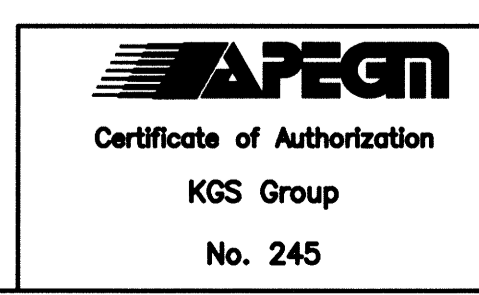
- KEYNOTES:**
- 300x300 INSULATED DUCT DOWN TO LOWER LEVEL 1.
 - MOUNT MOTORIZED DAMPERS FCV-L611-1 AND FCV-L611-2 AT HIGH LEVEL.
 - SUPPLY AIR AT FLOOR LEVEL AND DROP 150Ø DUCT THROUGH FLOOR TO COMMUNICATOR ROOM.
 - SIZE LOUVER AND MOTORIZED DAMPER TO MATCH EXISTING OPENING.
 - DROP 250Ø DUCT THROUGH FLOOR TO MOTOR ROOM.
 - 175Ø DUCT FROM MOTOR ROOM.
 - CONNECT NEW 20mm DOMESTIC WATER PIPING TO EXISTING SUPPLY. USE DIELECTRIC UNION. RUN NEW 20mm PIPING UP THROUGH FLOOR TO ELECTRICAL ROOM.
 - INSTALL BACKFLOW PREVENTER AND WATER METER ALONG WALL.
 - INSTALL HOSE BIBB IN HORIZONTAL RUN OF PIPE APPROX. 1000mm AFF.
 - DROP 20mm DOMESTIC WATER PIPE DOWN.
 - CORE 50mm OPENING FOR RELIEF AIR FROM COMMUNICATOR CHAMBER.
 - 19mm SEAL WATER PIPING TO SEWAGE PUMPS AND LEVEL SENSOR PIPING FLUSHING CONNECTION. RUN ACROSS PUMP ROOM AT CEILING. SUPPLY AND INSTALL PUMP SEAL WATER CONNECTION AND LEVEL SENSOR WATER CONNECTION ISOLATION VALVES. THEN CONNECT TO PUMP SEAL WATER AND LEVEL SENSOR FLUSH CONNECTIONS. COORDINATE PIPING LOCATION WITH THE CONTRACT ADMINISTRATOR TO MINIMIZE INTERFERENCE WITH MAN ACCESS TO PUMPS, VALVES AND LEVEL SENSORS.
 - 75mm VENT PIPE UP FROM COMMUNICATOR CHAMBER TO ELECTRICAL ROOM.
 - 75mm VENT PIPE UP FROM COMMUNICATOR CHAMBER. TERMINATE OUTSIDE BUILDING AT HIGH LEVEL. TURN DOWN AND COVER WITH WELDED SS INSECT SCREEN. COORDINATE EXACT ROUTING WITH ELECTRICAL AND STRUCTURAL.

LEGEND:

- DUCT HEATER
- MOTORIZED DAMPER
- SF SUPPLY FAN
- AF AIR FILTER
- G1 GRILLE NO.
- 200x100 NECK SIZE
- 44 L/s AIR FLOW
- AIR FLOW DIRECTION
- RECTANGULAR TO ROUND DUCT TRANSITION
- HB HOSE BIBB
- FIRE EXTINGUISHER

800 0 800 1600 2400 3200
SCALE: 1:40mm METRIC A1
1:80mm METRIC A3

METRIC
WHOLE NUMBERS INDICATE MILLIMETRES
DECIMALIZED NUMBERS INDICATE METRES



FIELD BOOK #:	
POSTED TO LBIS	
DESIGNED BY: DJ	CHECKED BY: <i>ADJ</i>
DRAWN BY: RP	APPROVED BY:
HDR SCALE: AS NOTED	RELEASED FOR CONSTRUCTION
VERTICAL SCALE: AS NOTED	K. ZURIK
ISSUED FOR CONSTRUCTION	14/06/16
NO. REVISIONS	DATE BY
	2013 07 24
	2014/06/16

ENGINEER'S SEAL
D.S. JHINGER
Member 23861
2014-06-18
M07

THE CITY OF WINNIPEG
WATER AND WASTE DEPARTMENT
AUBREY WASTEWATER PUMPING STATION UPGRADE
1016 PALMERSTON AVE.
MECHANICAL
HVAC & PLUMBING - PLANS

SHEET 1 OF 1
CITY DRAWING NUMBER
1-0116L-M0007-001