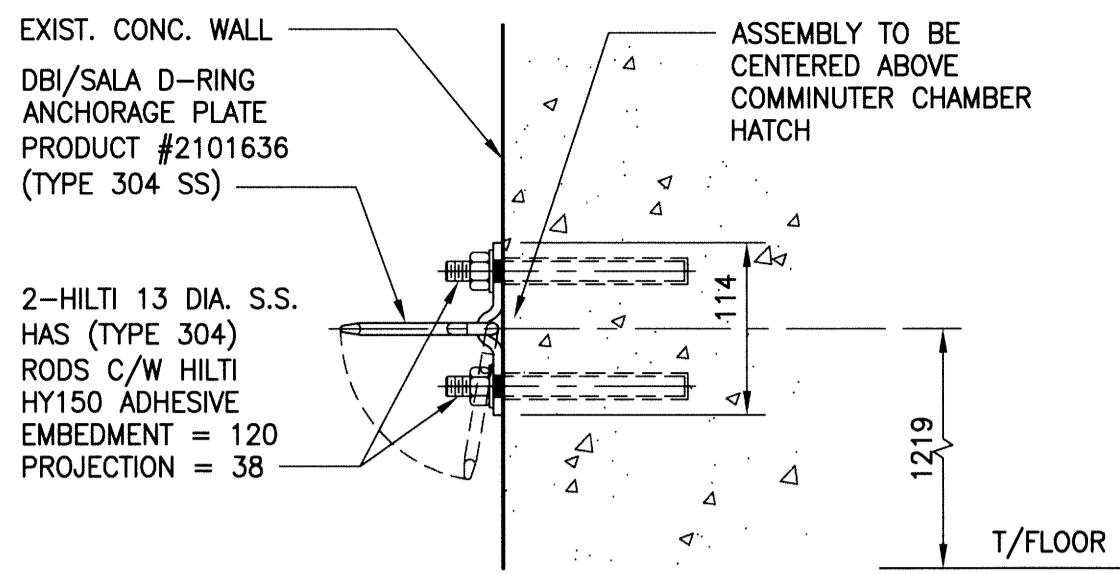
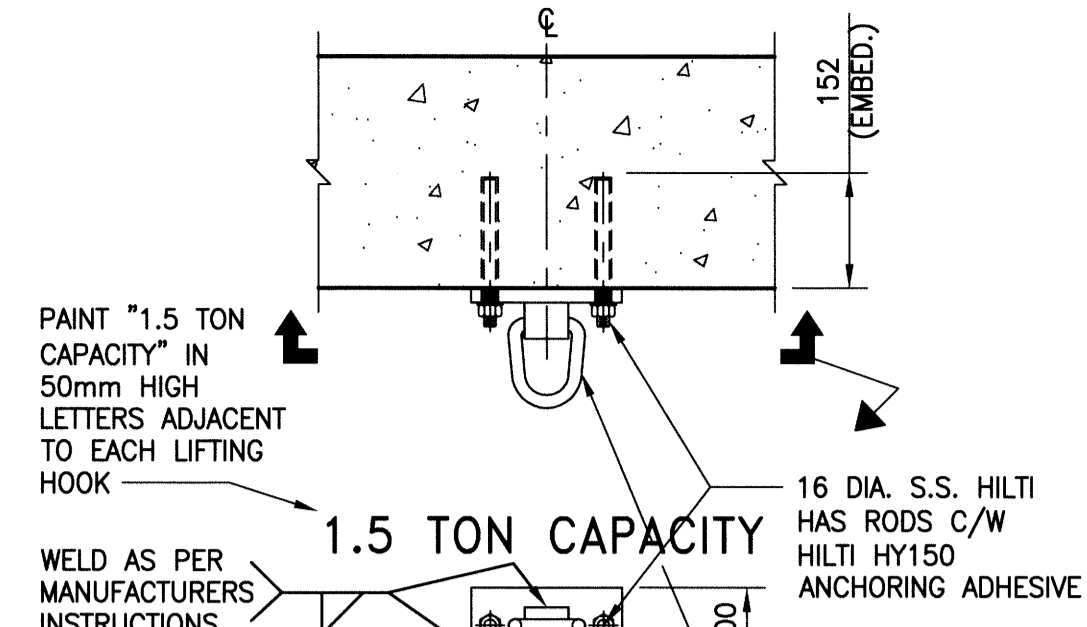


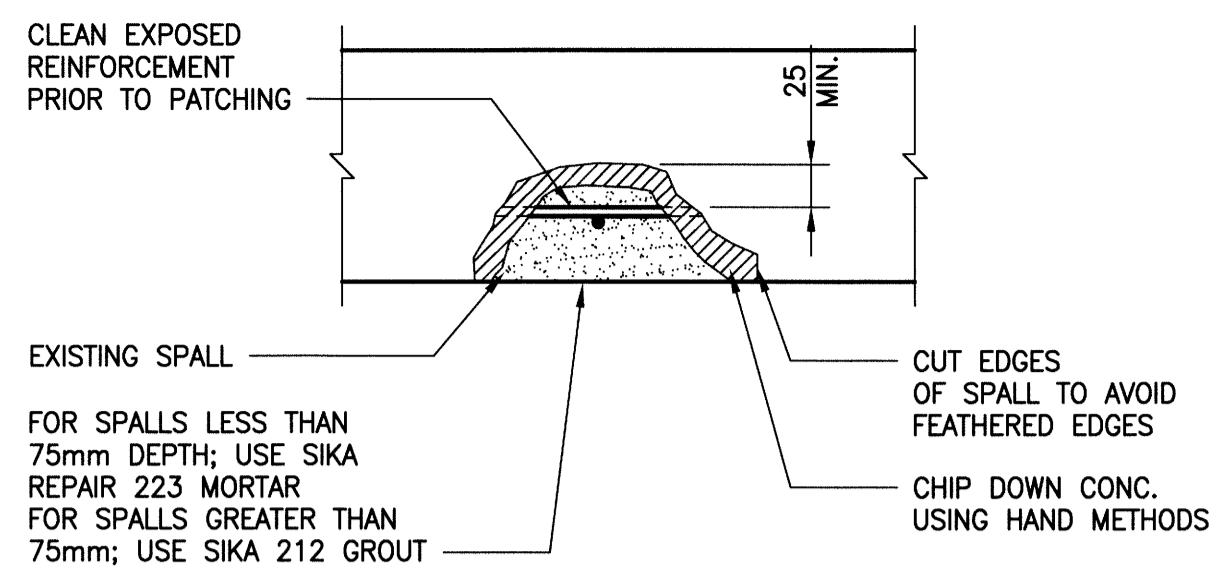
TYPICAL GUARDRAIL ELEVATIONS
SCALE: 1:20
NOTE: PAINT ALL GUARDRAIL & COMPONENTS SAFETY YELLOW



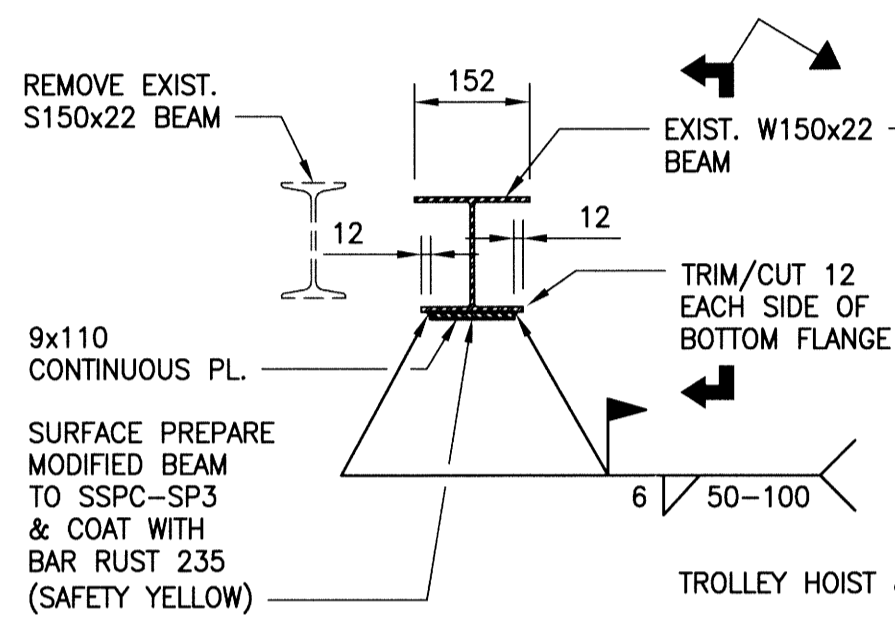
1 DETAIL
SCALE: 1:5



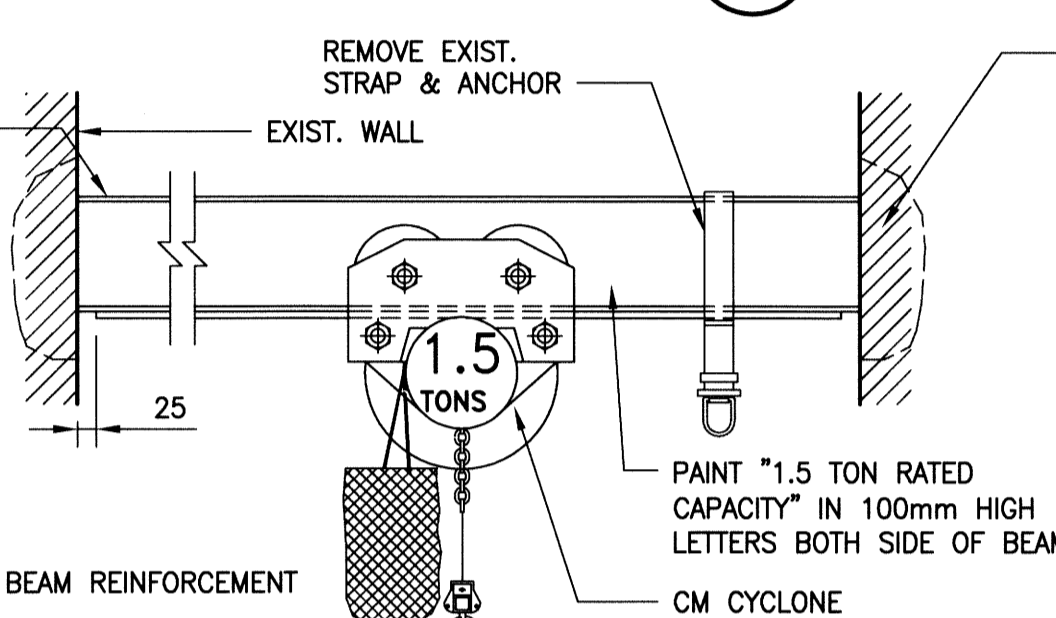
2 DETAIL
SCALE: 1:10



3 DETAIL
SCALE: 1:10



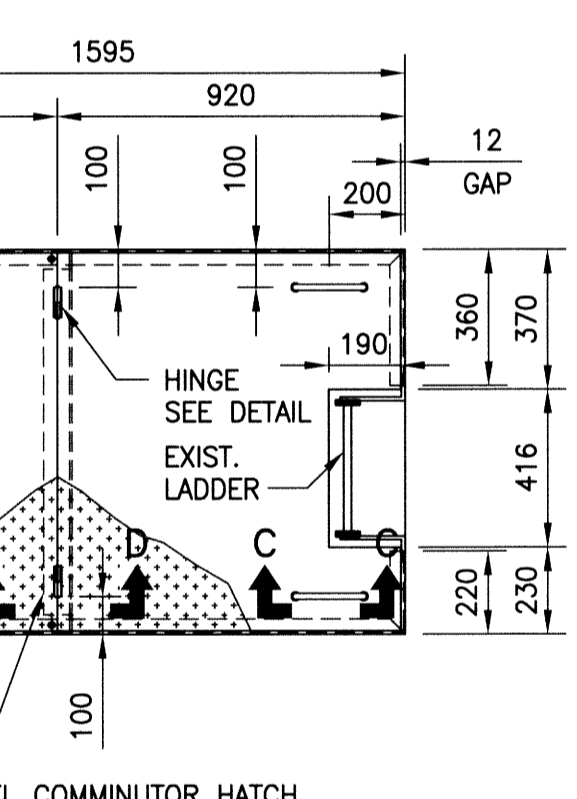
4 DETAIL
SCALE: 1:20



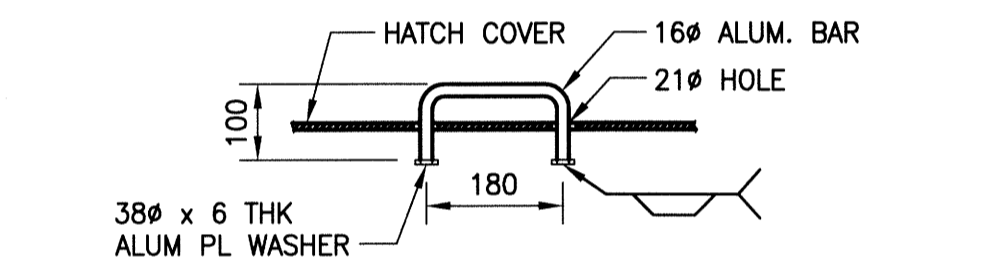
5 DETAIL
SCALE: 1:10



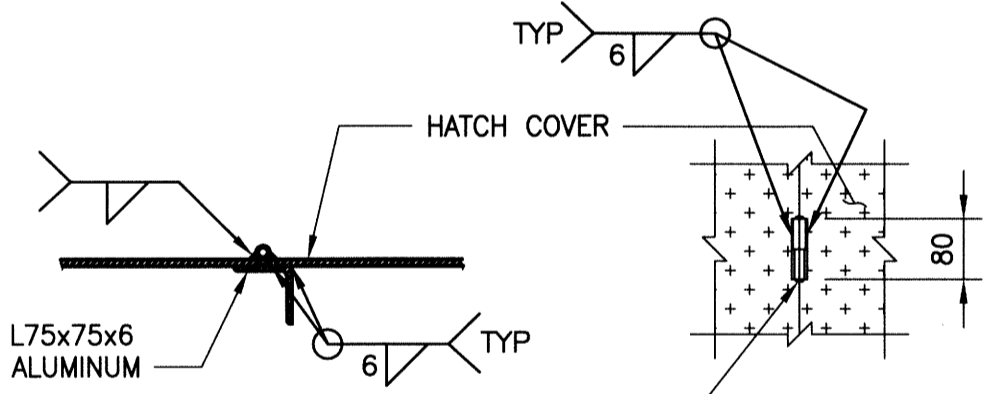
6 DETAIL
SCALE: 1:20



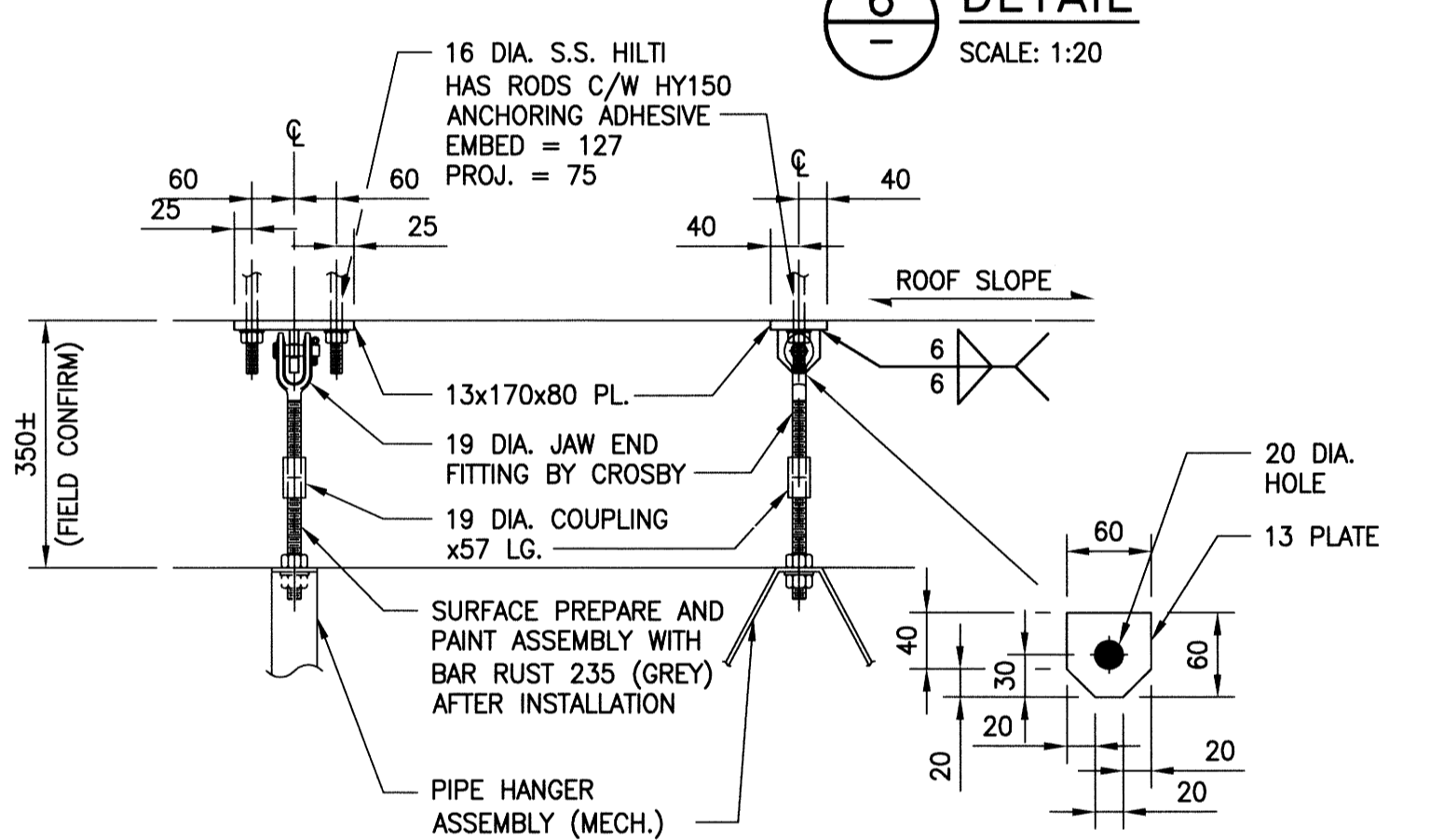
8A DETAIL
SCALE: 1:20



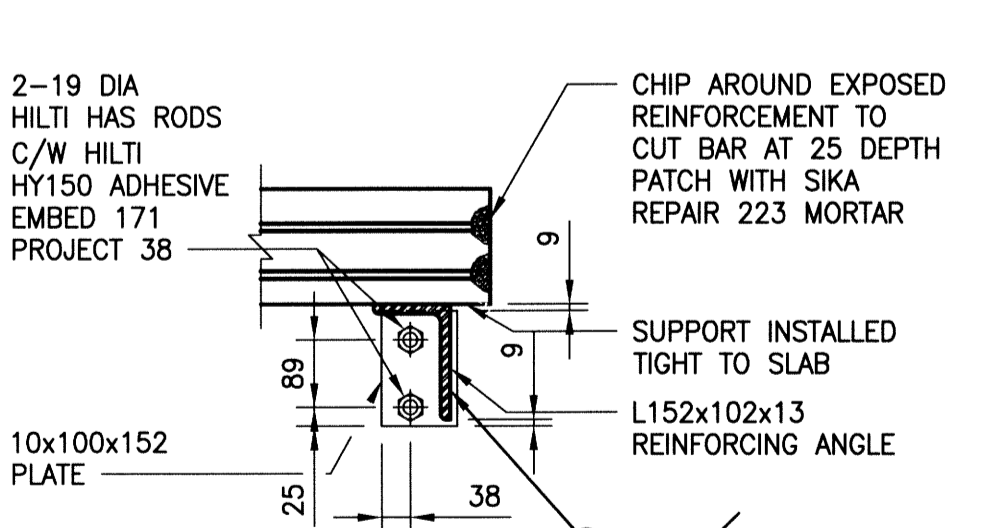
SECTION C-C - HANDLE (TYP.)
SCALE: 1:10



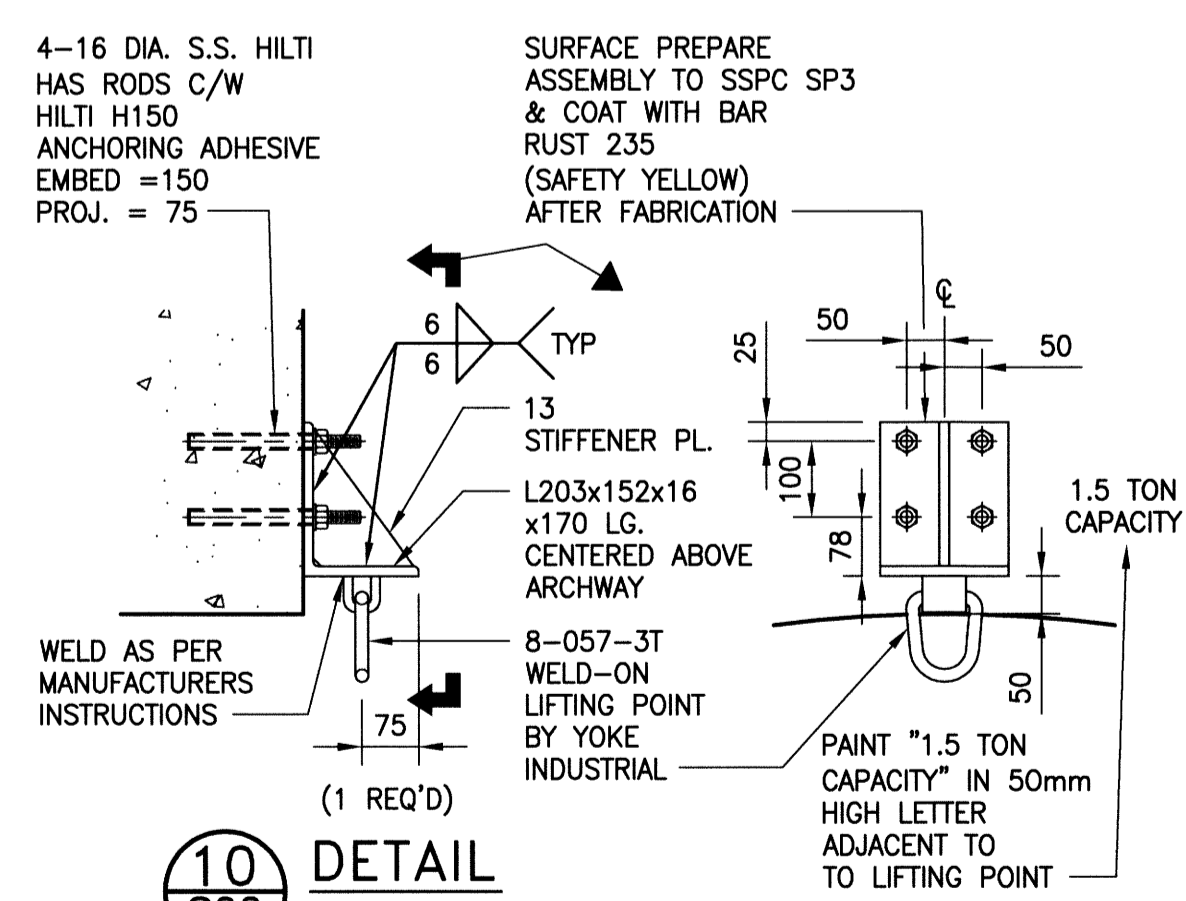
SECTION D-D DETAIL - HINGE
SCALE: 1:10



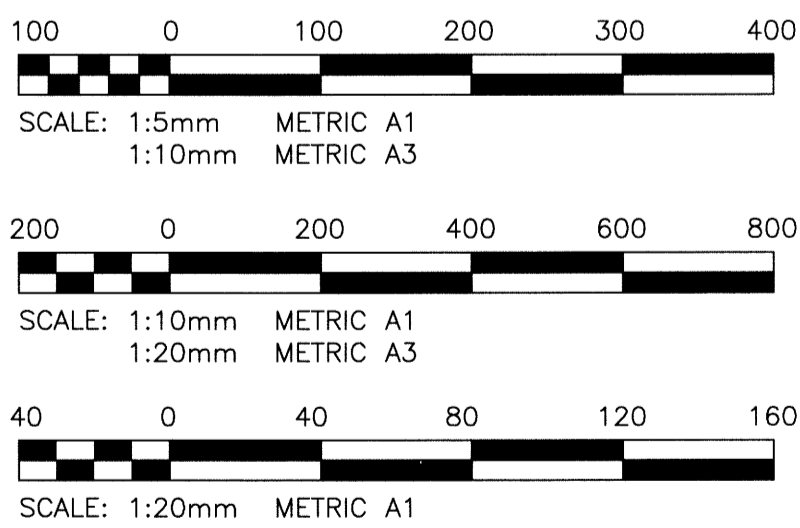
9 DETAIL - PIPE SUPPORT ANCHORS (5 REQ'D)
SCALE: 1:10



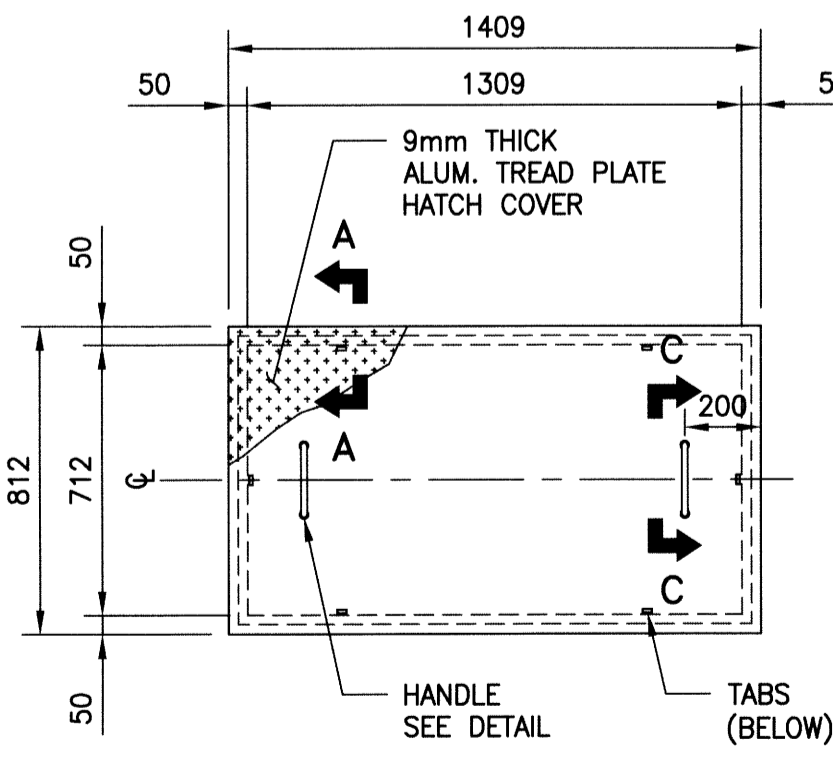
SECTION E-E
SCALE: 1:10



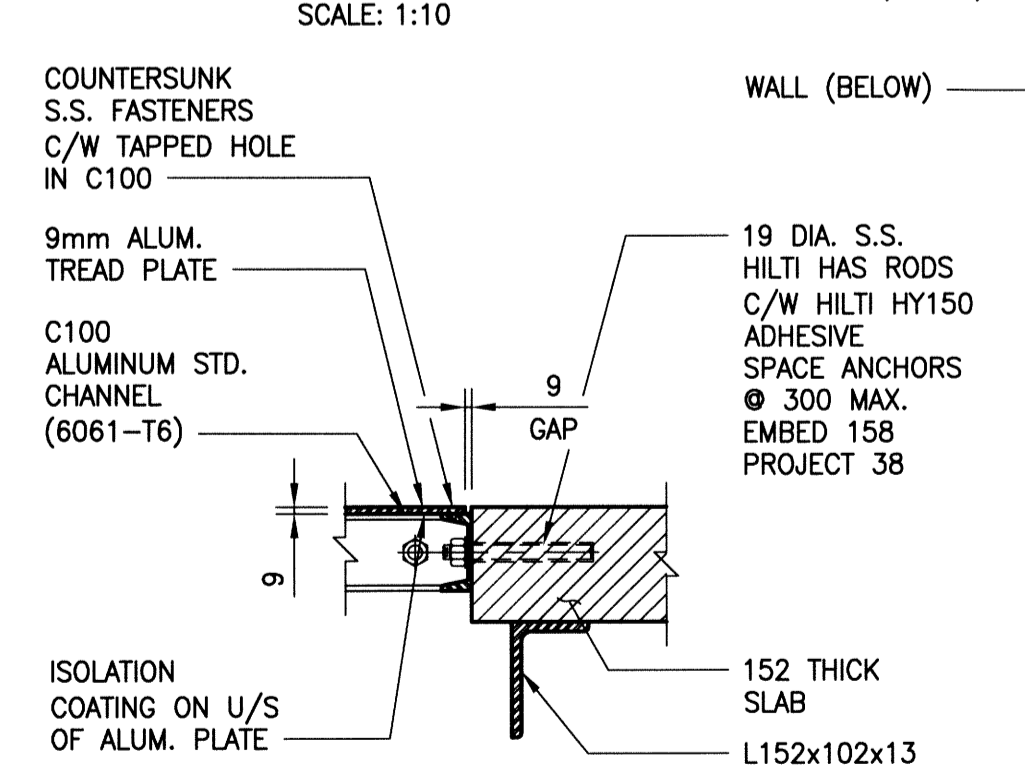
1002 DETAIL
SCALE: 1:10



METRIC
WHOLE NUMBERS INDICATE MILLIMETRES
DECIMALIZED NUMBERS INDICATE METRES

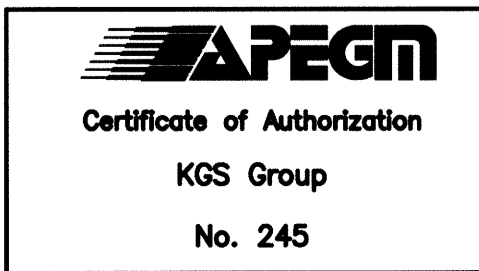


7 DETAIL
SCALE: 1:20



SECTION B-B
SCALE: 1:10

FIELD CONFIRM ALL DIMENSIONS
PRIOR TO FABRICATION.



FIELD BOOK #:		DESIGNED BY KRD		CHECKED BY CMS	
POSTED TO LBIS		DRAWN BY FBV		APPROVED BY	
0 ISSUED FOR CONSTRUCTION 14/06/16 CMS		HOR. SCALE AS NOTED		RELEASED FOR CONSTRUCTION K. ZUREK	
NO. REVISIONS		DATE		DATE	
		2013 07 18		2014 06 16	



THE CITY OF WINNIPEG
WATER AND WASTE DEPARTMENT

AUBREY WASTEWATER PUMPING STATION UPGRADE

1016 PALMERSTON AVE.

STRUCTURAL
SECTIONS AND DETAILS

SHEET 1 OF 1

CITY DRAWING NUMBER
1-0116L-S0003-001