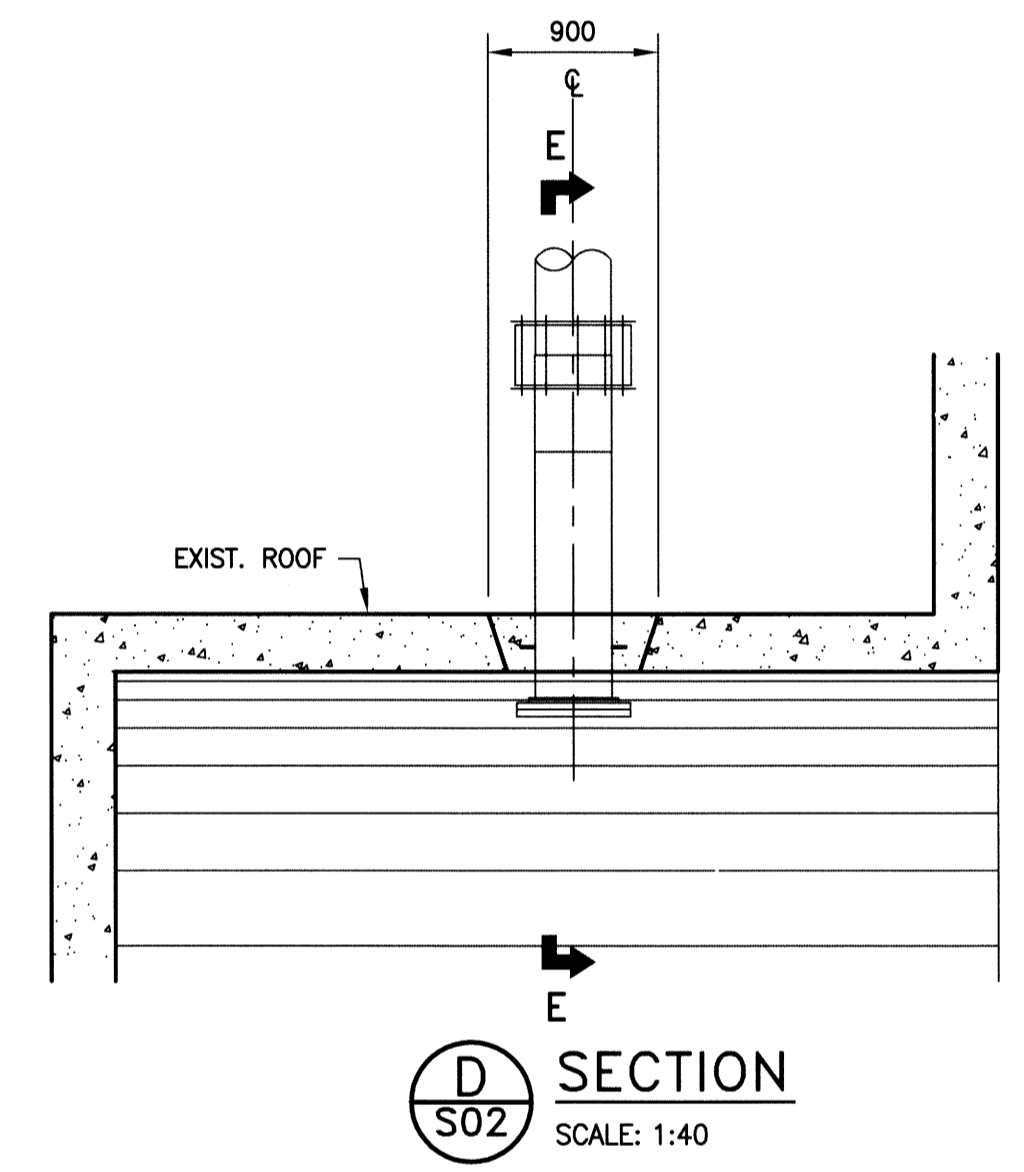
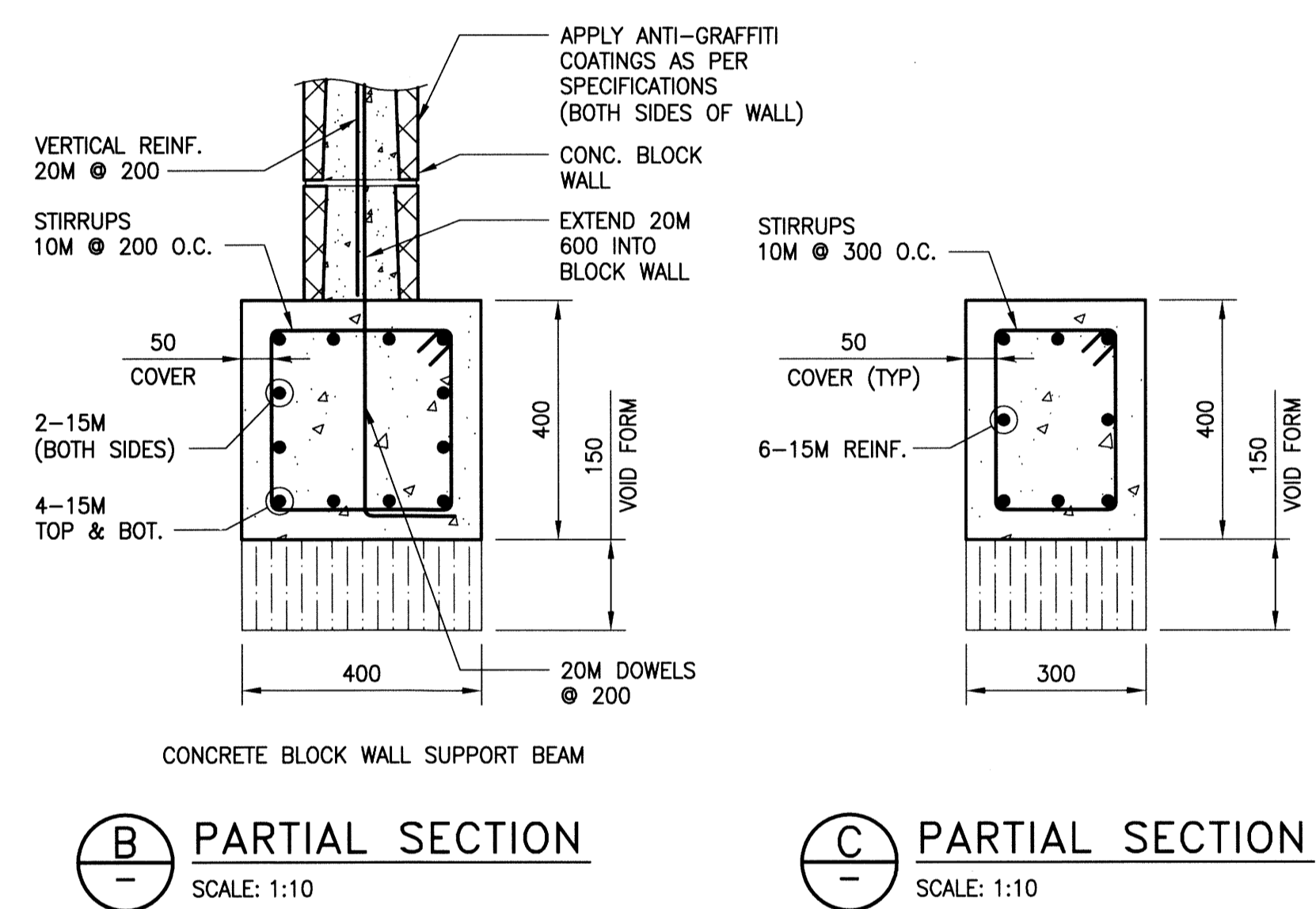
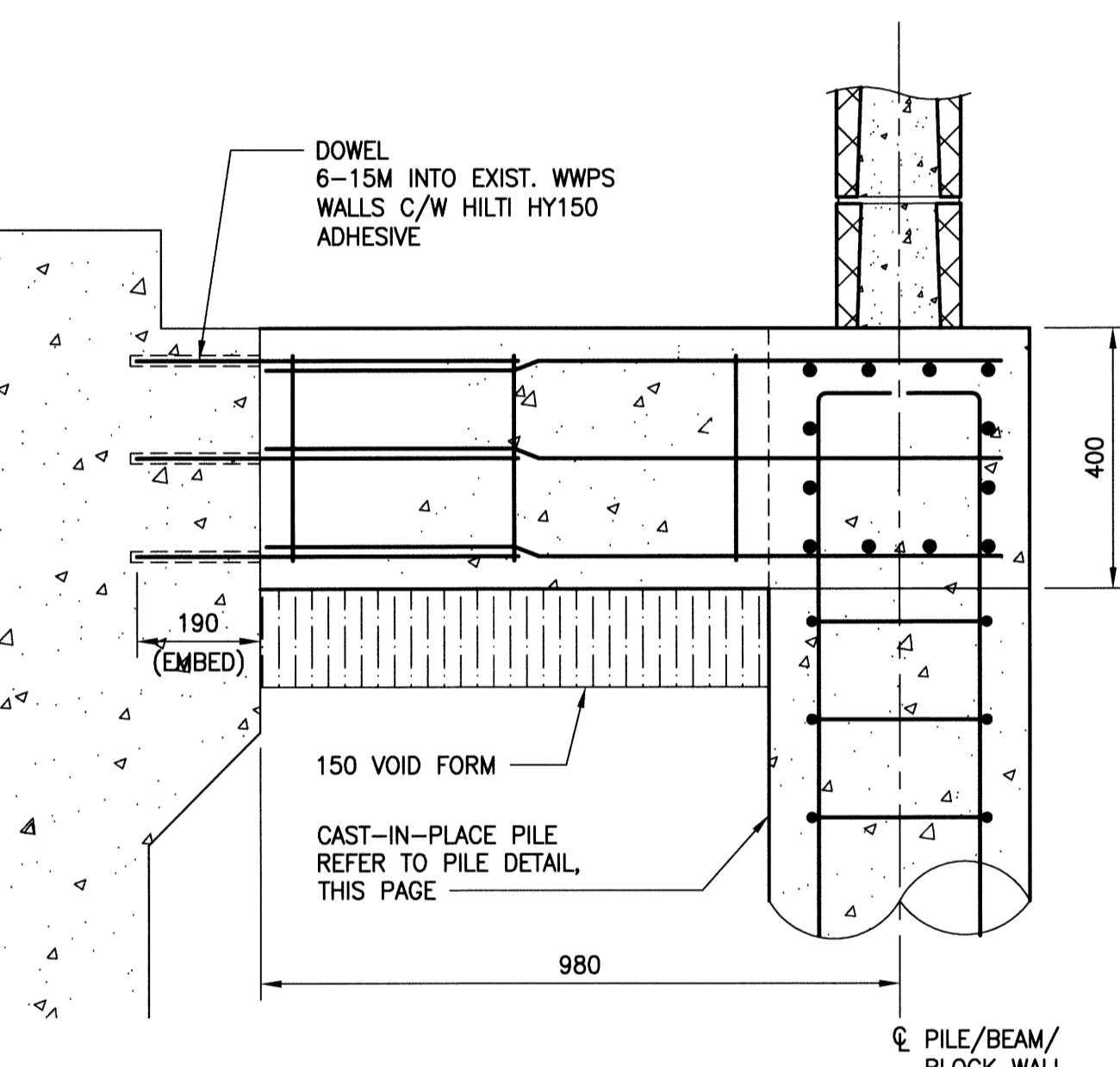


FOUNDATIONS (C.I.P. CONCRETE PILES):

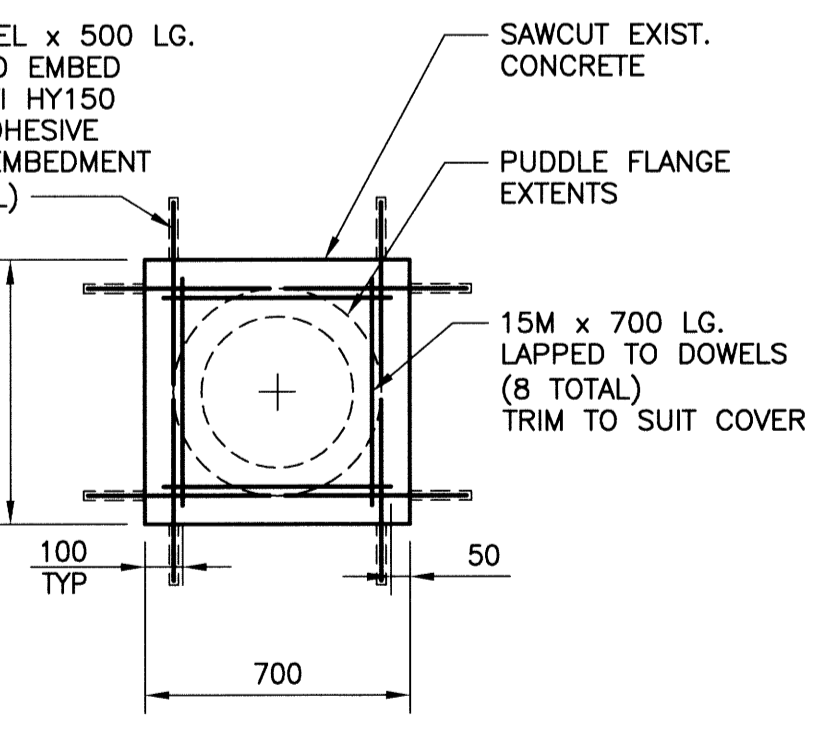
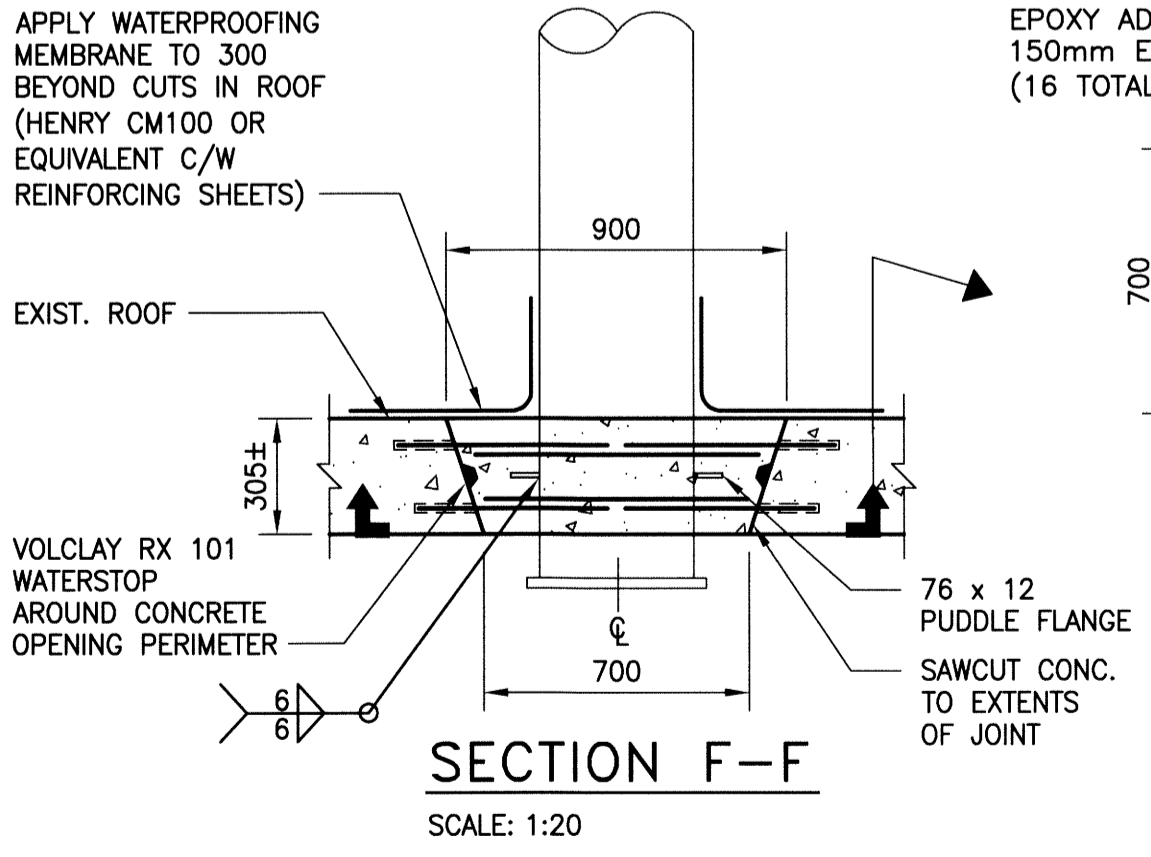
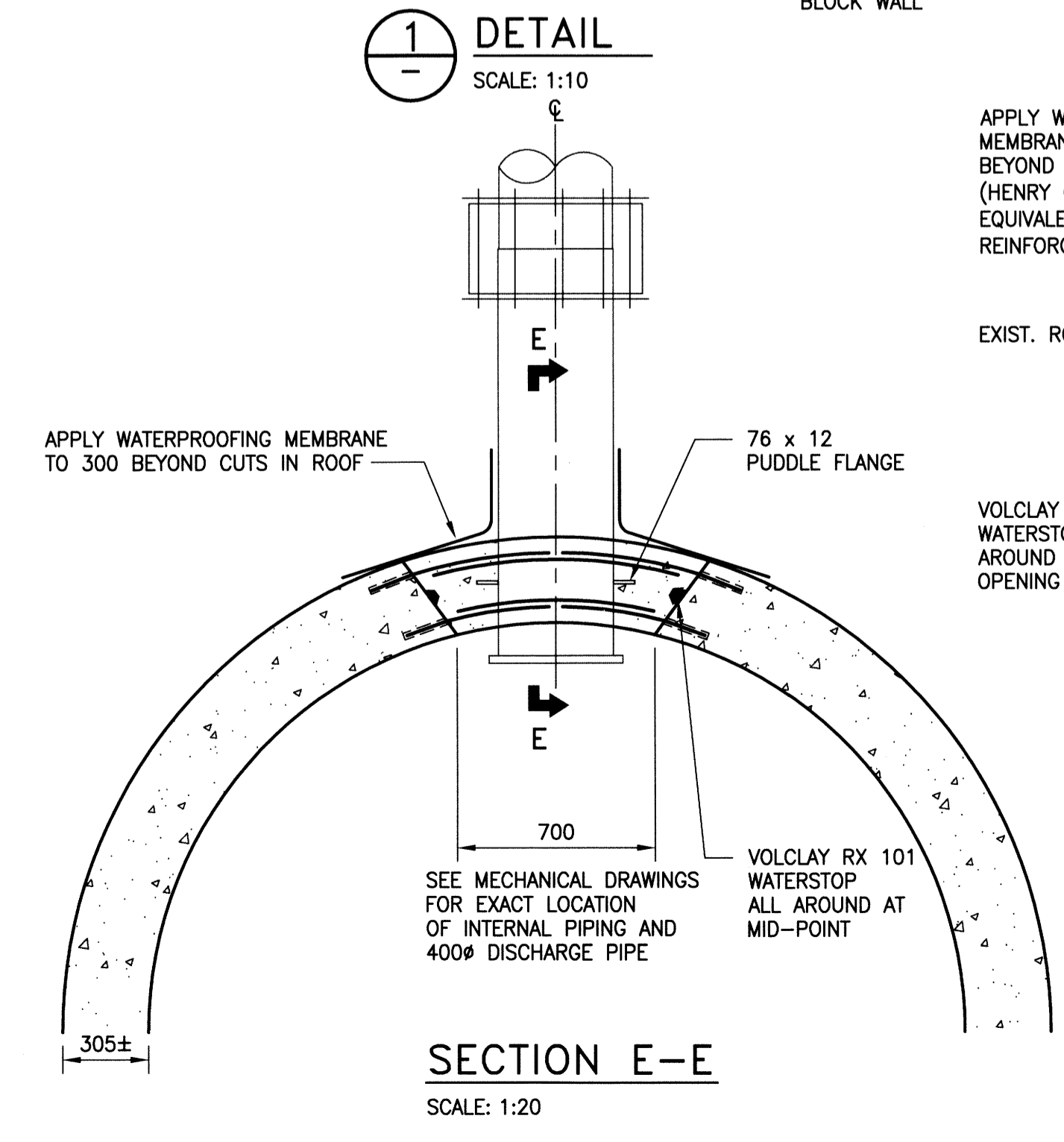
1. THIS DRAWING SHALL BE READ IN CONJUNCTION WITH THE CONTRACT DOCUMENTS AND THE PILING SPECIFICATION.
2. FOUNDATIONS SHALL BE CAST-IN-PLACE CONCRETE FRICTION PILES AS SHOWN ON DRAWINGS.
3. THE PILING CONTRACTOR SHALL BE RESPONSIBLE TO VERIFY THE EXISTENCE AND LOCATION OF ALL UNDERGROUND SERVICES IN PILING AREA WHETHER SHOWN OR NOT. EXPOSE ALL SERVICES CLOSE TO PILING AS REQUIRED.
4. PILES SHALL NOT BE MORE THAN 50mm OUT OF POSITION Laterally AT THE TOP AND NOT MORE THAN 2% OUT OF PLUMB.
5. REINFORCE ALL PILES AS DETAILED ON THE DRAWINGS. REFER TO CONCRETE NOTES FOR CONCRETE REQUIREMENTS. INSTALL EACH PILE AS A CONTINUOUS POUR.
6. VIBRATE TOP 4.5m OF CONCRETE IN ALL PILES.
7. SLEEVING WHERE REQUIRED SHALL BE INCLUDED IN THE PILING CONTRACT.

UNIT MASONRY:

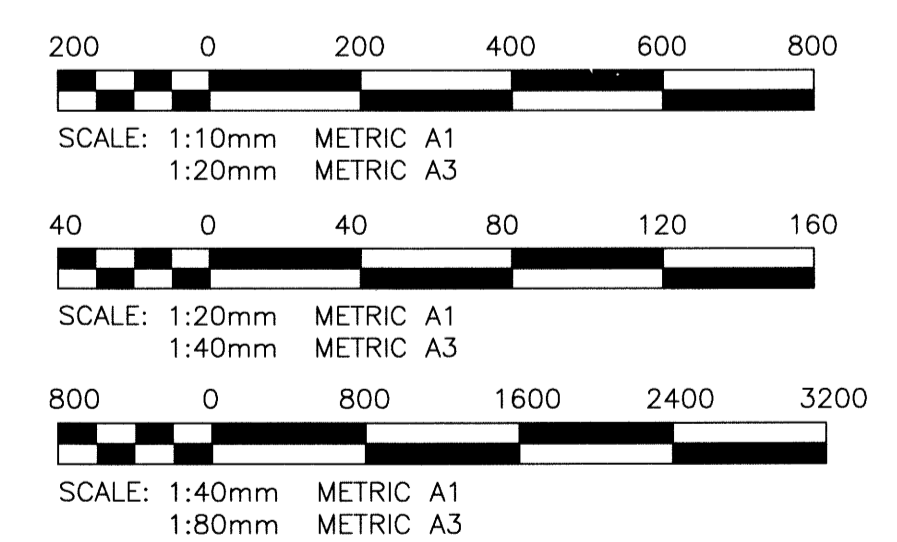
1. MASONRY UNITS SHALL BE MANUFACTURED IN ACCORDANCE WITH CAN/CSA A165.1 (LATEST). CONSTRUCT MASONRY IN ACCORDANCE WITH CAN/CSA A371 (LATEST). CONNECTORS SHALL BE IN ACCORDANCE WITH CAN/CSA A370 (LATEST).
2. MORTAR SHALL BE TYPE 'S' AND MANUFACTURED TO CAN/CSA A179 (LATEST). ADMIXTURES SHALL NOT BE USED WITHOUT WRITTEN APPROVAL FROM THE CONTRACT ADMINISTRATOR.
3. GROUT IN-FILL SHALL HAVE A MINIMUM COMPRESSIVE STRENGTH OF 12.5 MPa AT 28 DAYS BY CYLINDER TEST AS PER CAN/CSA A179 (LATEST); MAXIMUM AGGREGATE SIZE 10mm; SLUMP 100mm (HORIZONTAL IN-FILL) 200mm (VERTICAL IN-FILL), AIR 1%-3%.
4. PROVIDE CLEAN-OUTS AT BOTTOM OF ALL FILLED CORE LIFTS. REMOVE ALL MORTAR FLASH AND DROPPINGS FROM CORES PRIOR TO IN-FILLING. VIBRATE OR TAMP ALL GROUT FILL. LIFTS SHALL NOT EXCEED 2000mm UNLESS APPROVED BY CONTRACT ADMINISTRATOR.
5. PROVIDE 3.89mm (9 GA.) LADDER TYPE 'DUR-O-WAL' (OR EQUAL) HORIZONTAL JOINT REINFORCEMENT AT EVERY SECOND COURSE. EXTERIOR WALL/VENEER REINFORCEMENT TO BE HOT-DIPPED GALVANIZED. MINIMUM JOINT REINFG. LAP 150mm. DISCONTINUE JOINT REINFG. AT CONTROL JOINTS. SEE DRAWING NOTES AND DETAILS FOR ADDITIONAL CORE/COURSE REINFG.
6. INSTALL ALL BLOCK IN RUNNING BOND PATTERN. TOOL ALL MORTAR JOINTS CONCAVE.
7. MASONRY CONTRACTOR SHALL BE RESPONSIBLE FOR DESIGN, SUPPLY AND ERECTION OF ALL TEMPORARY GUYING AND BRACING REQUIRED TO STABILIZE MASONRY WALLS. BRACING SHALL REMAIN IN PLACE UNTIL AFTER STEEL DECKING/PLYWOOD ROOF SHEATHING HAVE BEEN INSTALLED.



1 DETAIL
SCALE: 1:10



FIELD CONFIRM ALL DIMENSIONS PRIOR TO FABRICATION.

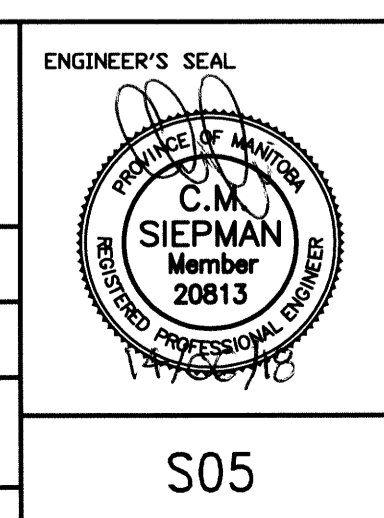


METRIC

WHOLE NUMBERS INDICATE MILLIMETRES
DECIMALIZED NUMBERS INDICATE METRES



FIELD BOOK #		KGS GROUP CONSULTING ENGINEERS		ENGINEER'S SEAL	
POSTED TO LBIS		DESIGNED BY	KRD	CHECKED BY	CMS
		DRAWN BY	FBV	APPROVED BY	
		HR. SCALE	AS NOTED	RELEASED FOR CONSTRUCTION	K. ZUREK
0	ISSUED FOR CONSTRUCTION	14/06/16	CMS	VERTICAL AS NOTED	
NO.	REVISIONS	DATE	BY	DATE	2013 07 18
				DATE	2014 06 16



THE CITY OF WINNIPEG
WATER AND WASTE DEPARTMENT

AUBREY WASTEWATER PUMPING STATION UPGRADE

1016 PALMERSTON AVE.

STRUCTURAL
SECTIONS AND DETAILS

SHEET 1 OF 1
CITY DRAWING NUMBER
1-0116L-S0003-003