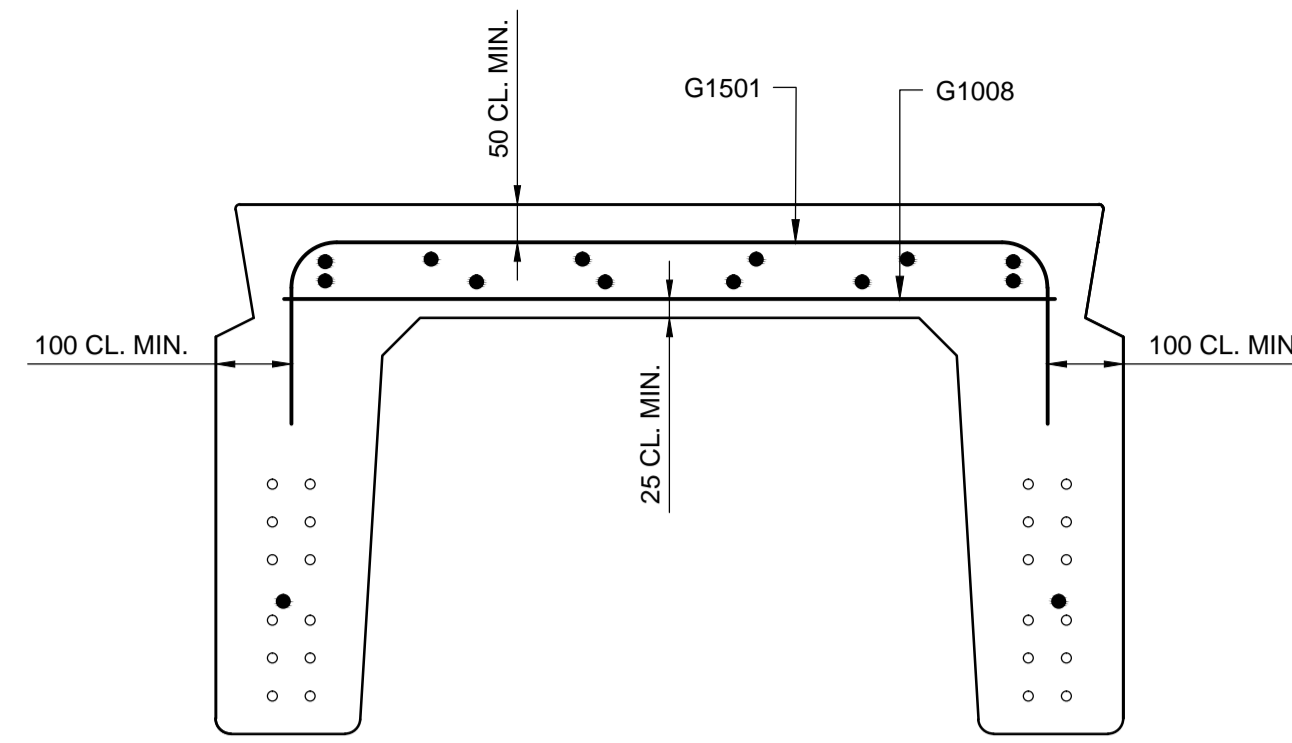
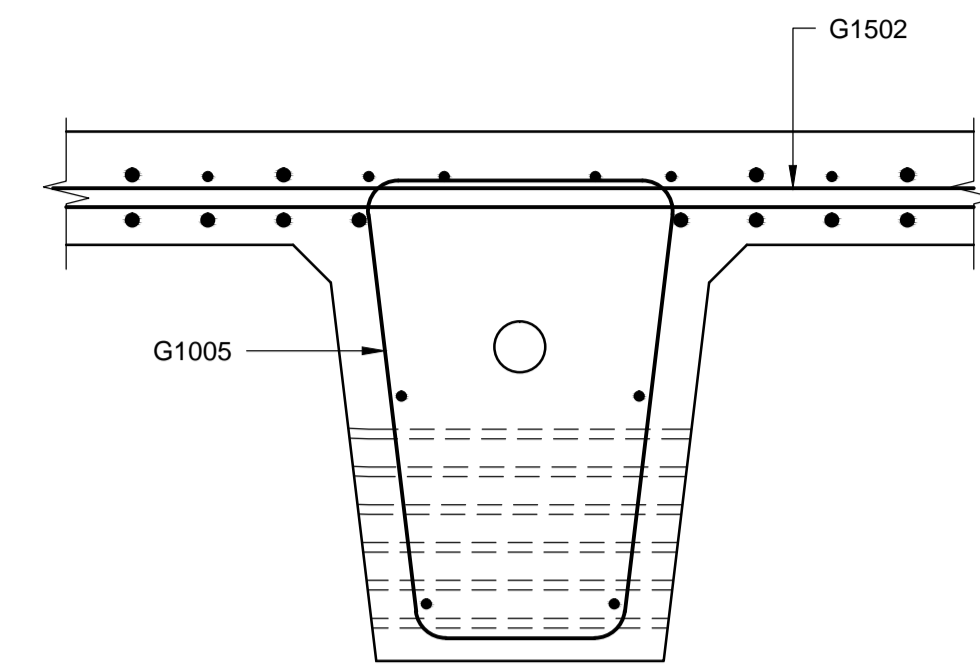


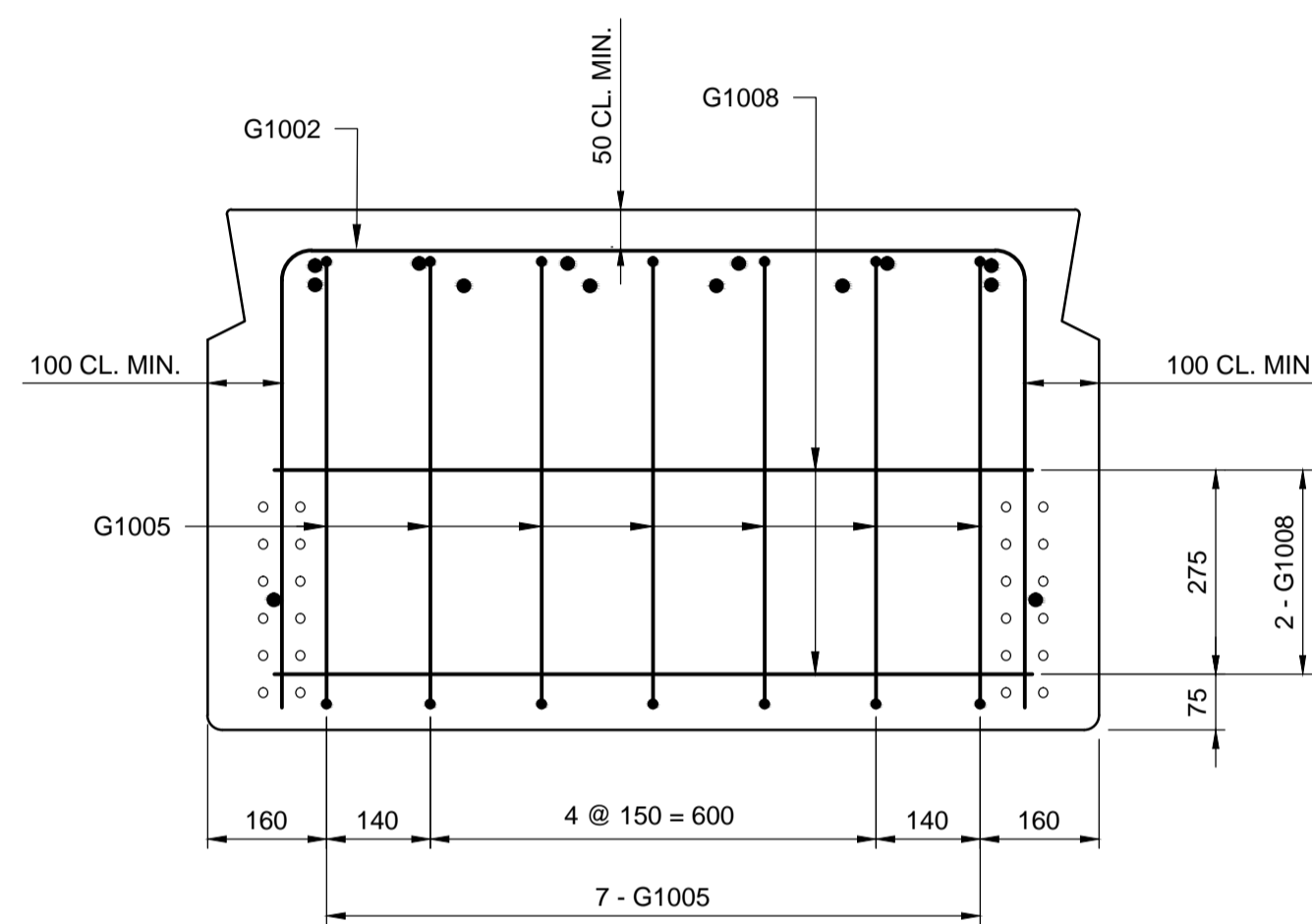
A SECTION
14 1:10



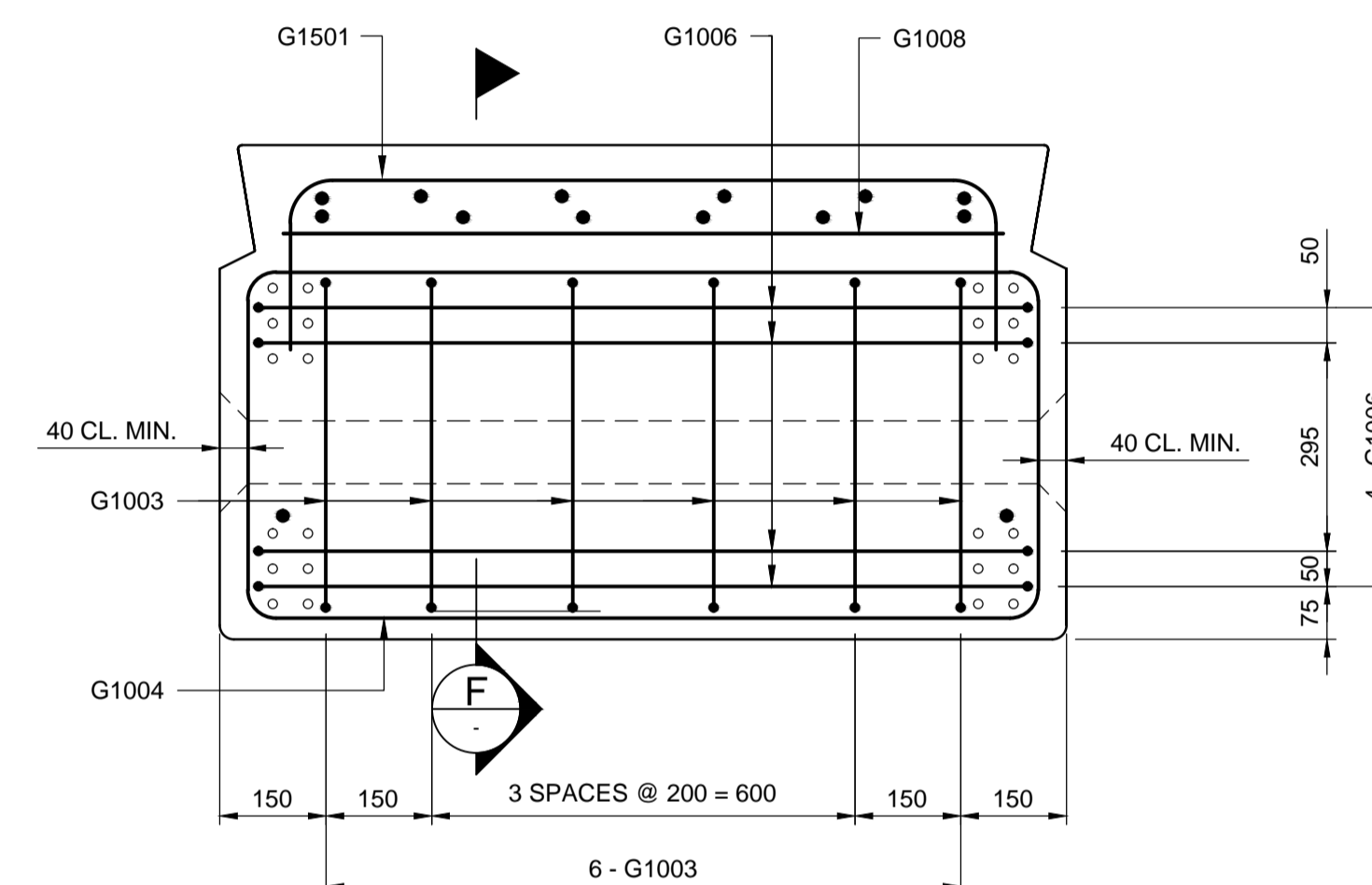
B SECTION
14 1:10



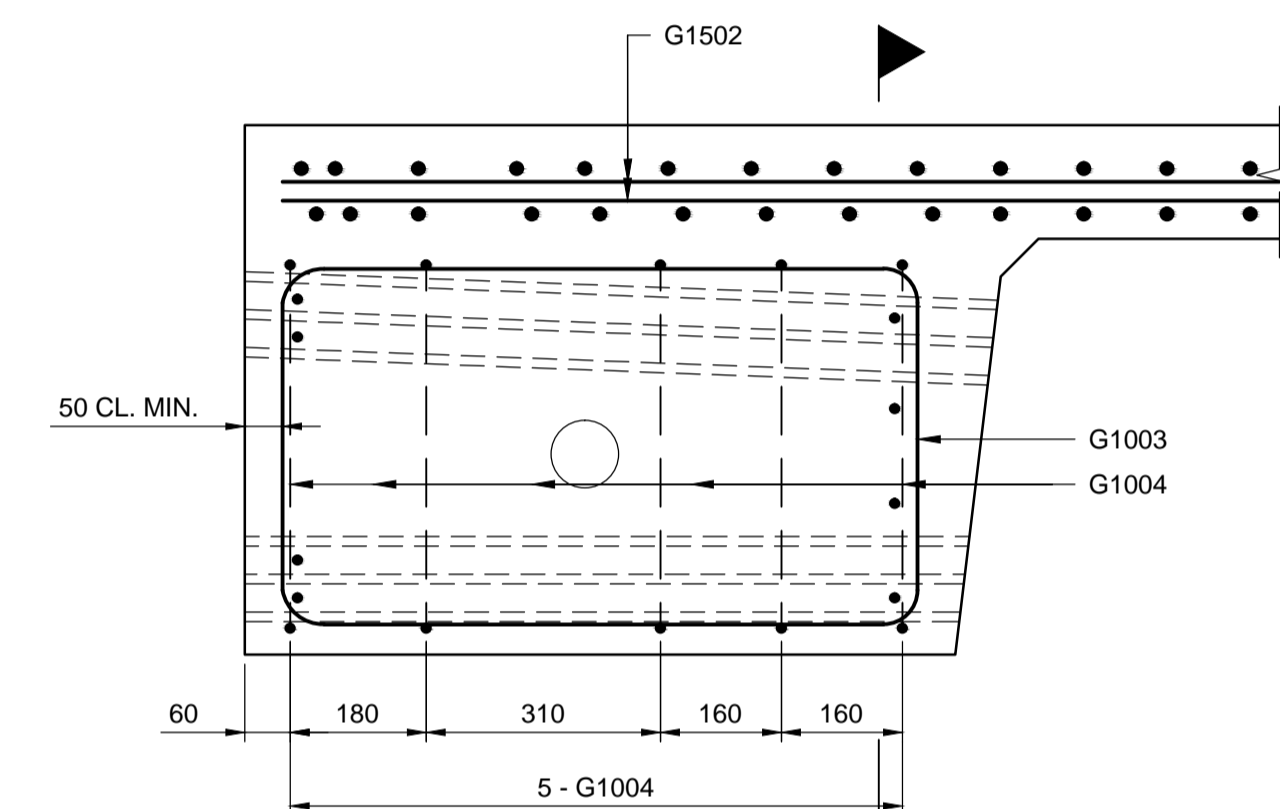
C SECTION
14 1:10



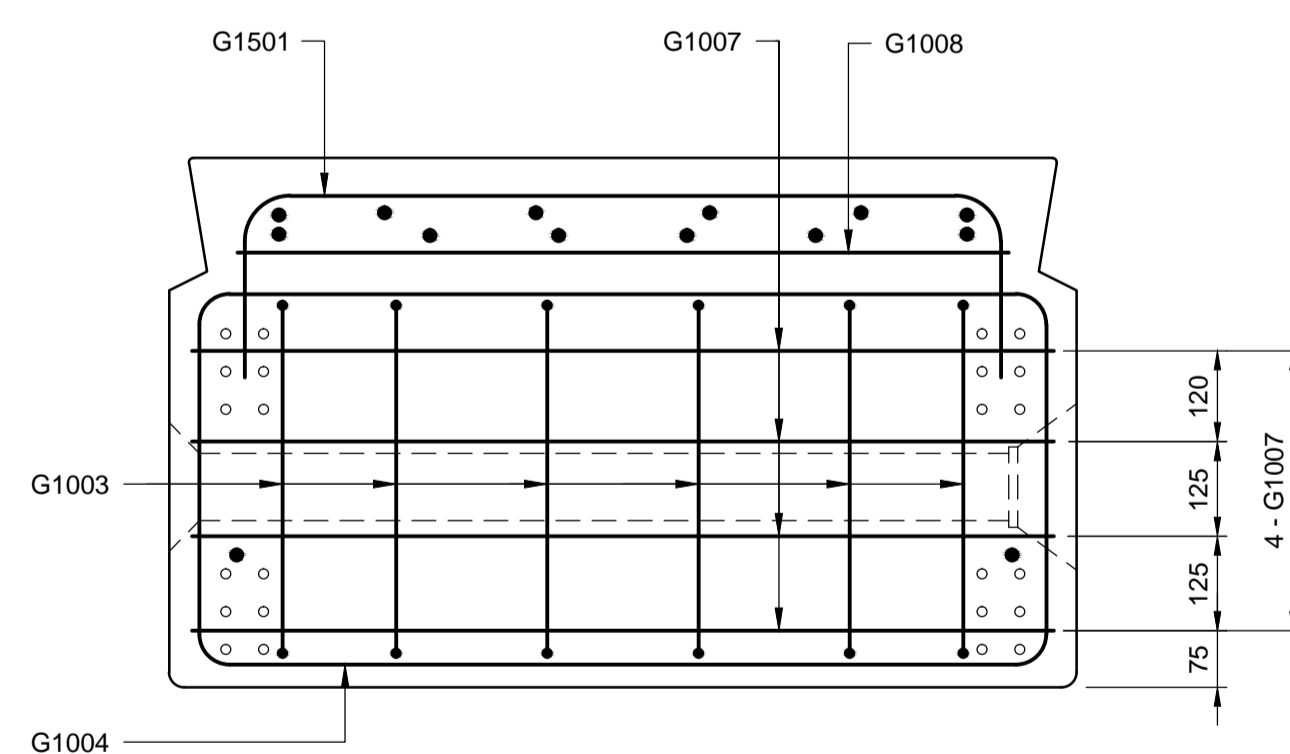
D SECTION
14 1:10



E SECTION
14 1:10



F SECTION
14 1:10



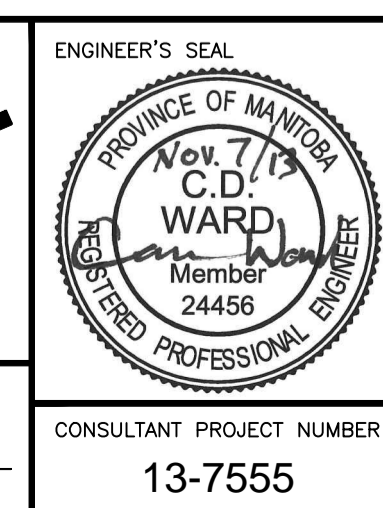
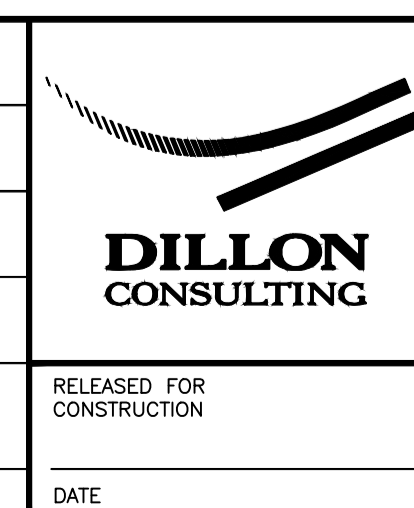
G SECTION
14 1:10

METRIC

WHOLE NUMBERS INDICATE MILLIMETRES
DECIMALIZED NUMBERS INDICATE METRES



B.M. ELEV.	DESIGNED BY	CDW
	DRAWN BY	CGC
	CHECKED BY	SSR
	APPROVED BY	MBL
	HOR. SCALE	AS SHOWN
	VERTICAL SCALE	AS SHOWN
0 ISSUED FOR TENDER	DATE	13/11/07
NO. REVISIONS	DATE	BY



THE CITY OF WINNIPEG
PUBLIC WORKS DEPARTMENT

RECONSTRUCTION OF THE ST. JAMES STREET BRIDGE OVER OMAND'S CREEK

GIRDERS 5 OF 5

CITY DRAWING NUMBER: B126-13- 15
SHEET 15 OF 26
CONSULTANT DRAWING NUMBER

CONSULTANT PROJECT NUMBER: 13-7555