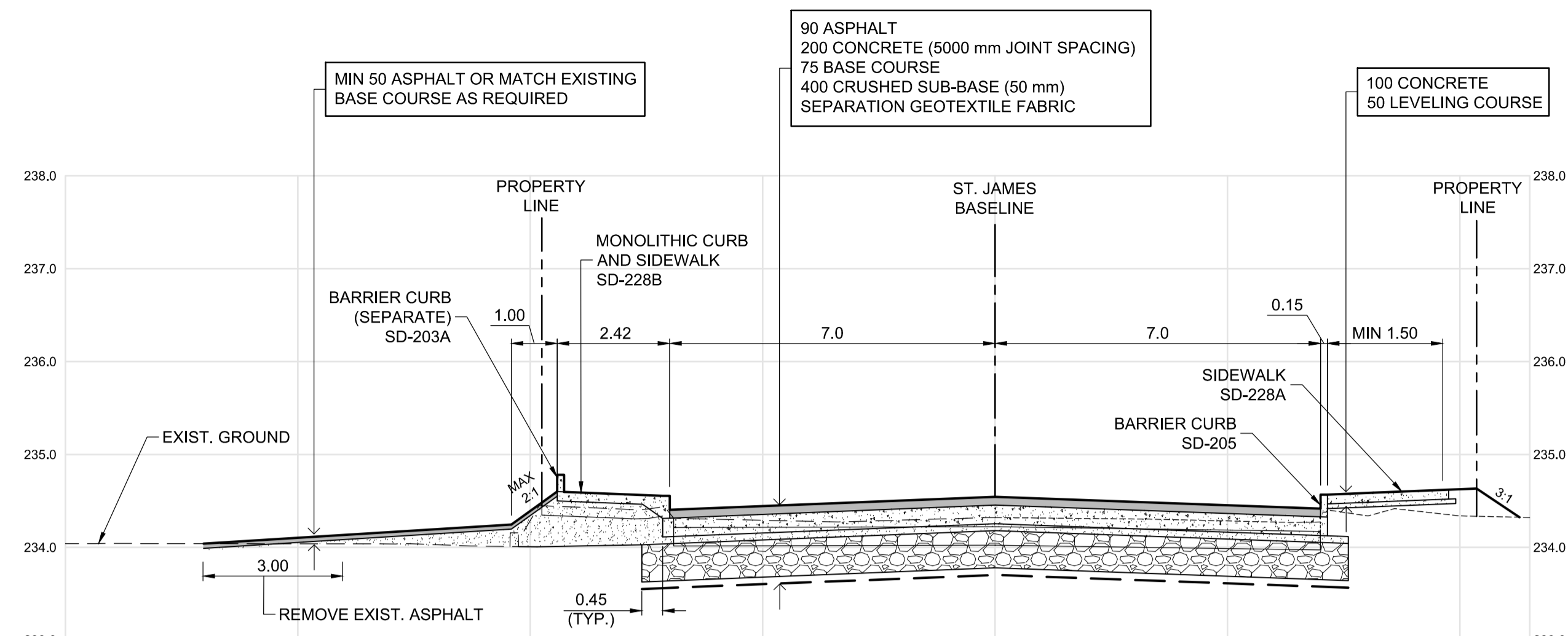
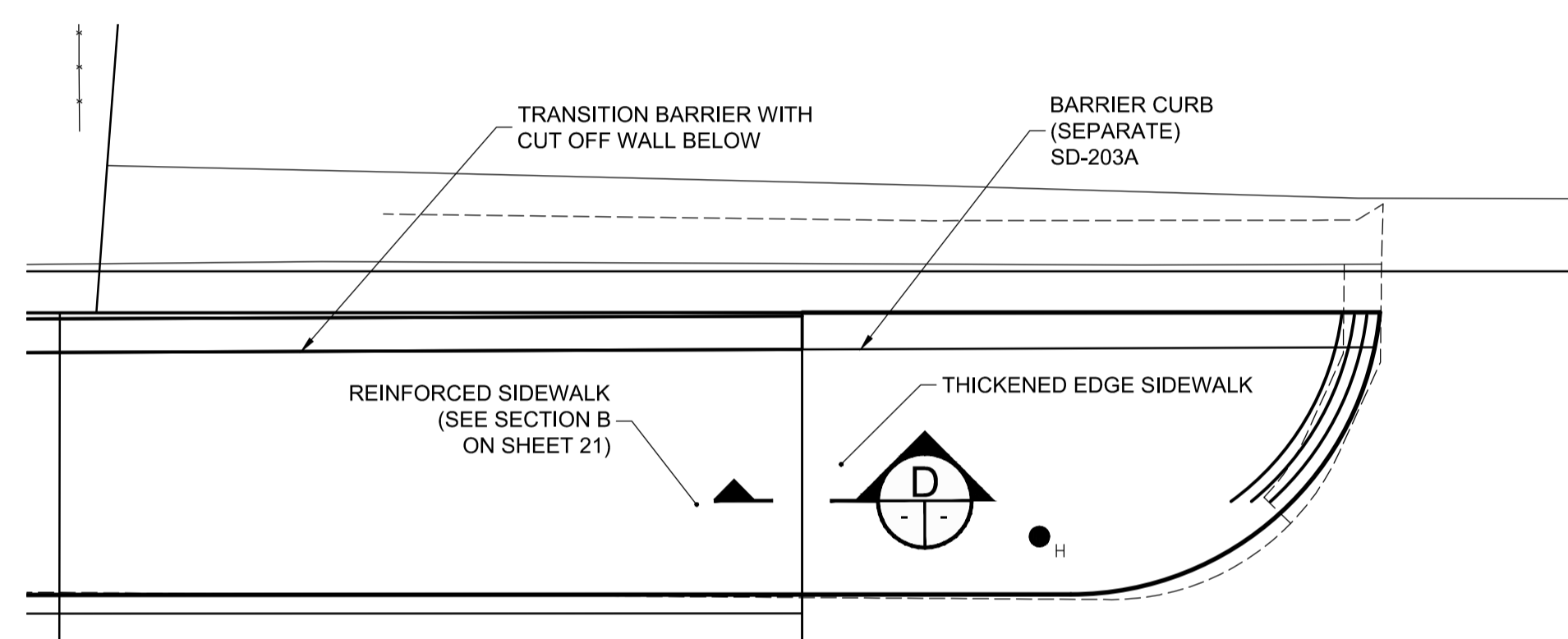


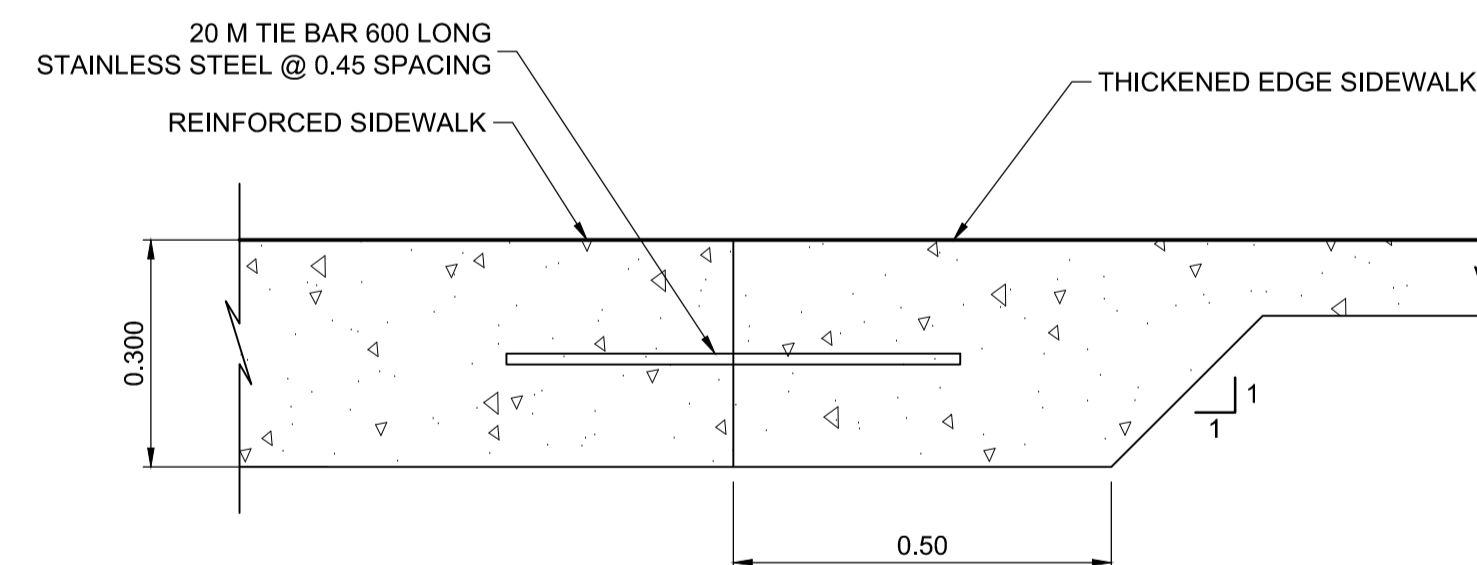
A SECTION - STA: 0+955
SCALE HORZ 1:100 VERT 1:50



B SECTION - STA: 1+020
SCALE HORZ 1:100 VERT 1:50



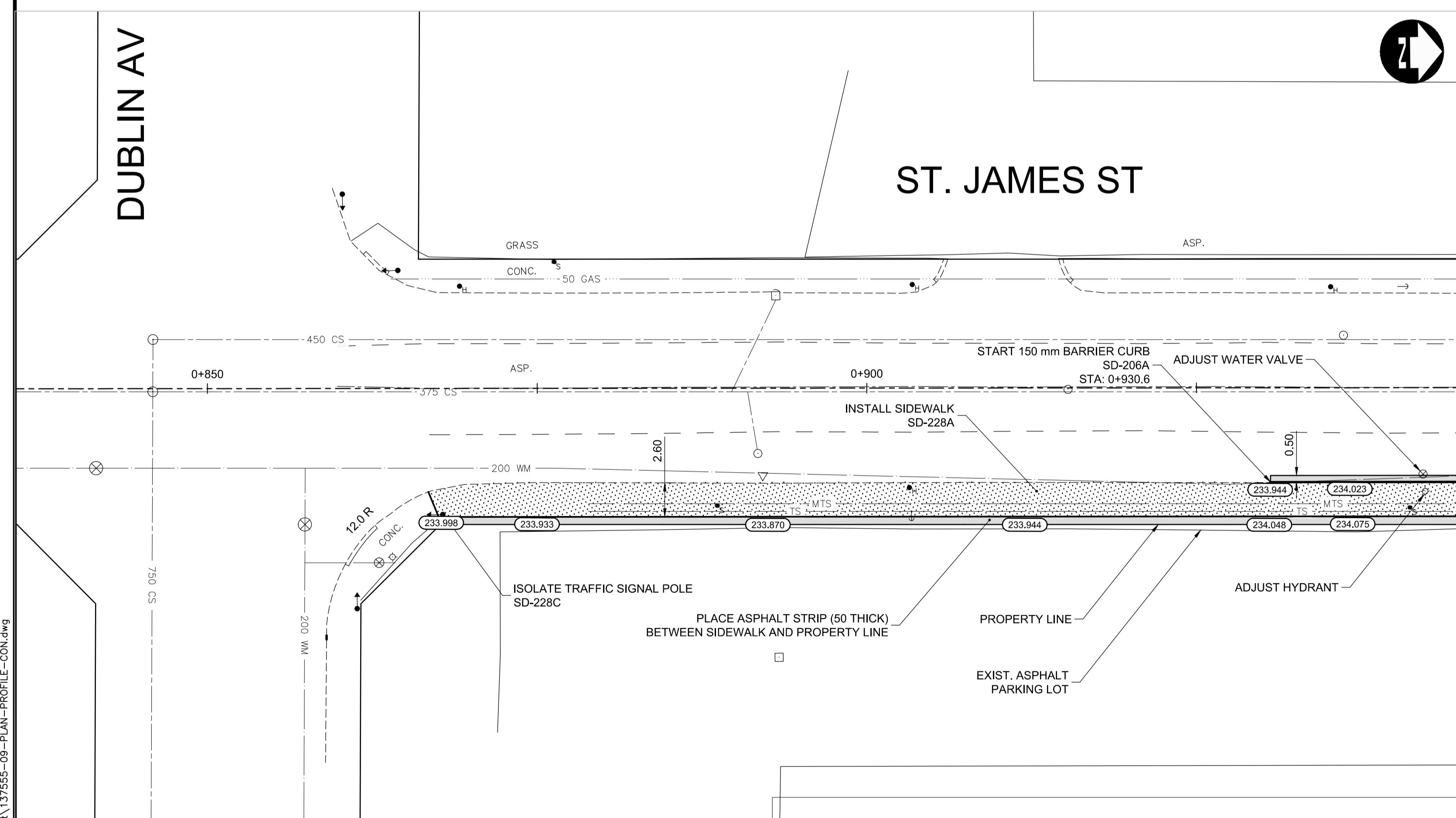
C DETAIL - THICKEND CONCRETE SIDEWALK
SCALE 1:50



D SECTION - THICKENED EDGE SIDEWALK (TYP. 4 LOCATIONS)
SCALE 1:10

DUBLIN AV

ST. JAMES ST



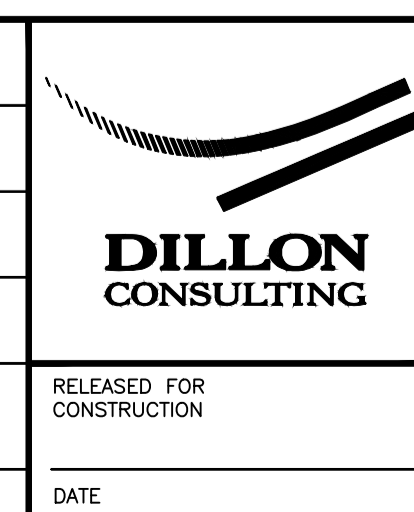
150 WM	WATERMAIN	150 WM	MTS	M.T.S.	MTS	150 mm W.M.	WATERMAIN	150 mm W.M.
	HYDRANT VALVE			CONCRETE			HYDRANT VALVE	
	LAND DRAINAGE SEWER			ASPHALT			LAND DRAINAGE SEWER	
	WASTE WATER SEWER			PLANING			WASTE WATER SEWER	
	MANHOLE			SIDEWALK			MANHOLE	
	CATCH BASIN			PAVING STONES			CATCH BASIN	
	TEST HOLES			PROPERTY LINE			TEST HOLES	
	JUNCTIONS			SURVEY BAR			JUNCTIONS	
	CULVERT			CURB RAMP			CULVERT	
	100 GAS			DITCH			GAS	
	250 WWS			SWALE			GAS	
	EXISTING		PROPOSED	EXISTING	LEGEND-PLAN		LEGEND-PROFILE	

UNDERGROUND STRUCTURES
SUPV. U/G STRUCTURES COMMITTEE DATE

NOTE:
LOCATION OF UNDERGROUND STRUCTURES AS SHOWN ARE BASED ON THE BEST INFORMATION AVAILABLE BUT NO GUARANTEE IS GIVEN THAT ALL EXISTING UTILITIES ARE SHOWN OR THAT THE GIVEN LOCATIONS ARE EXACT. CONFIRMATION OF EXISTENCE AND EXACT LOCATION OF ALL SERVICES MUST BE OBTAINED FROM THE INDIVIDUAL UTILITIES BEFORE PROCEEDING WITH CONSTRUCTION.

B.M. 654528	N. 5530389.775	E. 628804.737
ELEV. 234.079 m		
DESIGNED BY	PMW	
DRAWN BY	PMW	
CHECKED BY	MRD	
APPROVED BY	MBL	
HOR. SCALE	1:250	
VERTICAL	1:10	
ISSUED FOR TENDER	13/11/07	SSR
NO. REVISIONS	DATE	BY
		13/11/07

RELEASED FOR CONSTRUCTION



ENGINEER'S SEAL
PROVINCE OF MANITOBA
Mark R. DOUCET
Member 22306
REGISTERED PROFESSIONAL ENGINEER

THE CITY OF WINNIPEG
PUBLIC WORKS DEPARTMENT

RECONSTRUCTION OF THE ST. JAMES STREET BRIDGE OVER OMAND'S CREEK

ROADWAY - PLAN, CROSS SECTIONS & DETAILS

CITY DRAWING NUMBER B126-13-22
SHEET 22 OF 26
CONSULTANT DRAWING NUMBER

CONSULTANT PROJECT NUMBER 13-7555



METRIC
WHOLE NUMBERS INDICATE MILLIMETRES
DECIMALIZED NUMBERS INDICATE METRES

G:\CAD\137555\09-Structural\01-Contract\137555-09-PLAN-PROFILE-CON.dwg