

**MATERIALS**

**COMPOSITE SLATS:**

- 100mm x 100mm COMPOSITE BOARDS
- CEDAR TONE FINISH

**METAL OPTIONS:**

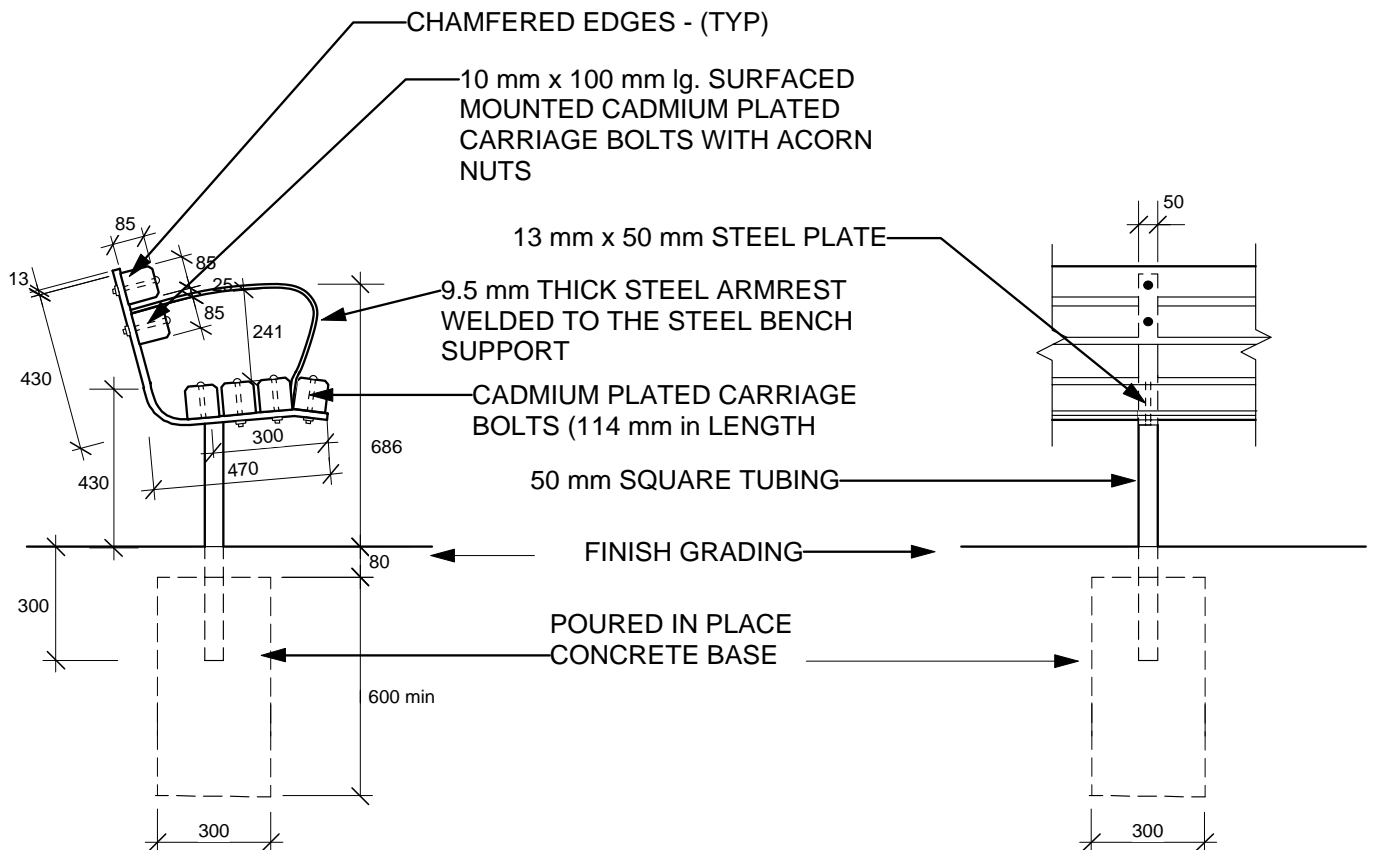
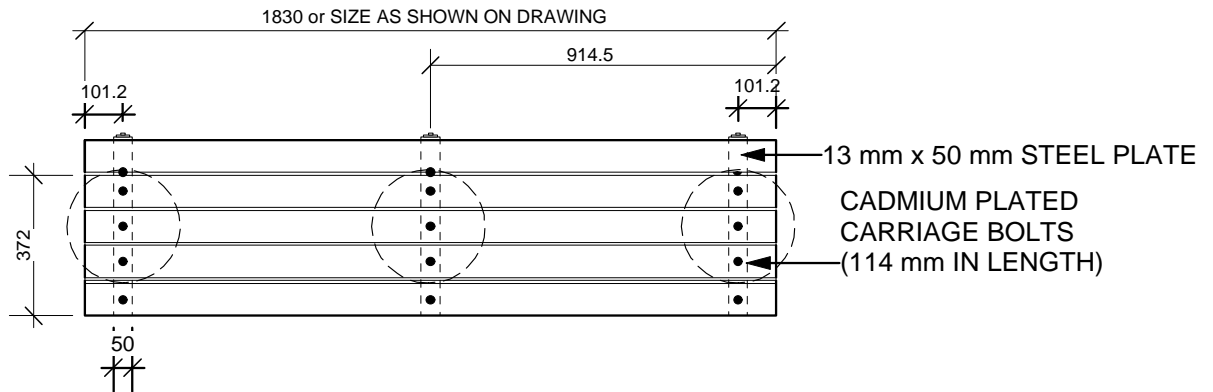
- **BLACK POWDERCOATED** - (Metal suitably cleaned to remove any grease, wax etc. for proper paint bonding to occur. Base coat Zinc rich primer. Baked with a final thickness of paint between 5 8 mil - **Product # 52501085**)
- **GALVANIZED** - **Product # 52501085GLV**

Drawing Title:

**TACHE BENCH COMPOSITE WITH ARMS**

Drawing No:

**SCD-121A**



**SIDE ELEVATION**

**FRONT ELEVATION**

DIMENSIONS SHOWN ARE IN MILLIMETRES UNLESS OTHERWISE SPECIFIED

REVISION: 1  
DATE: January 12, 2012  
SCALE: NTS  
DRAWN BY: SP

The City of Winnipeg  
Planning, Property and Development Department  
Planning and Land Use Division  
Unit 15 - 30 Fort Street, Winnipeg, MB, R3C 4X5

