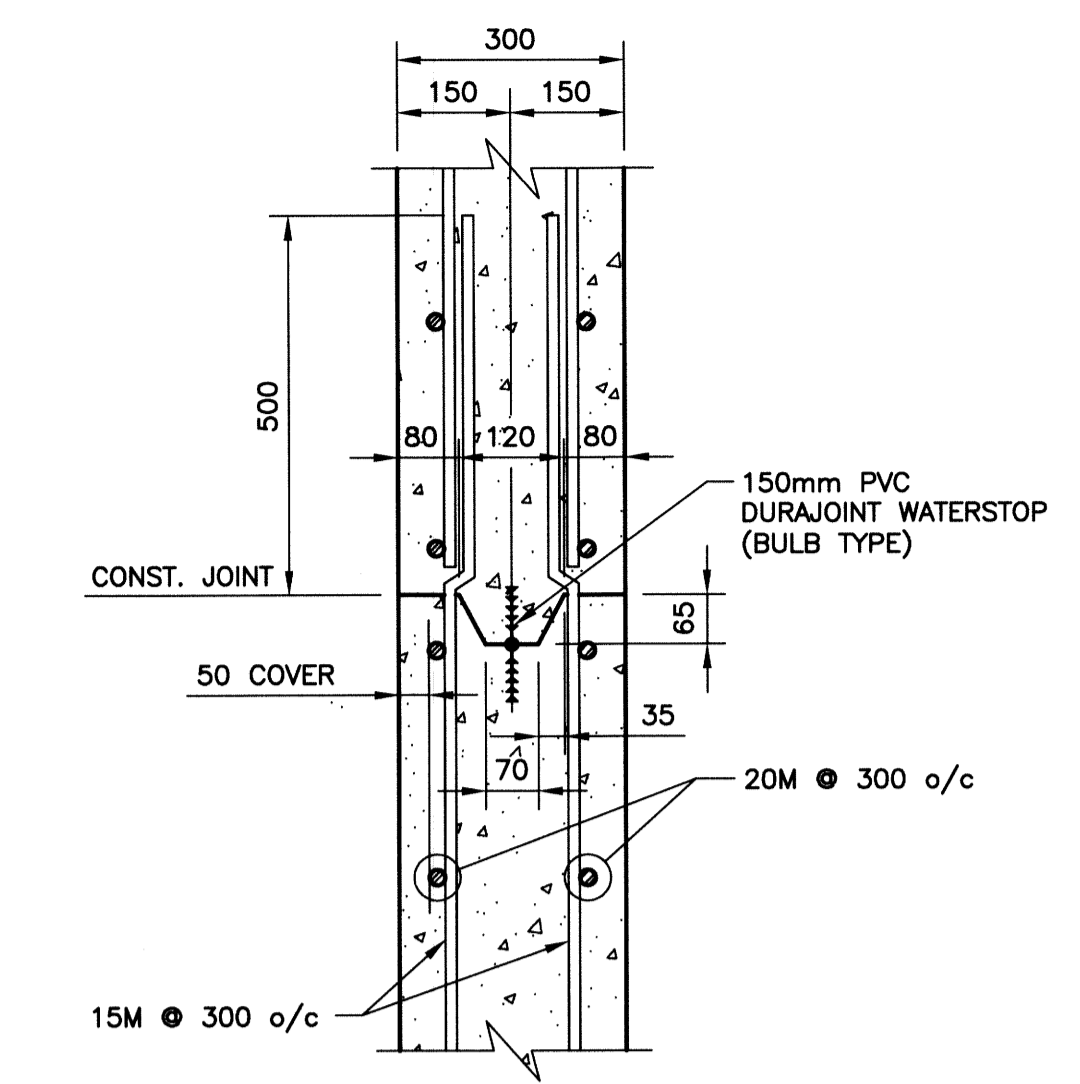
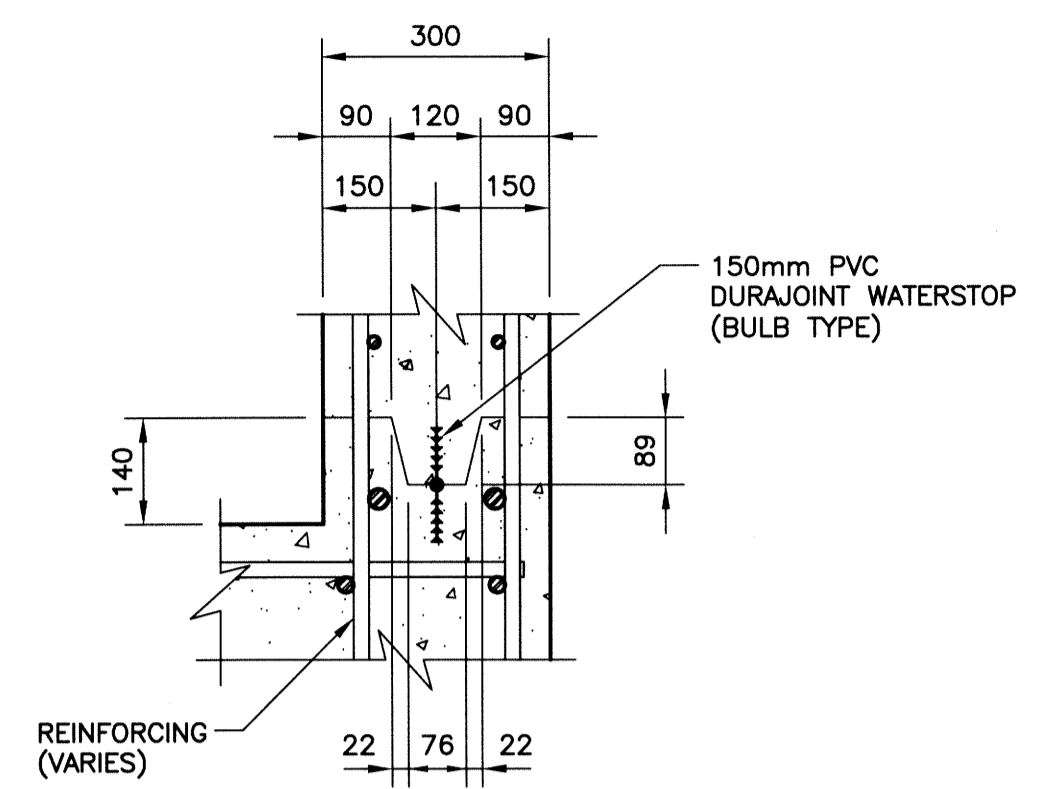


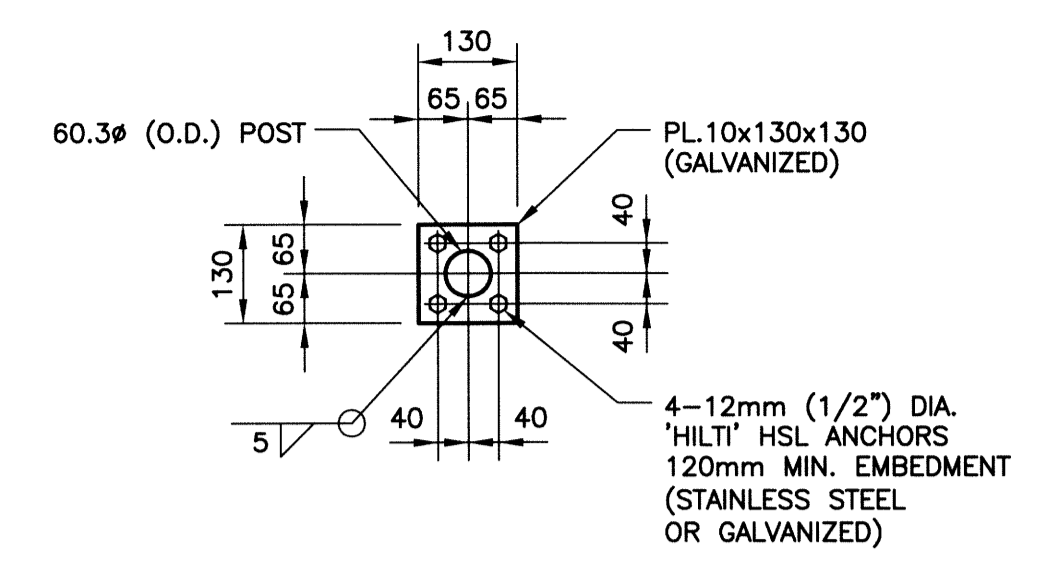
P:\Projects\2012\12-0107-005\DocControl\Tablesused\DWG\12-0107-005-C380-13-05-Rev 0.dwg - Tab: 05 Plotted By: DDeroche 01/24/2013 [Thu 8:28am]
 CONWLEGEN



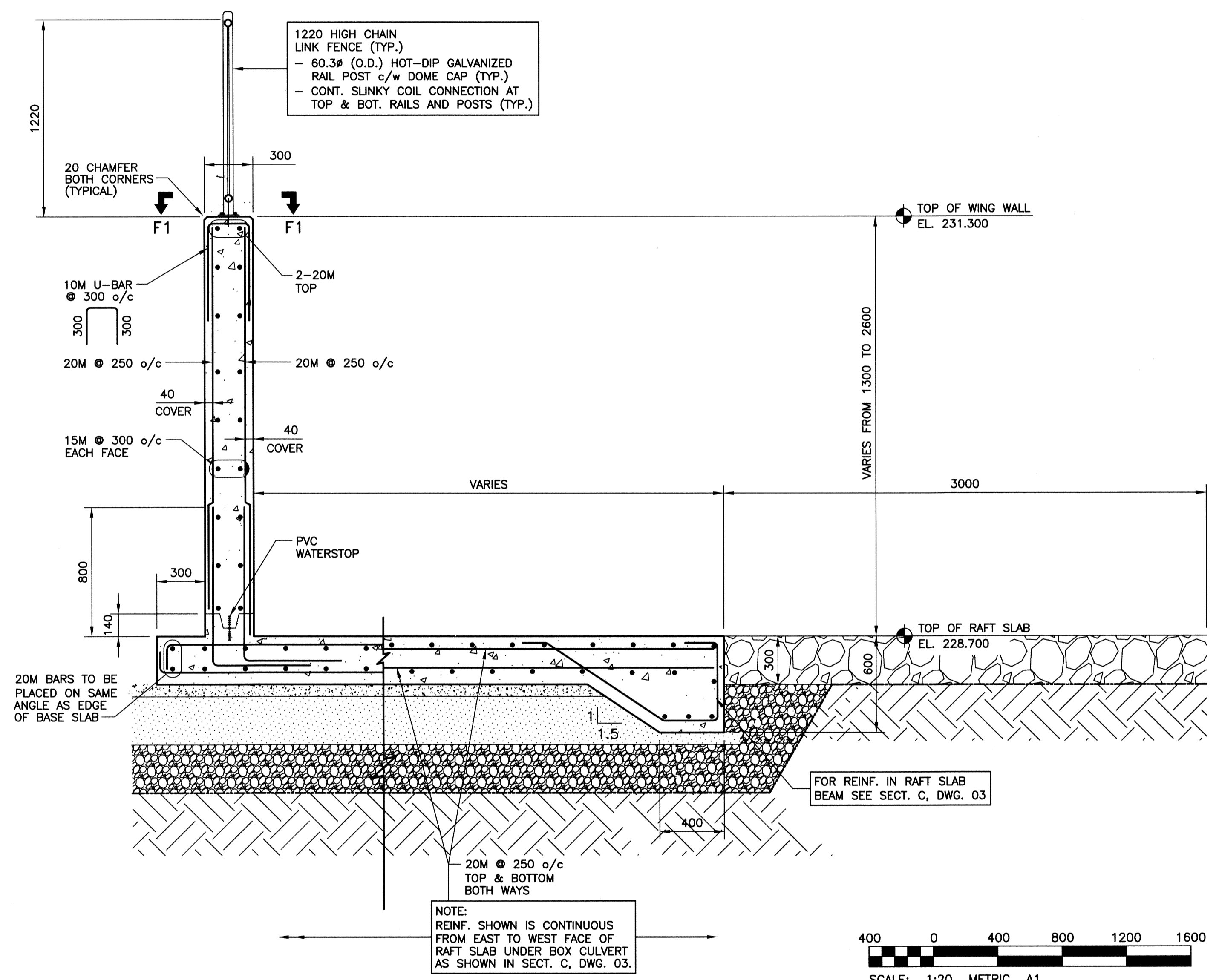
1 VERTICAL CONST. JOINT DETAIL
 01 SCALE: 1:10 (24x36)
 1:20 (11x17)



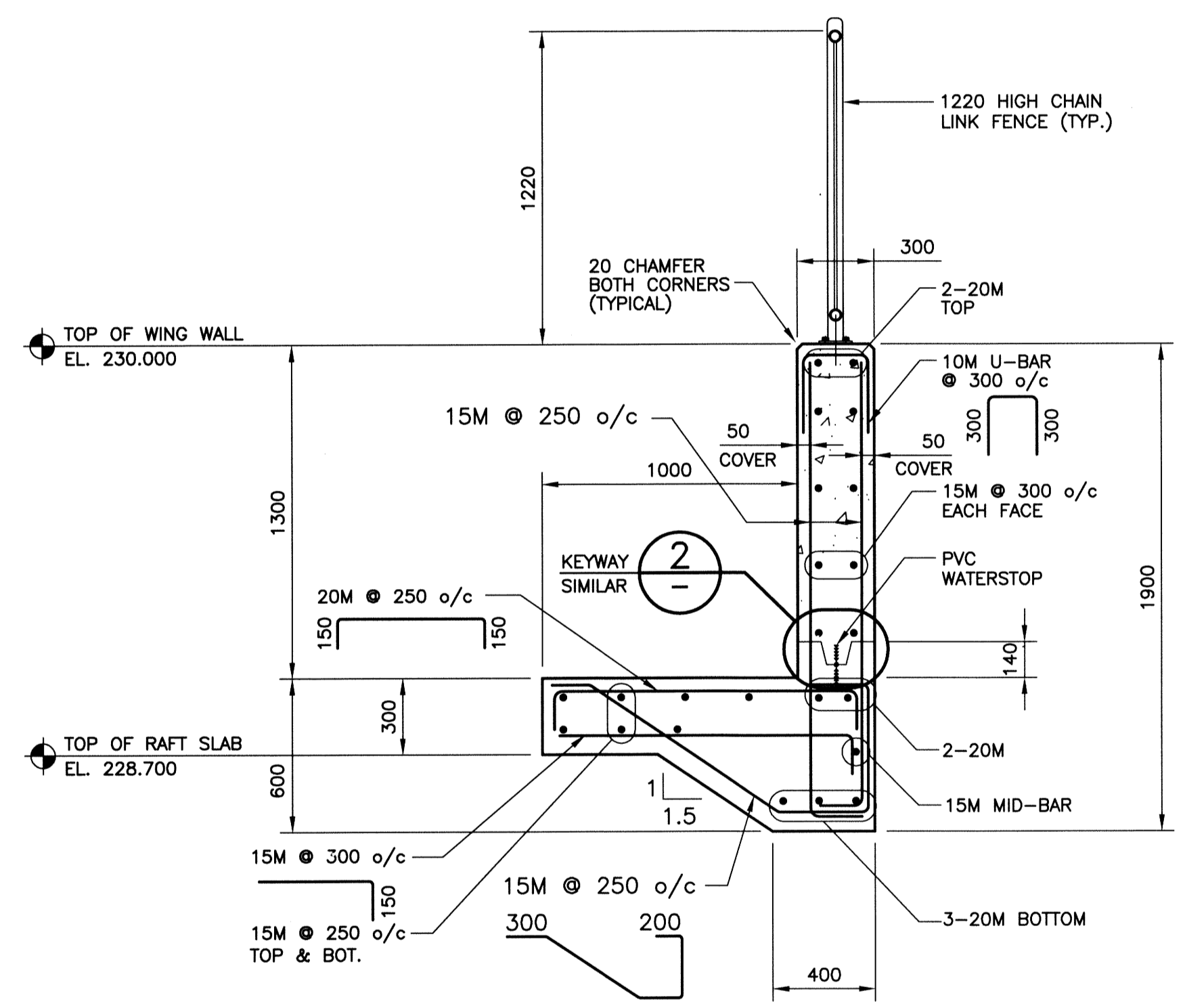
2 KEYWAY DETAIL
 04 SCALE: 1:10 (24x36)
 1:20 (11x17)



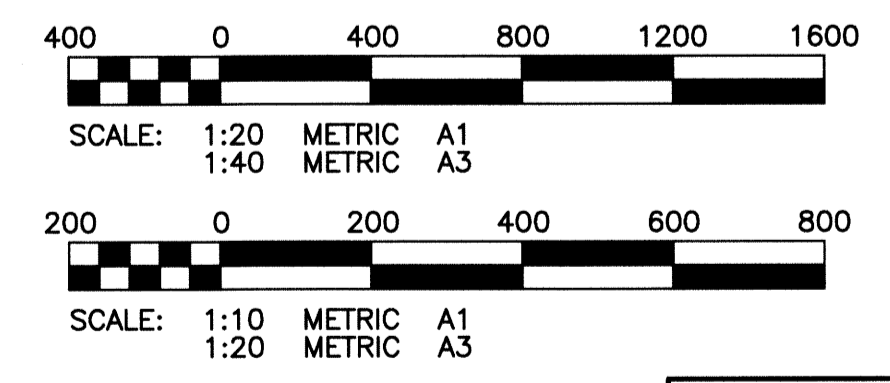
SECTION F1-F1
 SCALE: 1:10 (24x36)
 1:20 (11x17)



F WINGWALL - SECTION
 01 SCALE: 1:20 (24x36)
 1:40 (11x17)



E RETURN WALL - SECTION
 01 SCALE: 1:20 (24x36)
 1:40 (11x17)



150 WM	WATERMAIN	150 WM	HYDRO	150 WM	WATERMAIN
⊕	HYDRANT VALVE	⊕	M.T.S.	⊕	HYDRANT, VALVE
⊕	CONCRETE	⊕	CONCRETE	⊕	LAND DRAINAGE SEWER
⊕	ASPHALT	⊕	ASPHALT	⊕	WASTE WATER SEWER
⊕	SIDEWALK	⊕	SIDEWALK	⊕	PROPERTY LINE
⊕	MANHOLE	⊕	MANHOLE	⊕	NORTH/WEST GUTTER
⊕	CATCH BASIN	⊕	CATCH BASIN	⊕	SOUTH/EAST GUTTER
⊕	CURB INLET	⊕	CURB INLET	⊕	N/W, S/E R'S
⊕	JUNCTIONS	⊕	JUNCTIONS	⊕	N/W, S/E TOP/CURB
⊕	CULVERT	⊕	CULVERT	⊕	NORTH/WEST DITCH
⊕	GAS	⊕	GAS	⊕	SOUTH/EAST DITCH
---	EXISTING	---	EXISTING	---	EXISTING
---	LEGEND-PLAN	---	LEGEND-PLAN	---	LEGEND-PROFILE
---	PROPOSED	---	PROPOSED	---	PROPOSED

LOCATION APPROVED UNDERGROUND STRUCTURES	DATE
SUPV. U/G STRUCTURES COMMITTEE	
NOTE: LOCATION OF UNDERGROUND STRUCTURES AS SHOWN ARE BASED ON THE BEST INFORMATION AVAILABLE BUT NO GUARANTEE IS GIVEN THAT ALL EXISTING UTILITIES ARE SHOWN OR THAT THE GIVEN LOCATIONS ARE EXACT. CONFIRMATION OF EXISTENCE AND EXACT LOCATION OF ALL SERVICES MUST BE OBTAINED FROM THE INDIVIDUAL UTILITIES BEFORE PROCEEDING WITH CONSTRUCTION.	
NO.	REVISIONS
	DATE
	BY
	DATE

KGS GROUP CONSULTING ENGINEERS
 SCATLIFF + MILLER + MURRAY Inc.
 DESIGNED BY: RJL
 CHECKED BY: JHW
 DRAWN BY: JF/EDC
 APPROVED BY: [Signature]
 SCALE: AS NOTED
 RELEASED FOR CONSTRUCTION: [Signature]
 DATE: 12/06/29

ENGINEER'S SEAL
 R.J. LONG
 CONSULTANT DRAWING NO. 12-0107-005-05

THE CITY OF WINNIPEG PUBLIC WORKS DEPARTMENT
 PROJECT TITLE: MULTI-USE PATH AND NAVIN DRAIN C.I.P. CONCRETE CULVERT
 SHEET 07 OF 09
 COMPUTER FILE NAME: 12-0107-005
 CITY DRAWING NUMBER: C380-13-05
 BISHOP GRADIN BLVD/SHOREHILL DR TO BEAVERHILL BLVD
 BOX CULVERT SECTIONS & DETAIL

APEGM
 Certificate of Authorization
 KGS Group
 No. 245