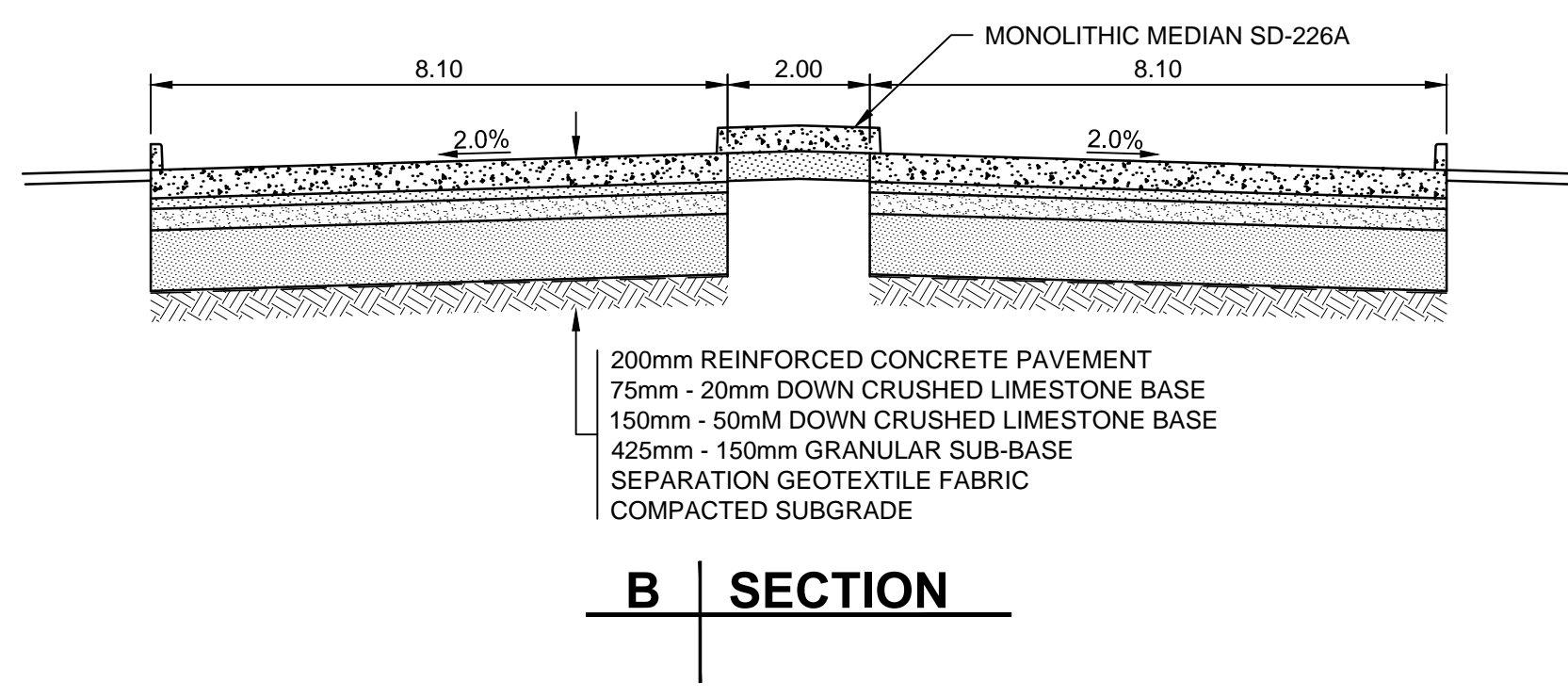
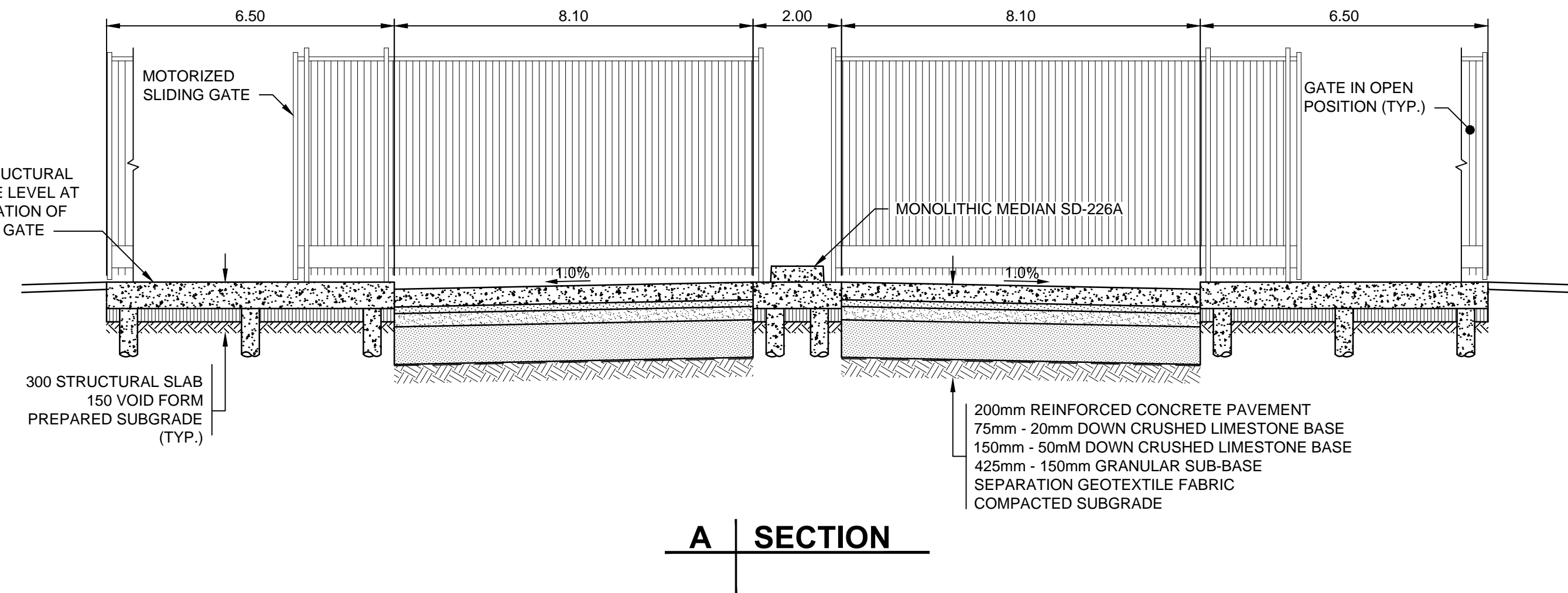
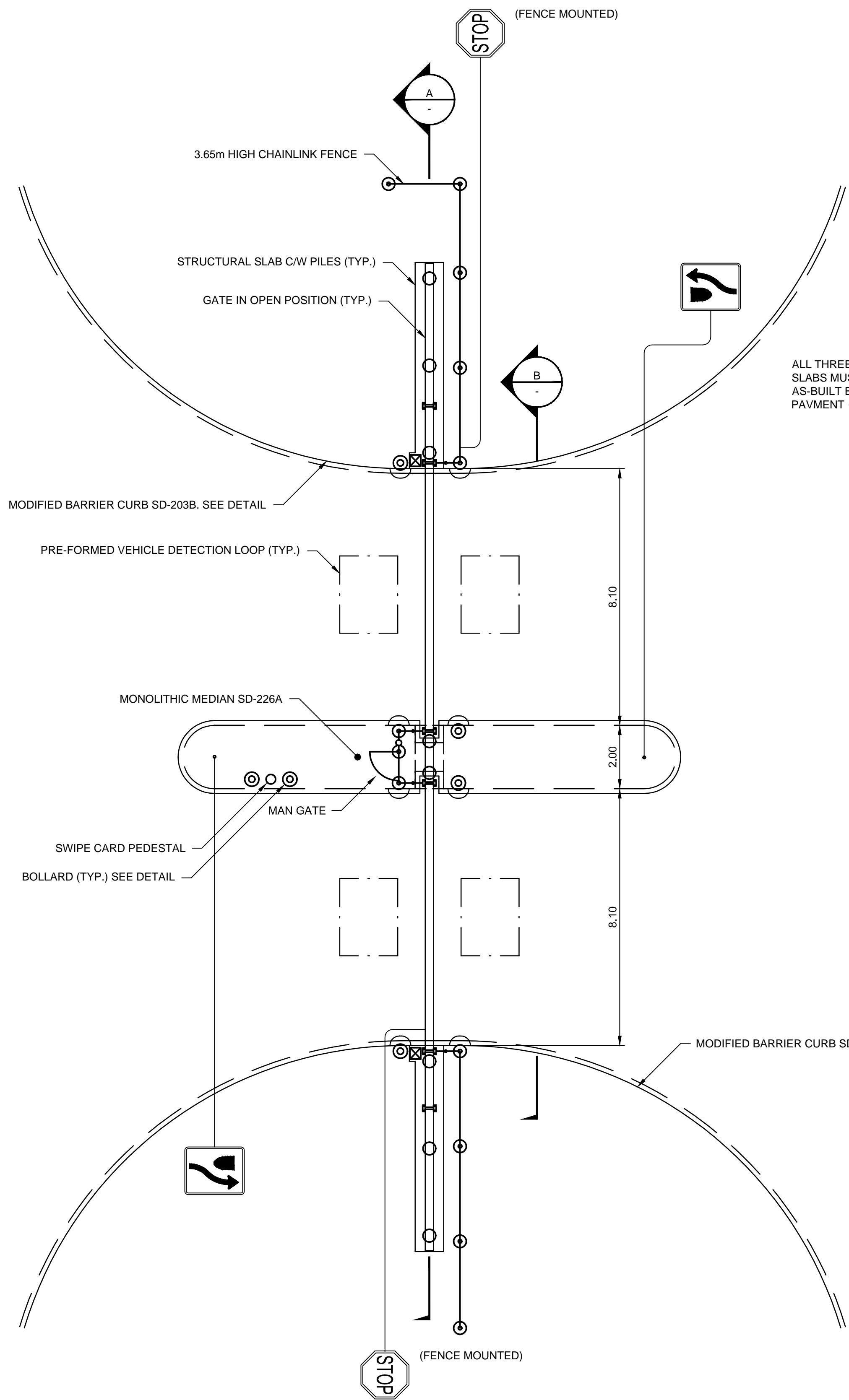
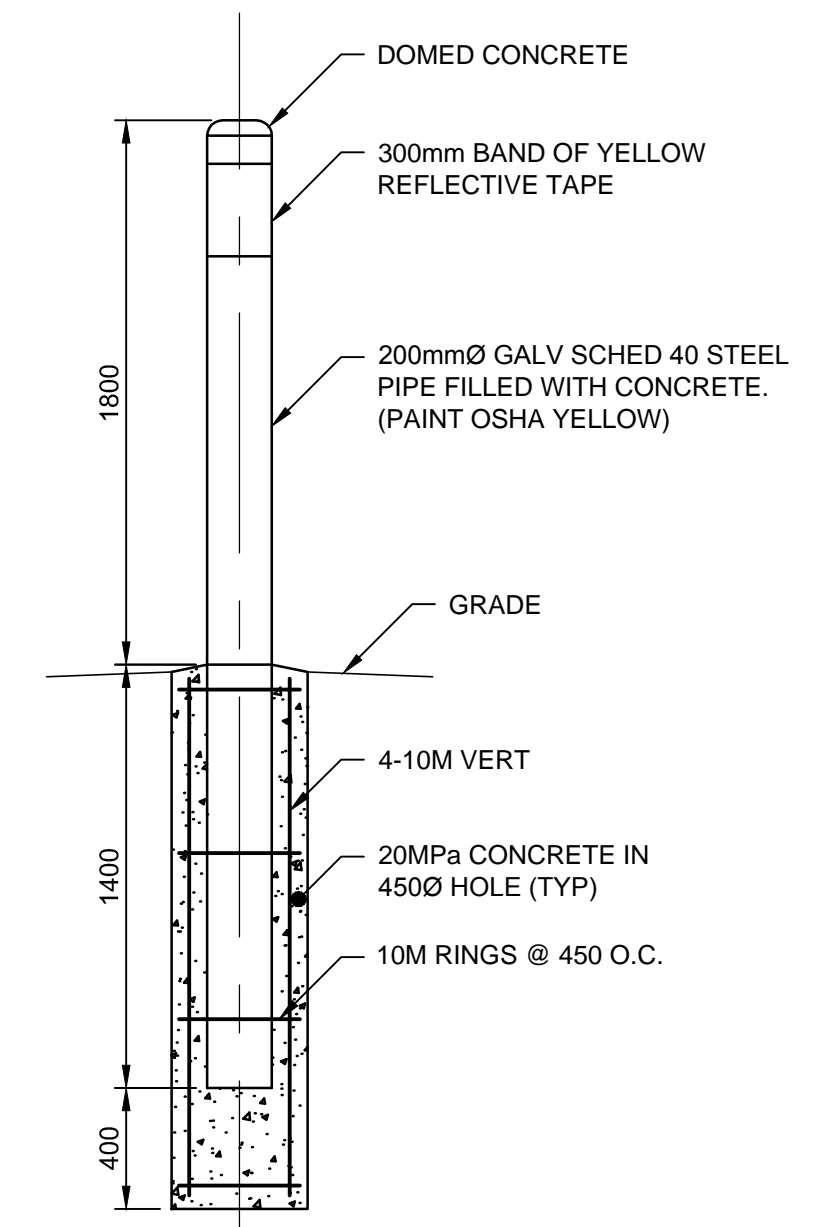


I/R	DATE	DESCRIPTION
0	Dec 12/13	ISSUED FOR BID OPP 838-2013

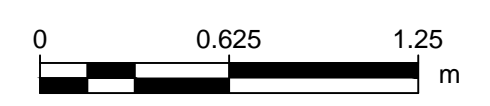
This drawing has been prepared for the use of AECOM's client and may not be used, reproduced or relied upon by third parties, except as agreed by AECOM and its client, as required by law or for use by governmental reviewing agencies. AECOM accepts no responsibility, and denies any liability whatsoever, to any party that modifies this drawing without AECOM's express written consent. Do not scale this document. All measurements must be obtained from stated dimensions.



DETAIL - INTEGRAL MODIFIED BARRIER CURB (SD-203B)

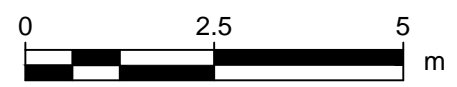


DETAIL - BOLLARD



1 | DETAIL - GATE AREA

L-1001



Project Management Initials: Designer: Checked: Approved: ANSI D 864mm x 559mm

Last saved by: DENOUDEANW(2013-12-12) Last Plotred: 2013-12-12
Filename: P:\60287880\000-CADD\02-SHEETS\C60287880-SHT-00-0000-C-4001.DWG