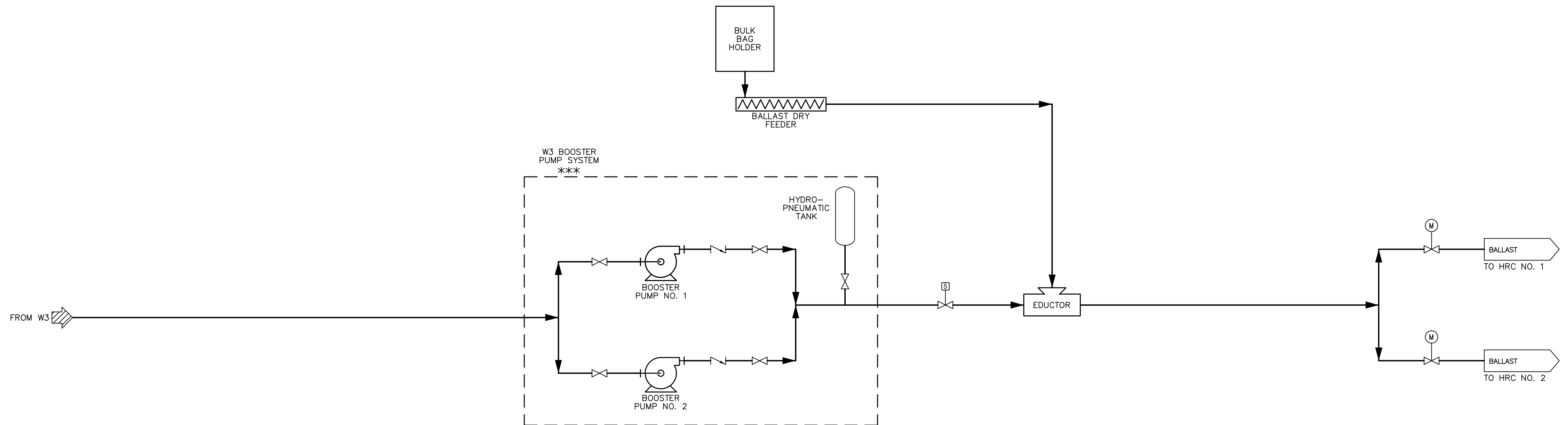


NOTES:

1. THIS DRAWING IS FOR A SLURRY-BASED (I.E. WET) BALLAST ADDITION SYSTEM. HRC BIDDER MAY INSTEAD USE A DRY-FEED SYSTEM.
2. DIAGRAM IS SCHEMATIC. NOT ALL REQUIRED COMPONENTS ARE NECESSARILY SHOWN AND NOT ALL COMPONENTS SHOWN NECESSARILY APPLY TO EVERY BIDDER.
3. STARRED (\*\*\*) ITEMS ARE EXCLUDED FROM HRC BIDDERS SCOPE.



South End Water Pollution Control Centre HRC Pre-Purchase  
Ballast Addition System  
SK-I-104