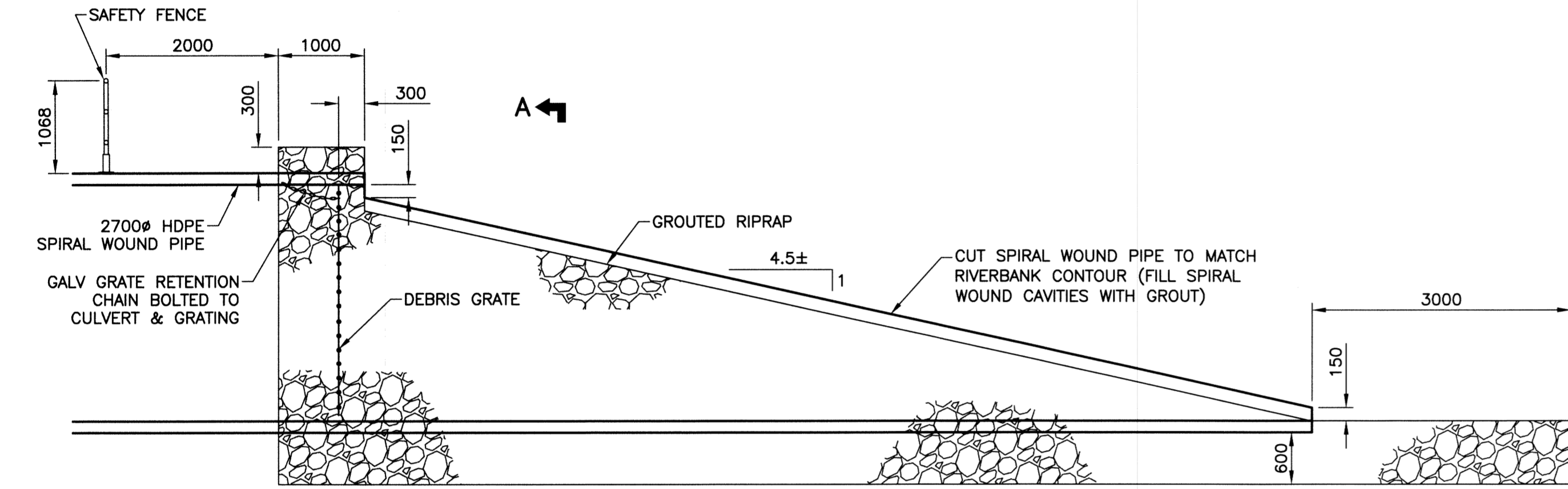
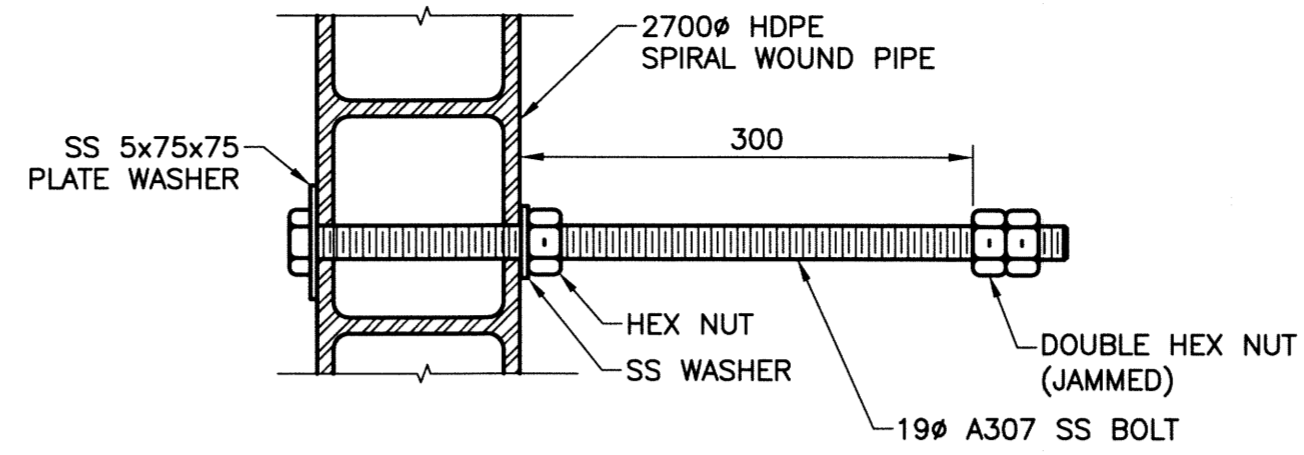


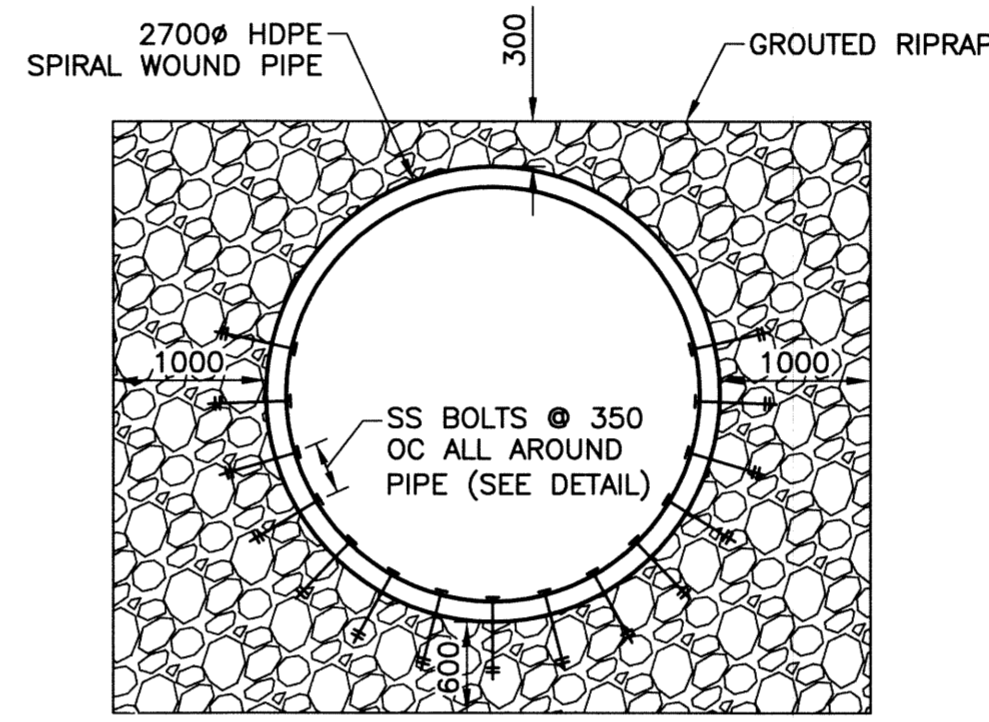
PLAN
SCALE: 1:50



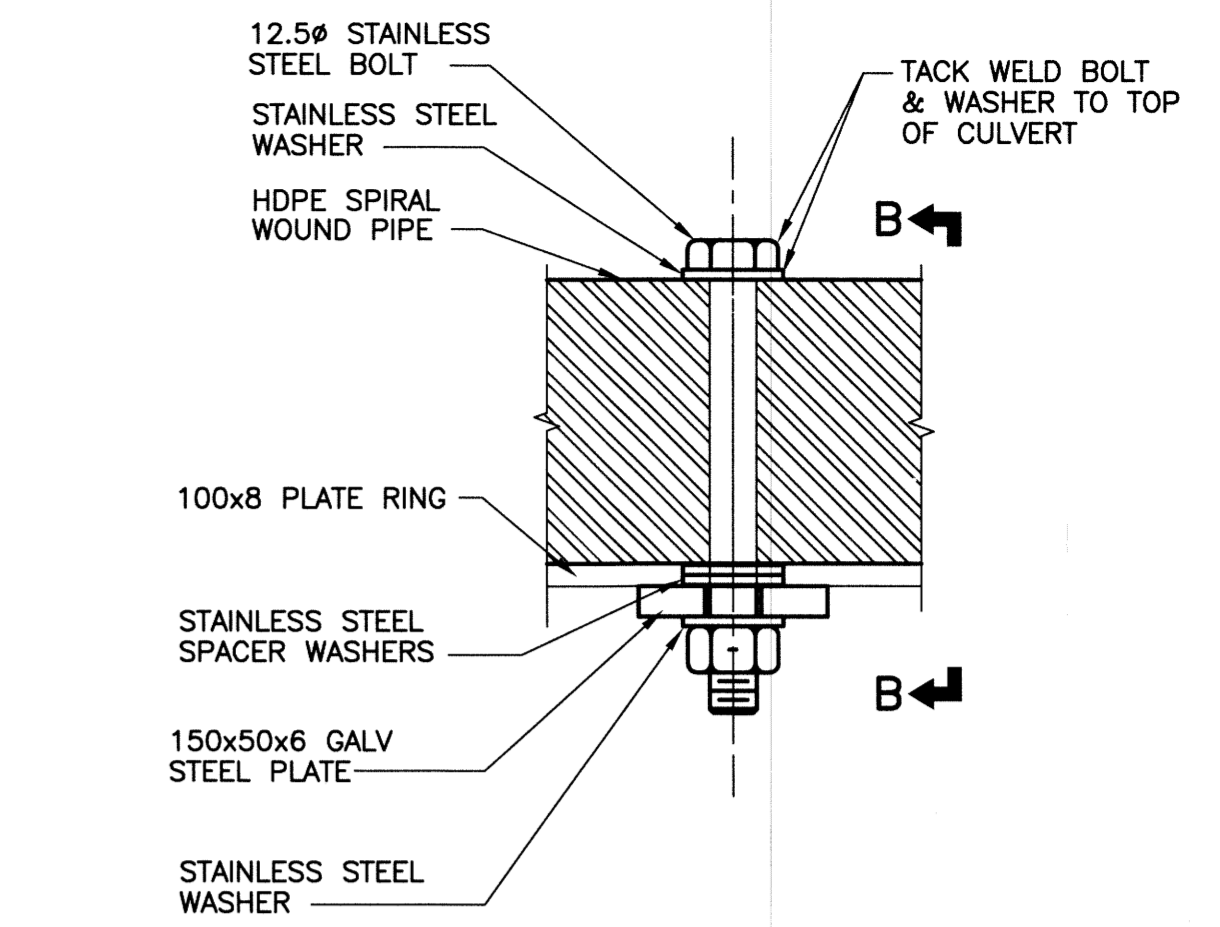
SECTION --END CONDITION '2'
SCALE: 1:50



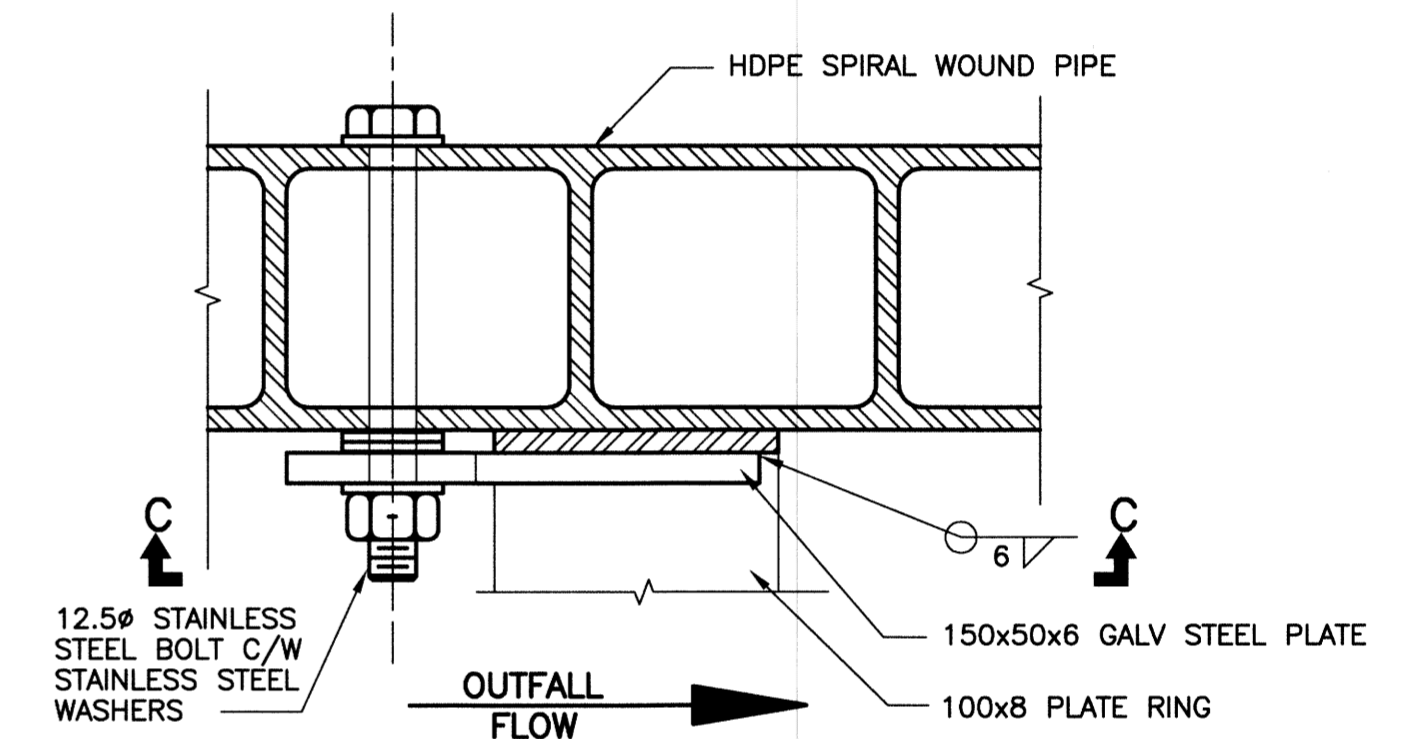
SS BOLT ANCHOR DETAIL
SCALE: 1:5



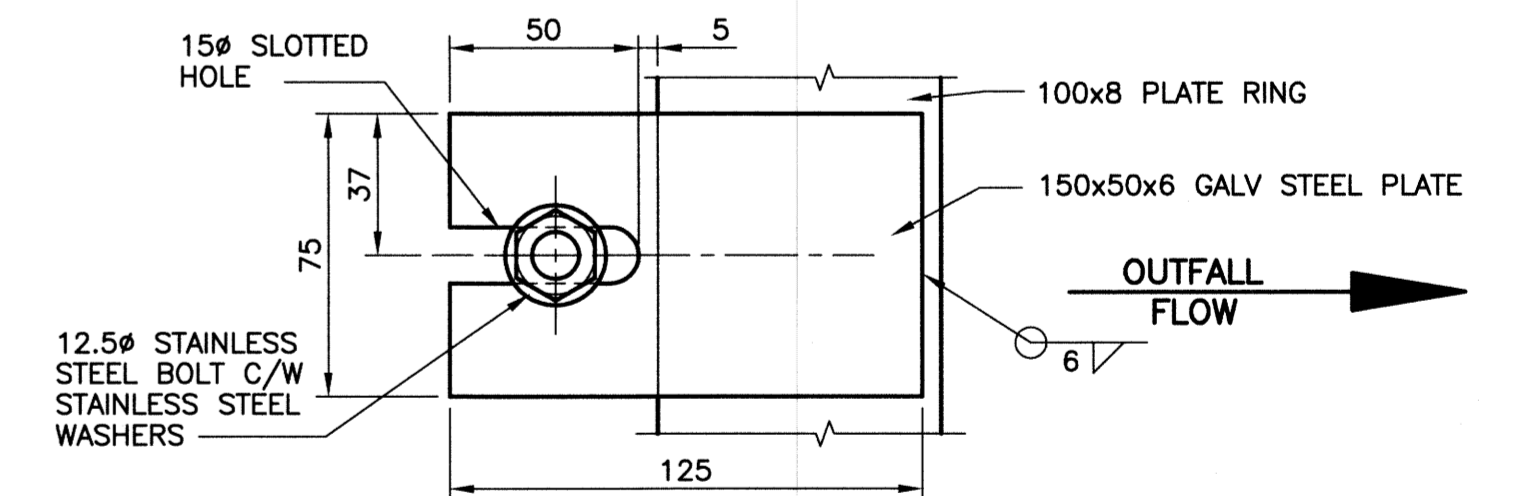
SECTION A - A
SCALE: 1:50



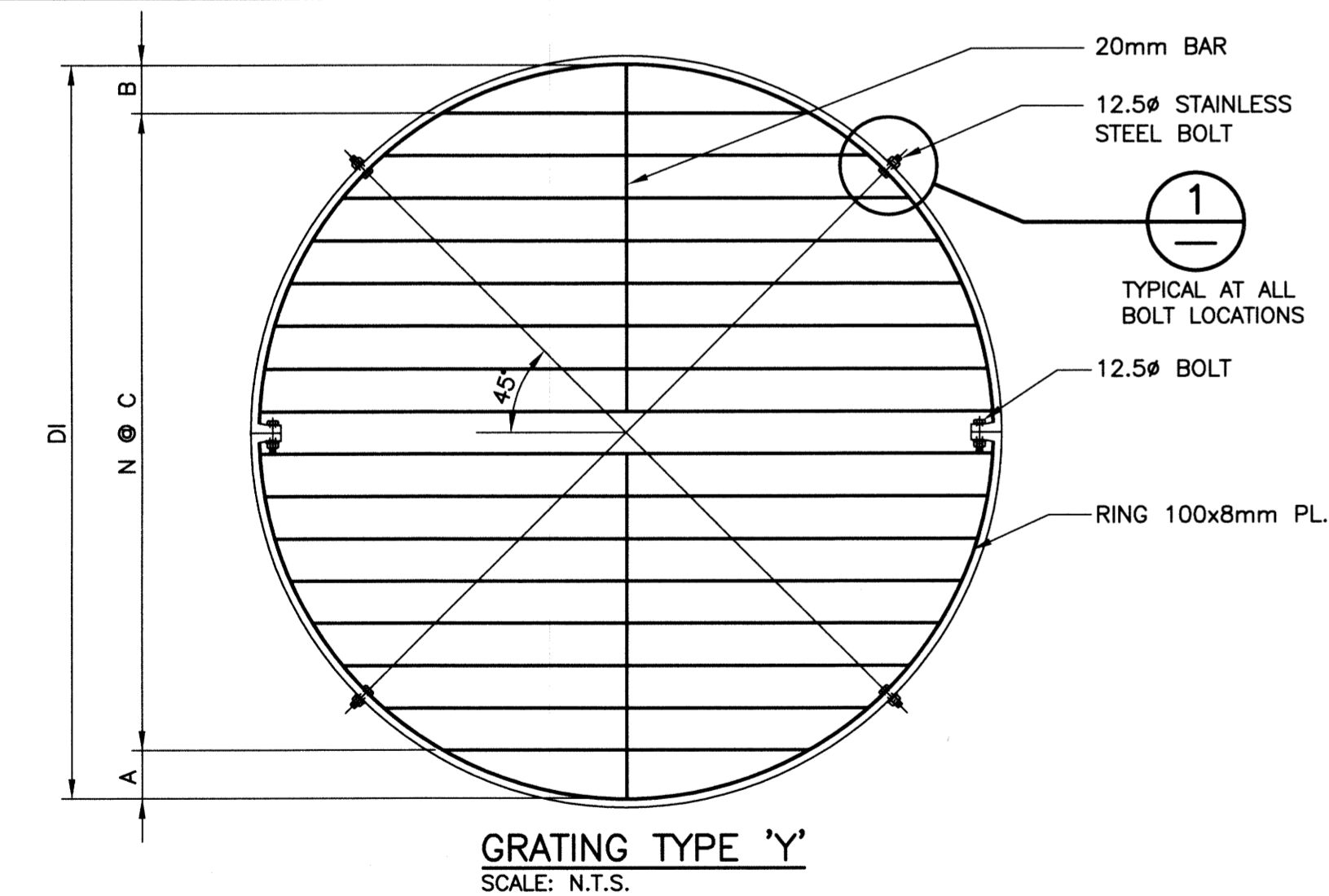
1 DETAIL (SPIRAL WOUND HDPE)
SCALE: N.T.S.



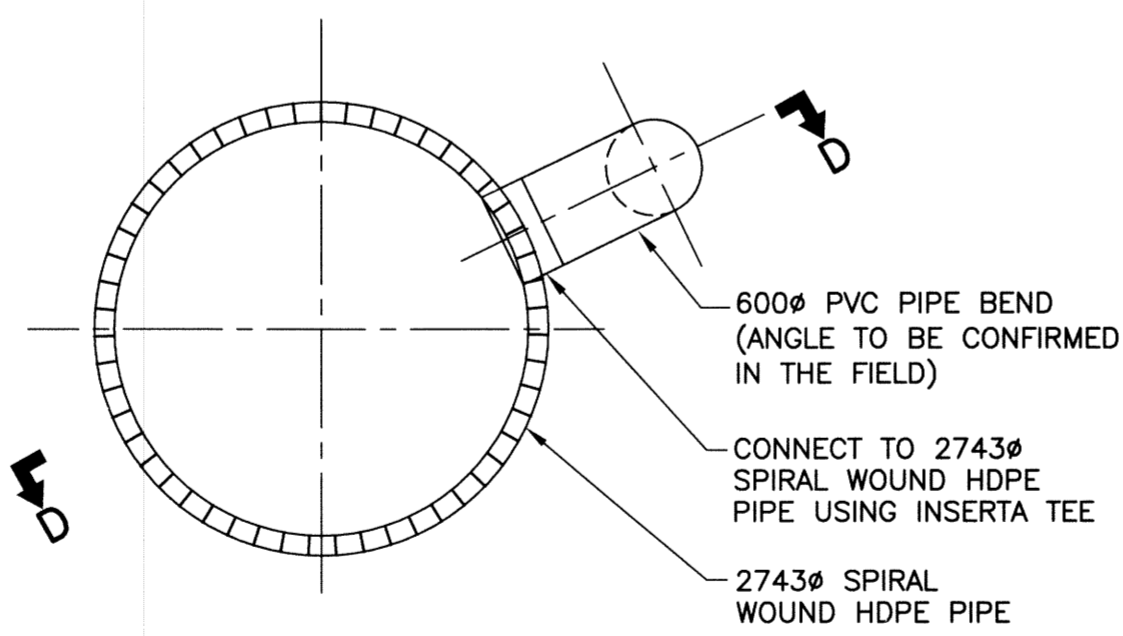
SECTION B-B (SPIRAL WOUND HDPE)
SCALE: N.T.S.



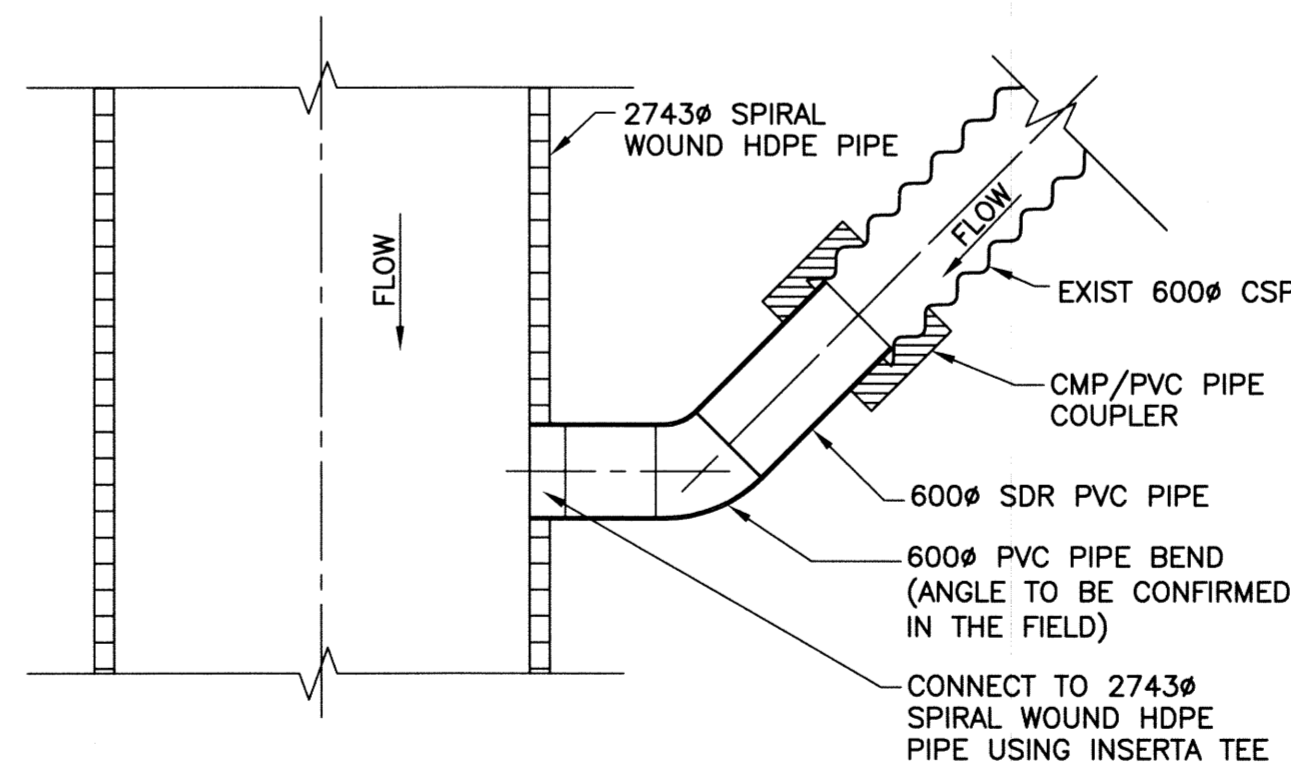
SECTION C-C
SCALE: 1:2



GRATING TYPE 'Y'
SCALE: N.T.S.



CROSS SECTION



SECTION D-D

600 TO 2743 PIPE CONNECTION DETAIL

SCALE: NTS

LOCATION	PIPE			END CONDITION	GRATING					
	DIAMETER D	MATERIAL	TYPE		DIAMETER D1	BAR DIA	A	B	C	N
BYNG PLACE (RR-37B)	2740	HDPE	2	2740	Y	25	135	140	145	17

NOTE:

- ALL PLATES AND BARS ARE CSA G40.21-300W.
- ALL COMPONENTS ARE GALVANIZED.
- ALL BOLTS TO BE TYPE 316 STAINLESS STEEL CONFORMING TO ASTM A320 GRADE B8M

STANDARD DEBRIS GRATE DETAILS

LOCATION APPROVED UNDERGROUND STRUCTURES

SUPV. U/G STRUCTURES COMMITTEE DATE

NOTE:
LOCATION OF UNDERGROUND STRUCTURES AS SHOWN ARE BASED ON THE BEST INFORMATION AVAILABLE BUT NO GUARANTEE IS GIVEN THAT ALL EXISTING UTILITIES ARE SHOWN OR THAT THE GIVEN LOCATIONS ARE EXACT. CONFIRMATION OF EXISTENCE AND EXACT LOCATION OF ALL SERVICES MUST BE OBTAINED FROM THE INDIVIDUAL UTILITIES BEFORE PROCEEDING WITH CONSTRUCTION.

B.M. KGS BASE ELEV. -		DWGS BASED ON C.S.R.S. NAD 83 SYSTEM, UTM GRID	
NO.	REVISIONS	DATE	BY
0	ISSUED FOR TENDER	13/11/06	RBO

DESIGNED BY RBO		CHECKED BY RJH	
DRAWN BY DMW		APPROVED BY	
SCALE: AS NOTED		RELEASED FOR CONSTRUCTION:	
NO.		DATE	
13/10/31		DATE	

ENGINEER'S SEAL

 CONSULTANT DRAWING NO.
 11-0107-18_LD-7232

THE CITY OF WINNIPEG
 WATER AND WASTE DEPARTMENT
Winnipeg
 PROJECT TITLE
COCKBURN CALROSSIE
COMBINED SEWER RELIEF WORKS
 SHEET OF
01 01
 COMPUTER FILE NAME
MISC DETAIL-PLOT
 CITY DRAWING NUMBER
LD-7232

APEGM
 Certificate of Authorization
 KGS Group
 No. 245