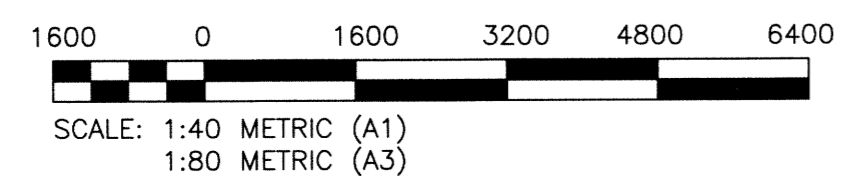
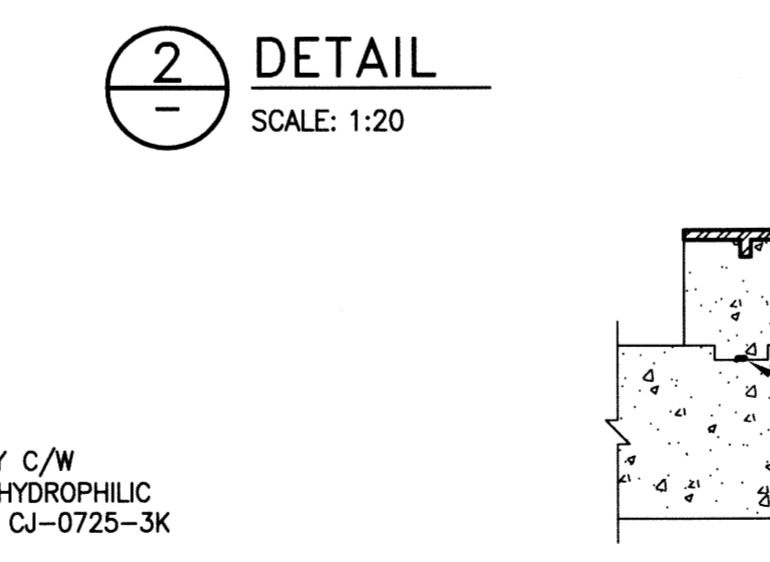
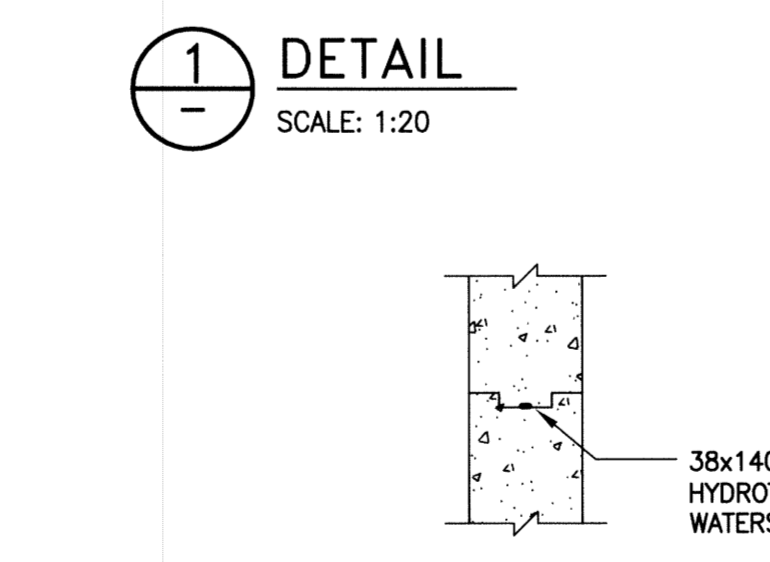
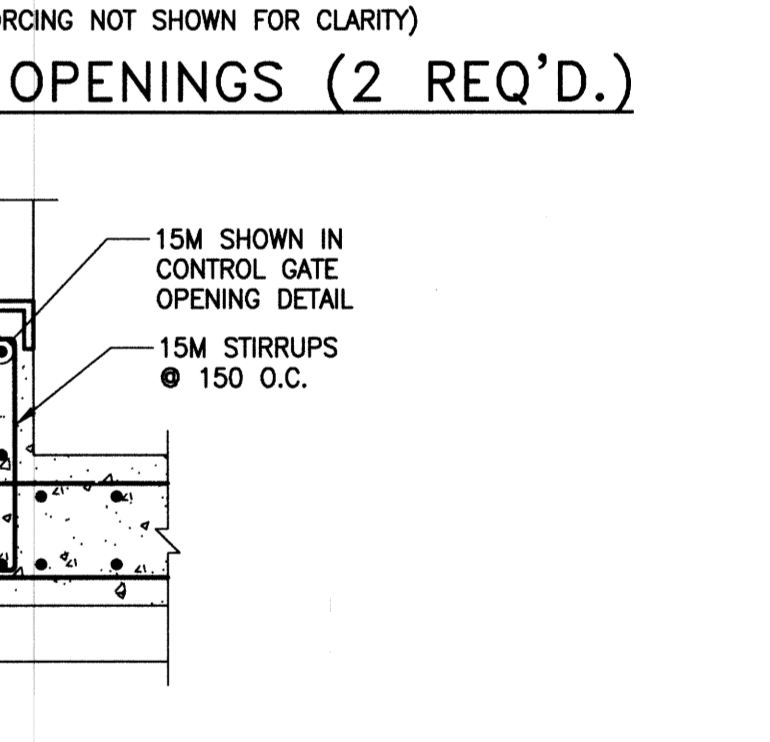
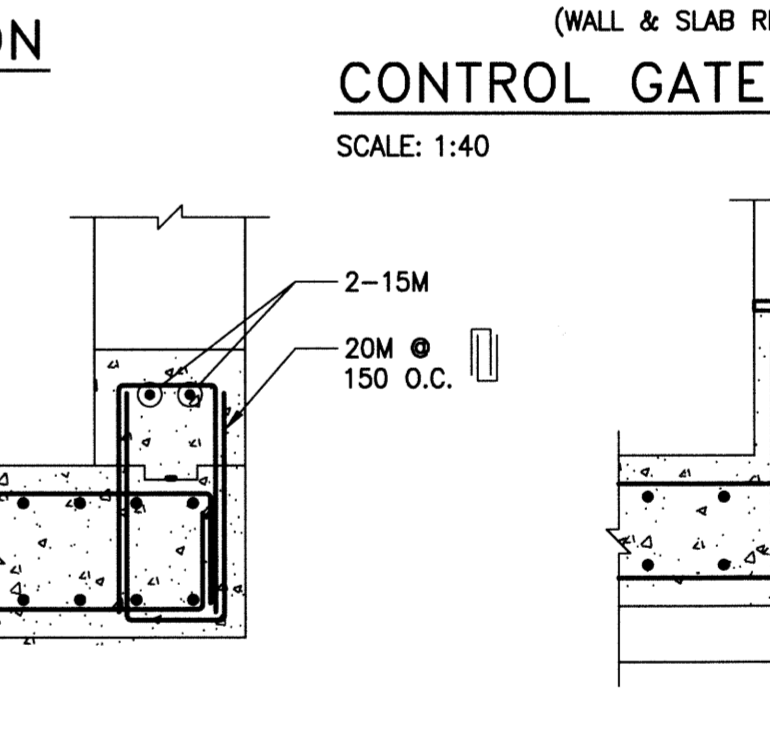
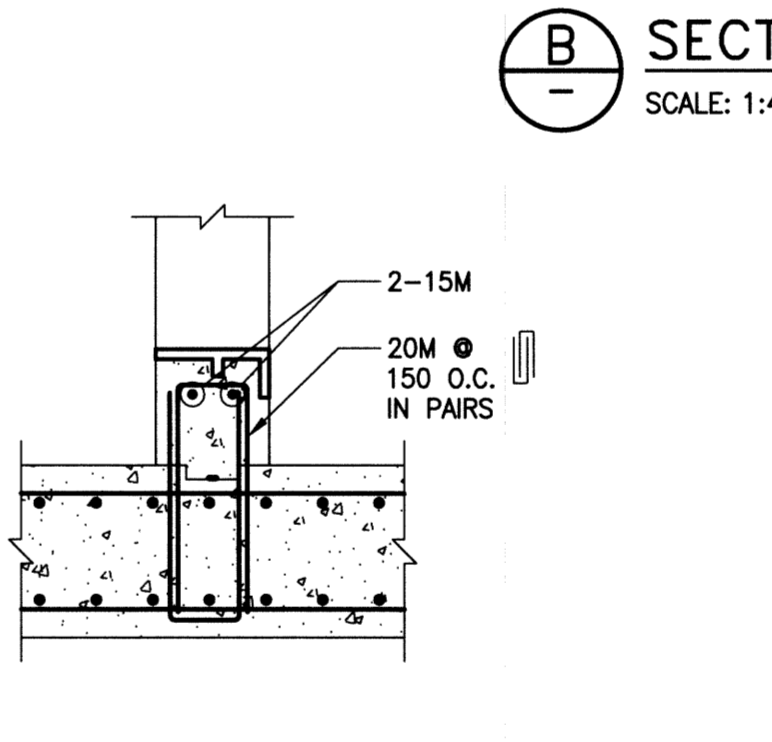
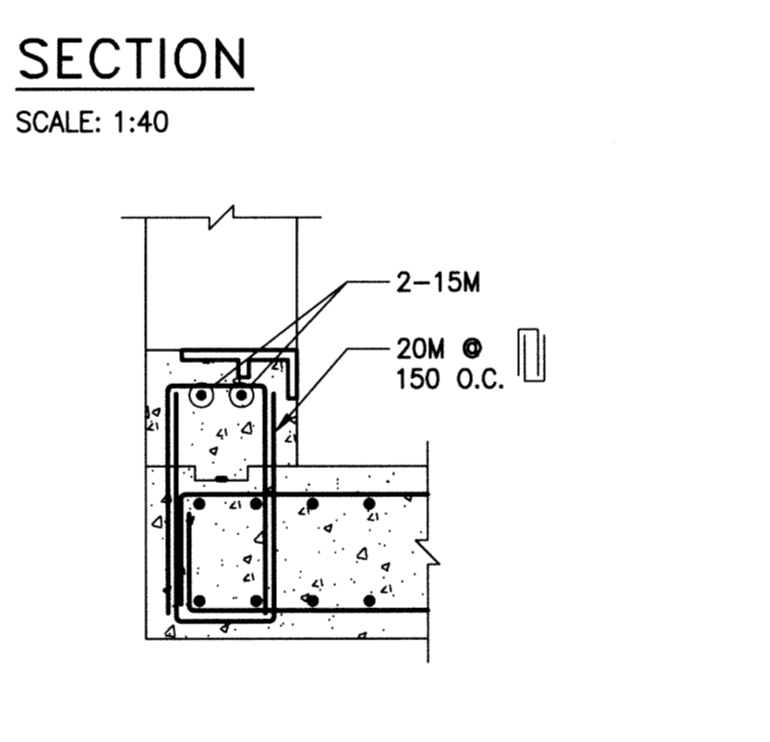
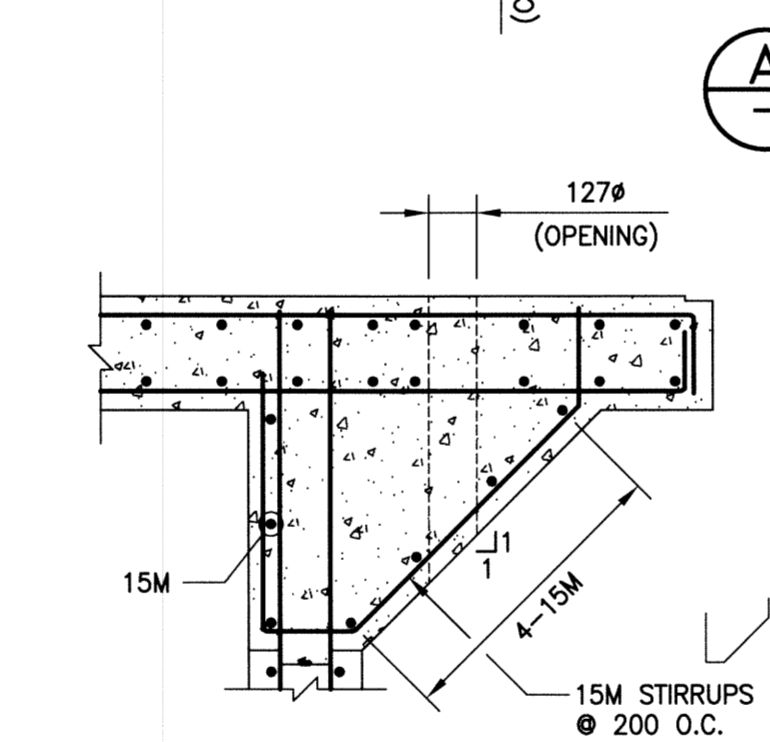
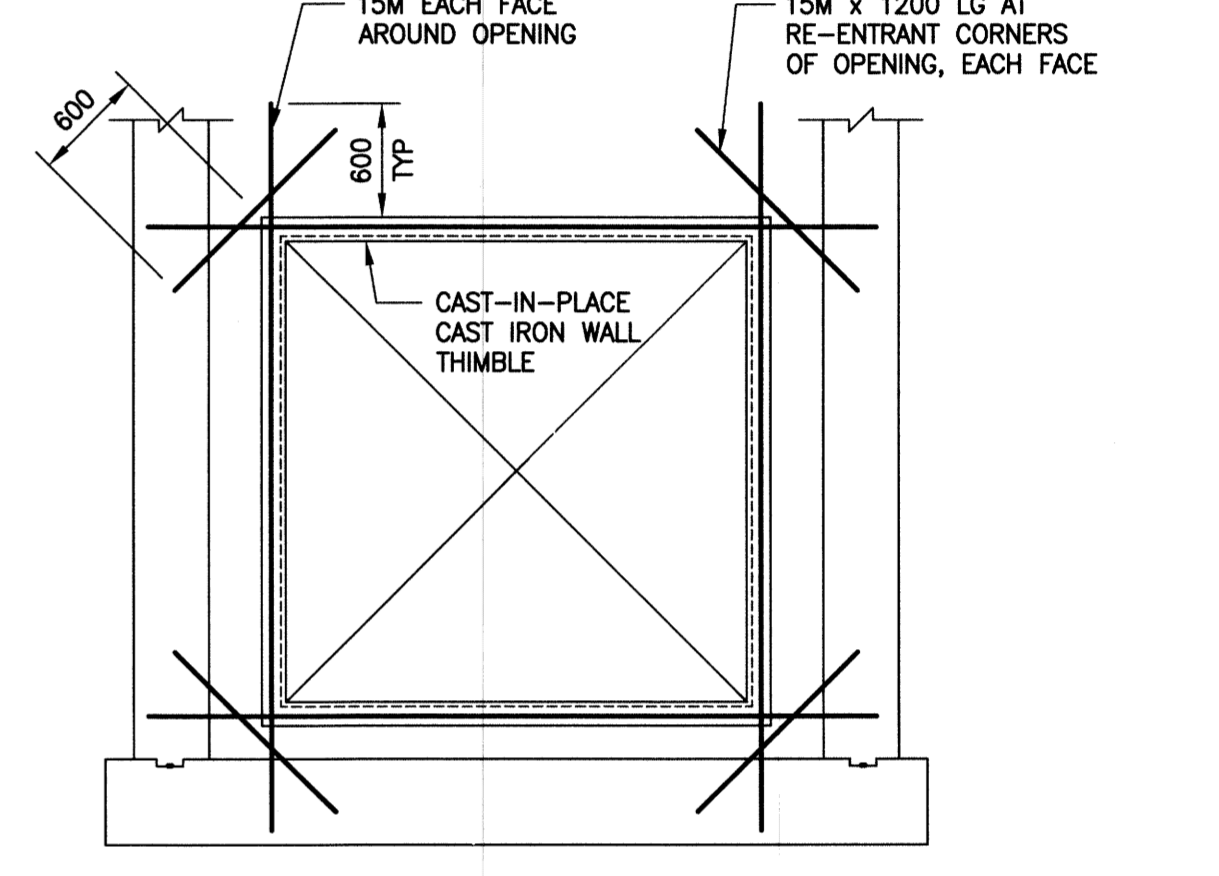
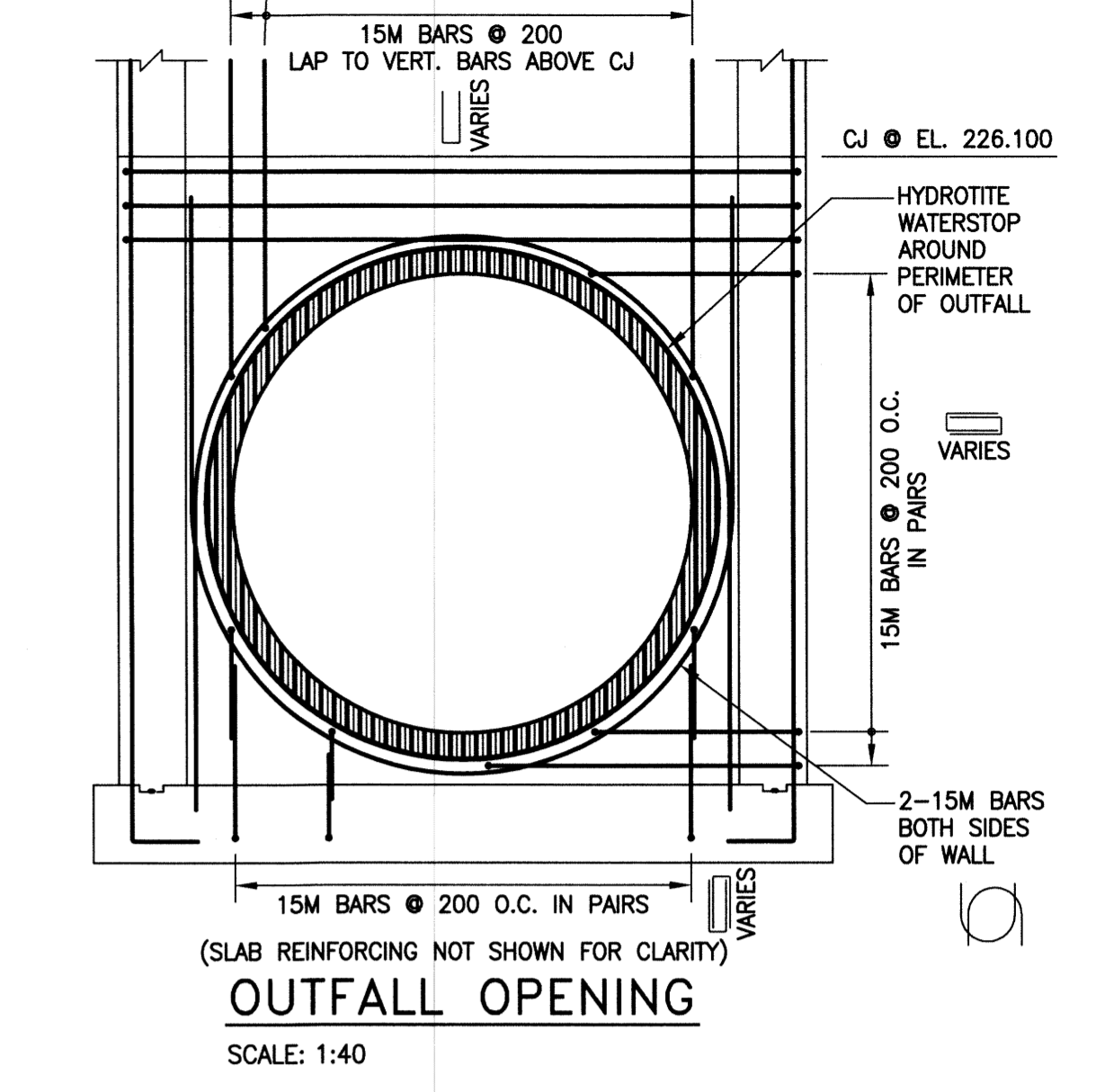
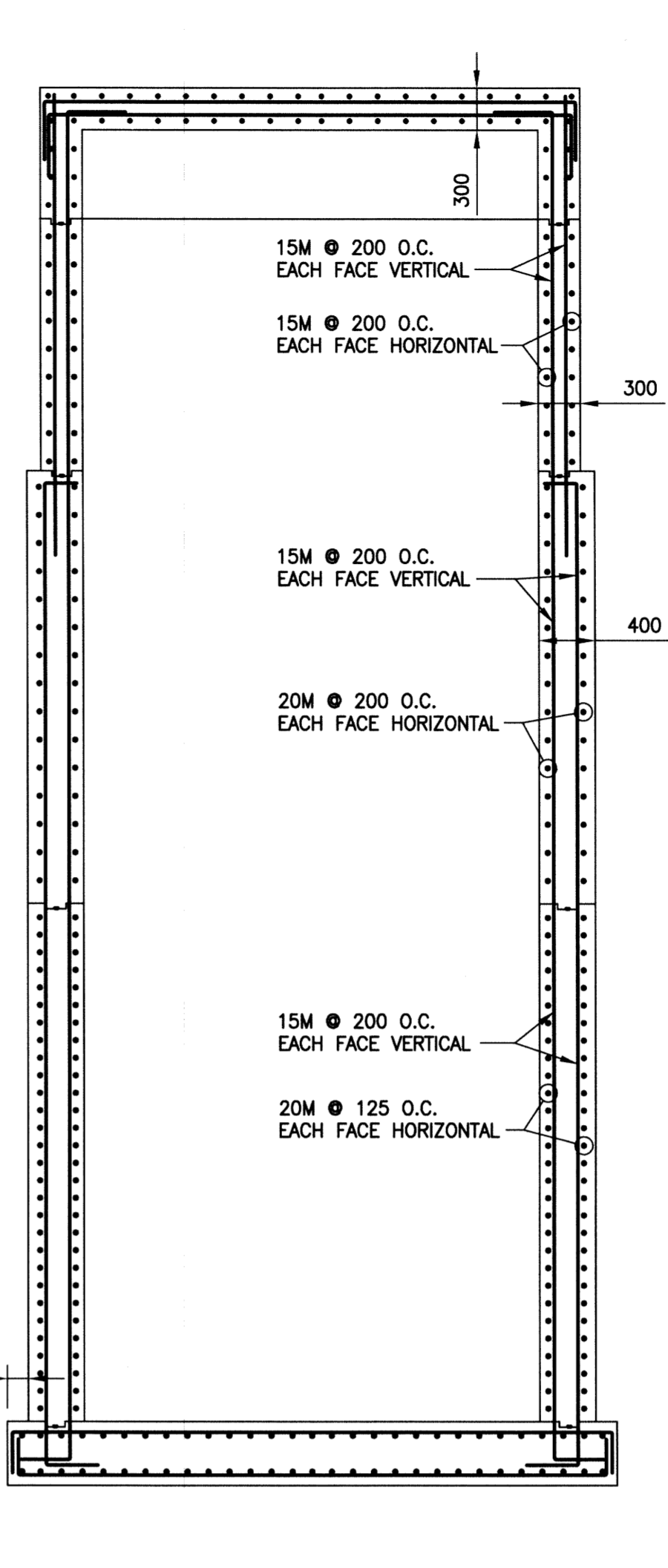
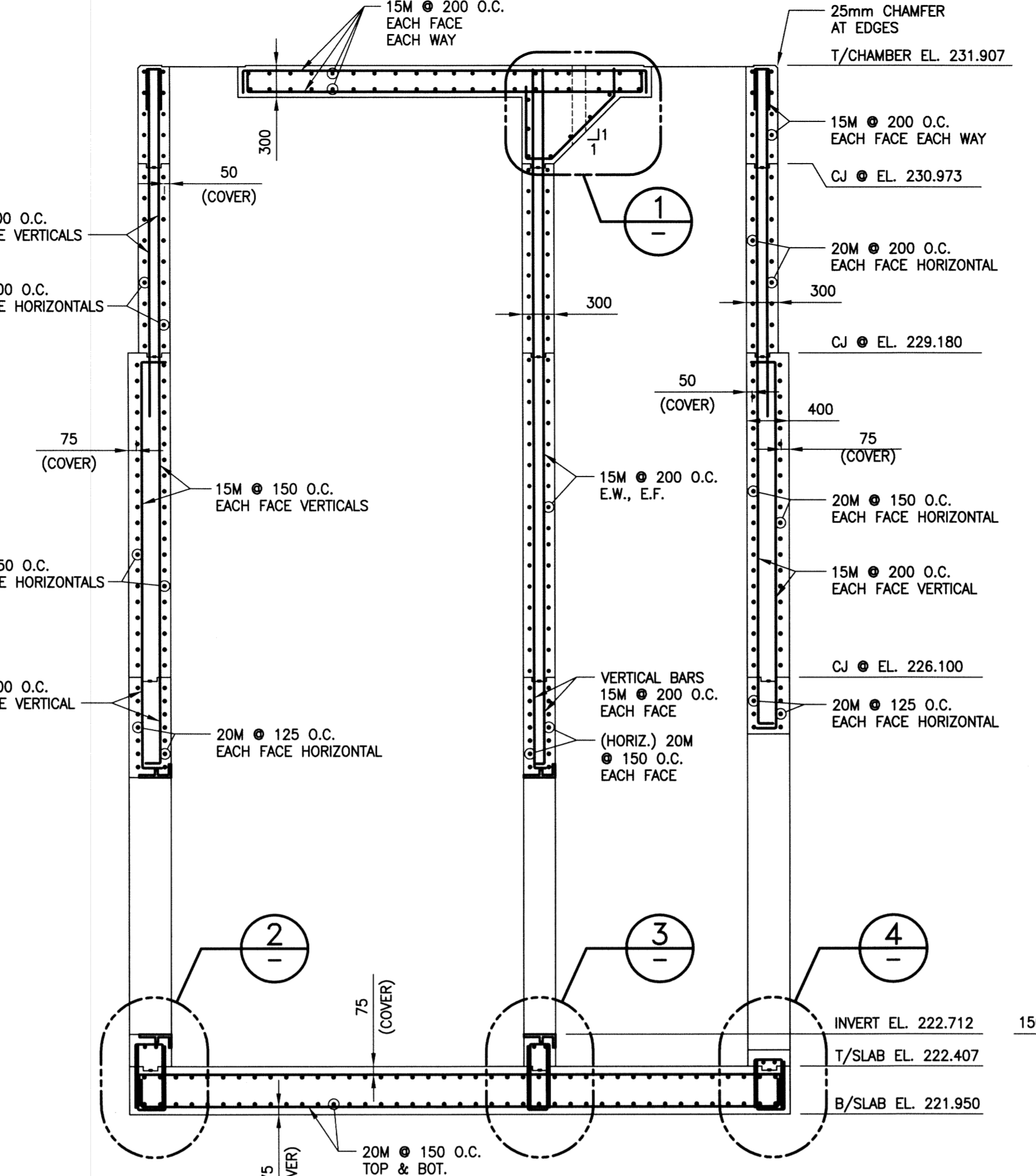
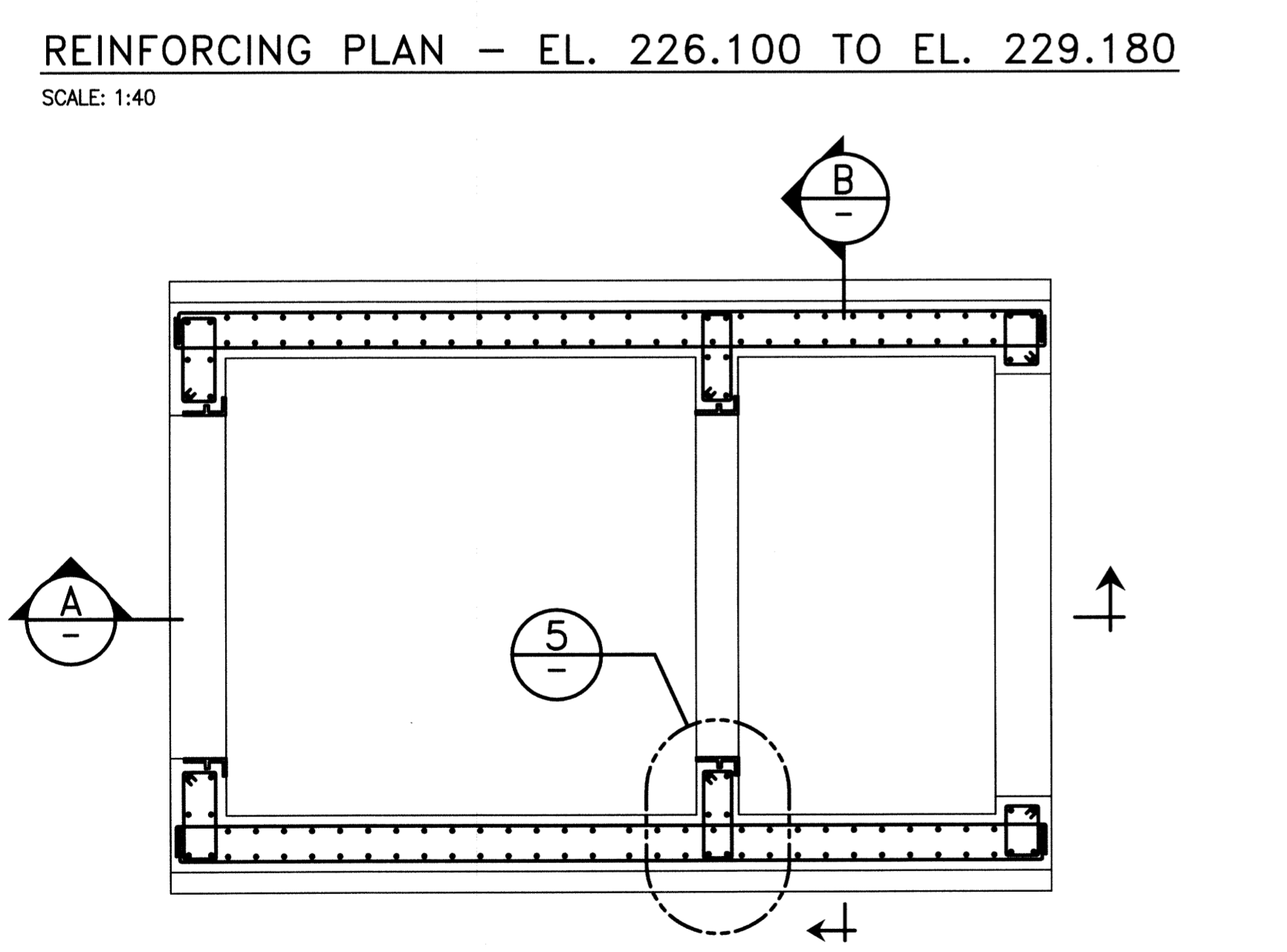
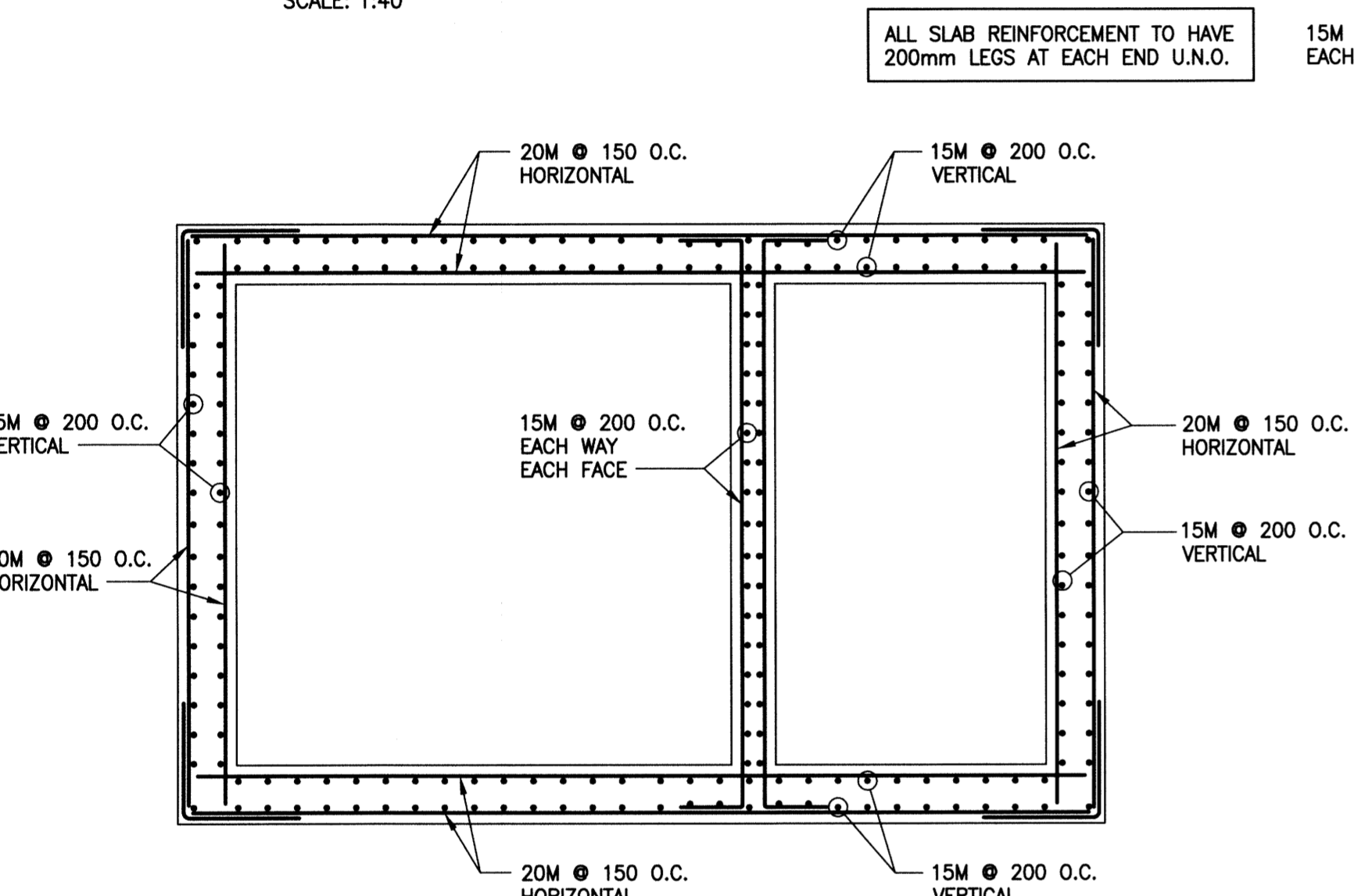
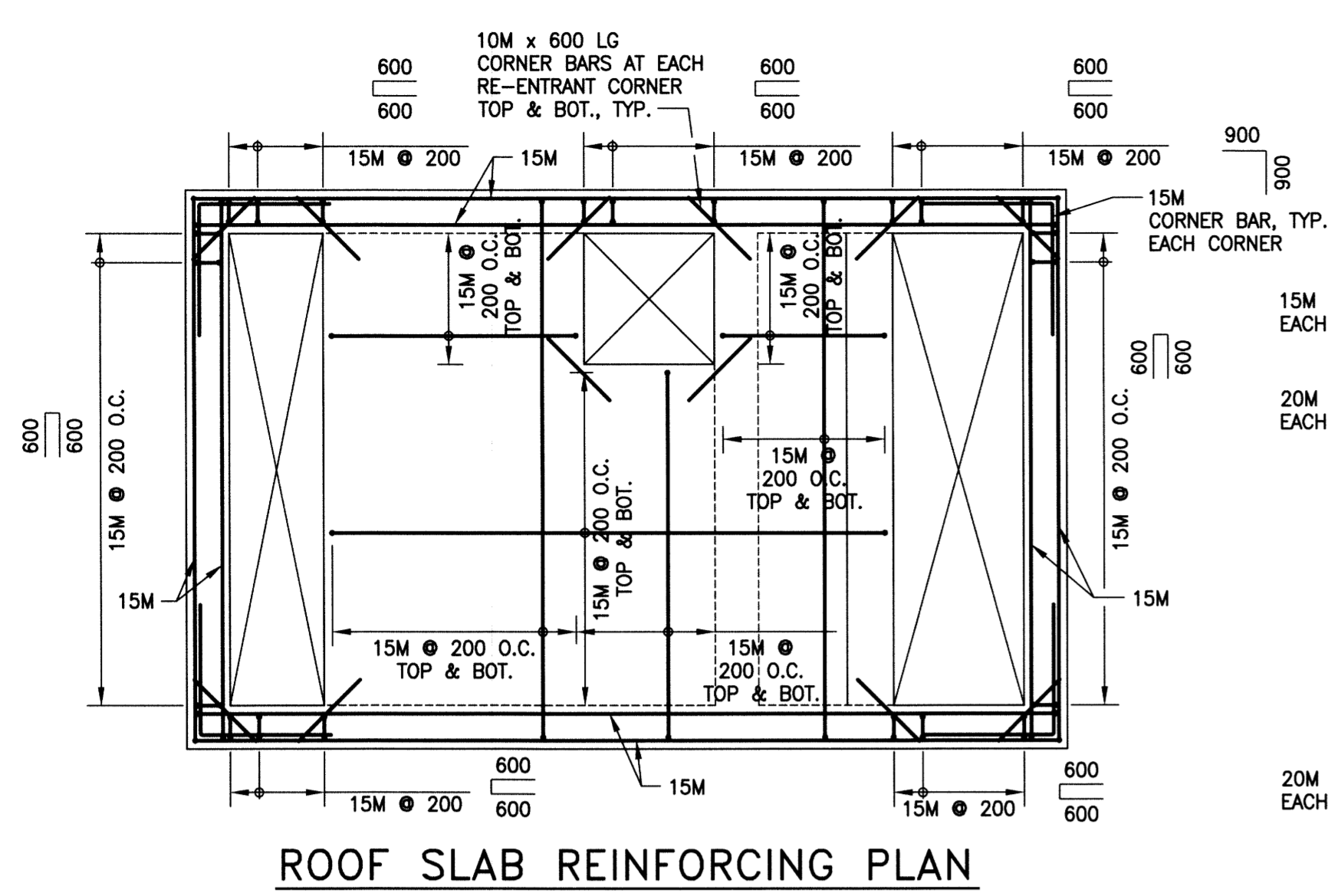


File Name: P:\Projects\2011\11-0107-18\Doc\Control\ToBeIssued\DWG\LD-7238-Rev 0.dwg - Tab: S3 Plotted By: DDeroche 11/06/2013 [Wed 11:44am]



**LOCATION APPROVED UNDERGROUND STRUCTURES**

SUPV. U/G STRUCTURES COMMITTEE DATE

NOTE:  
LOCATION OF UNDERGROUND STRUCTURES AS SHOWN ARE BASED ON THE BEST INFORMATION AVAILABLE BUT NO GUARANTEE IS GIVEN THAT ALL EXISTING UTILITIES ARE SHOWN OR THAT THE GIVEN LOCATIONS ARE EXACT. CONFIRMATION OF EXISTENCE AND EXACT LOCATION OF ALL SERVICES MUST BE OBTAINED FROM THE INDIVIDUAL UTILITIES BEFORE PROCEEDING WITH CONSTRUCTION.

NO.	REVISIONS	DATE	BY
0	ISSUED FOR TENDER	13/11/06	CMS

B.M. KGS BASE ELEV. -	DWGS BASED ON C.S.R.S. NAD 83 SYSTEM, UTM GRID

DESIGNED BY	KRD	CHECKED BY	CMS
DRAWN BY	FBV	APPROVED BY	
SCALE:	AS NOTED	RELEASED FOR CONSTRUCTION:	

ENGINEER'S SEAL

**C.M. SIEPMAN**  
Member 20815

CONSULTANT DRAWING NO.  
11-0107-18\_S3

**THE CITY OF WINNIPEG**  
WATER AND WASTE DEPARTMENT

PROJECT TITLE  
**COCKBURN/CALROSSIE COMBINED SEWER RELIEF WORKS  
NEW BNYG PLACE GATE CHAMBER (RR37B)**

SHEET OF  
01 OF 01

COMPUTER FILE NAME  
11-0107-18\_S3

CITY DRAWING NUMBER  
LD-7238

STRUCTURAL REINFORCING DETAILS