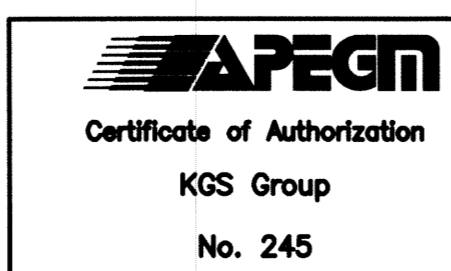
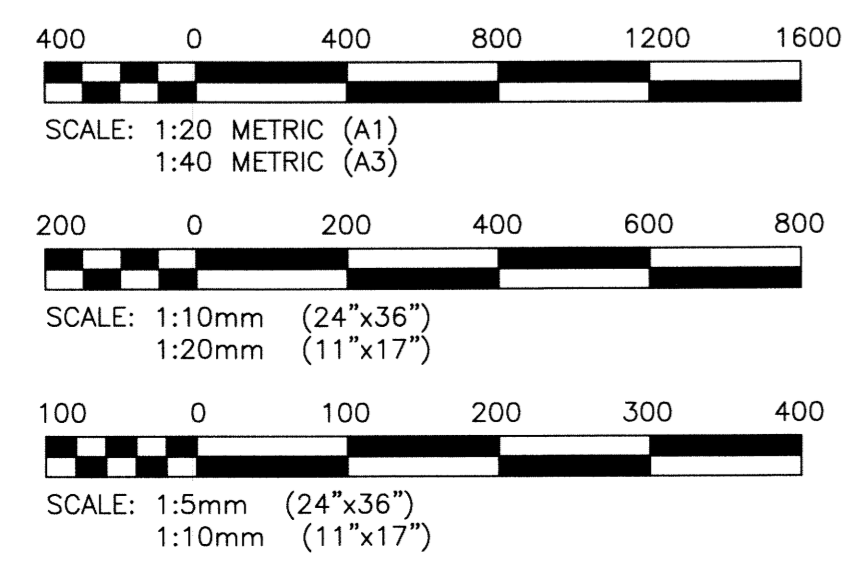
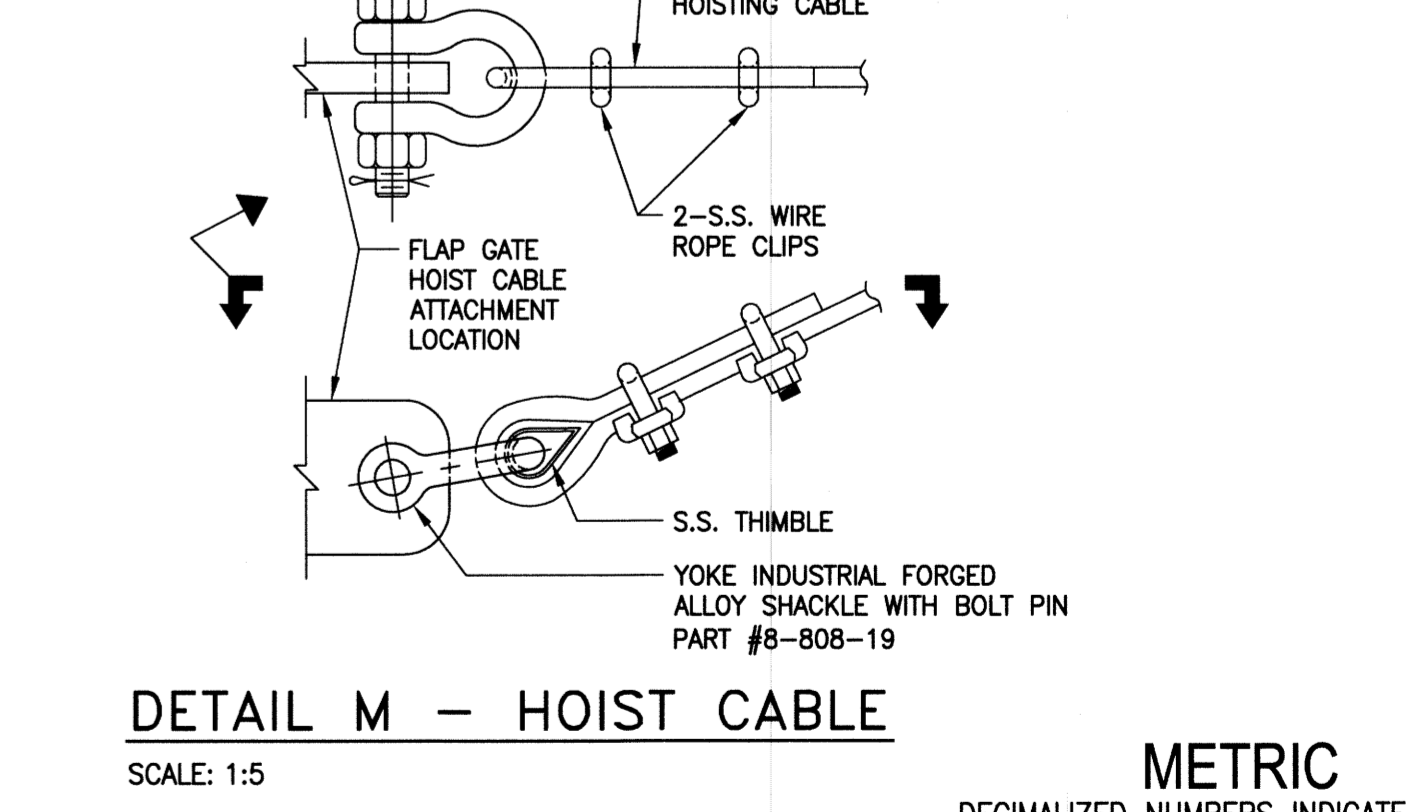
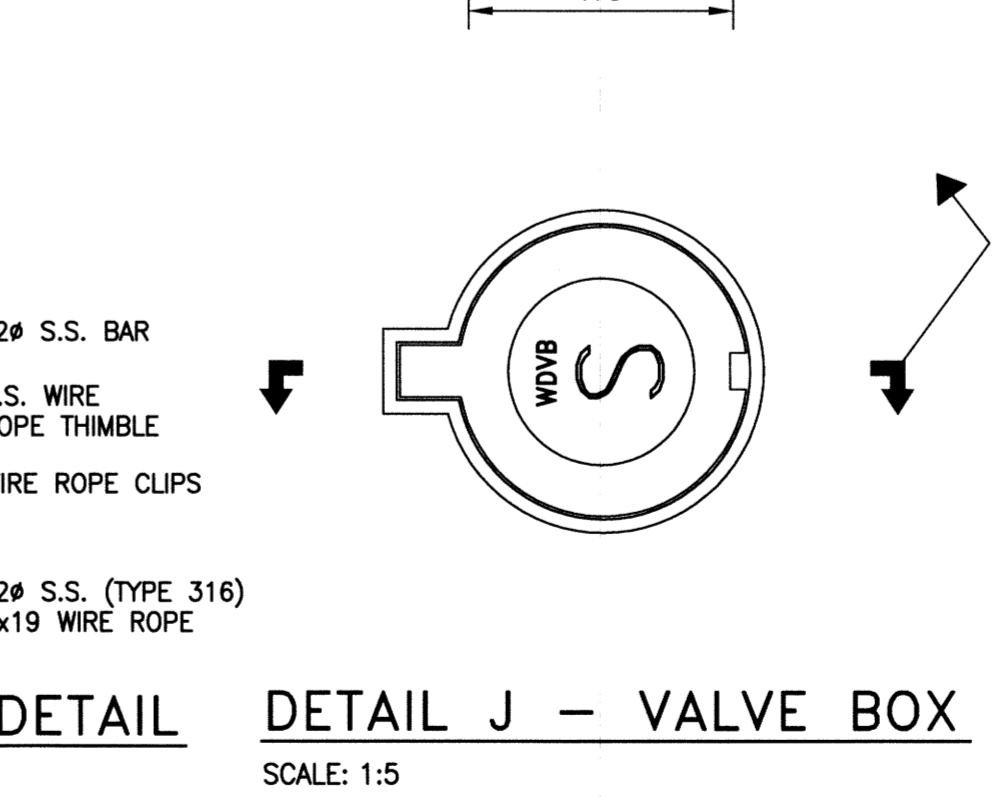
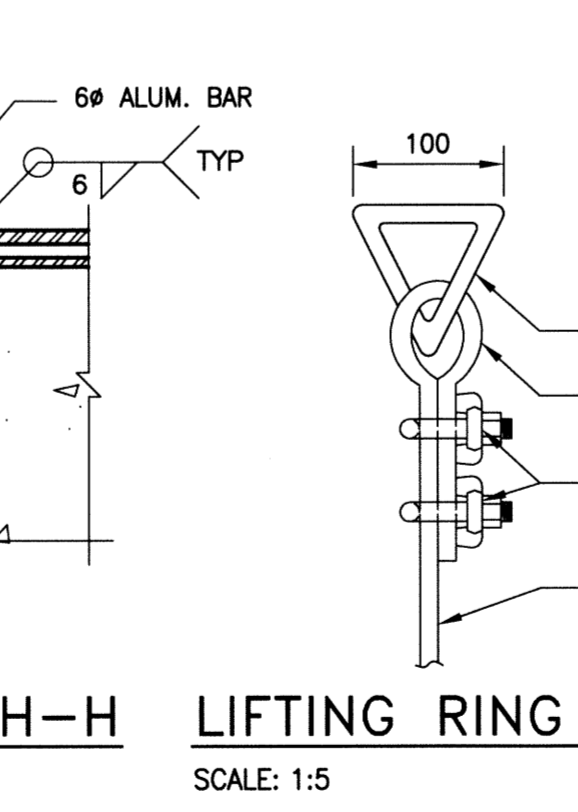
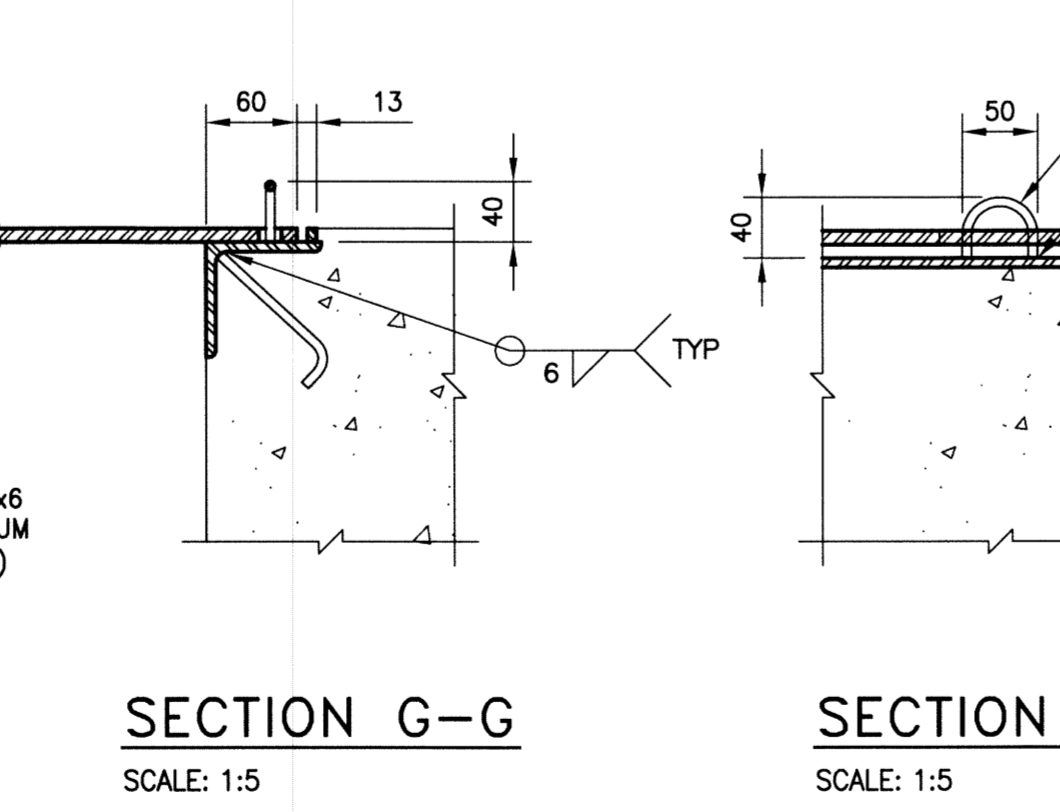
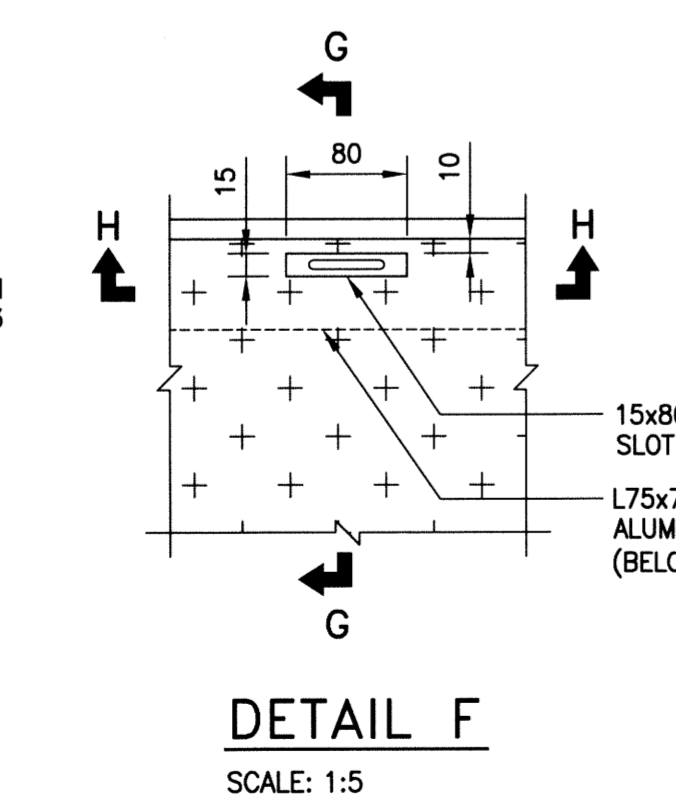
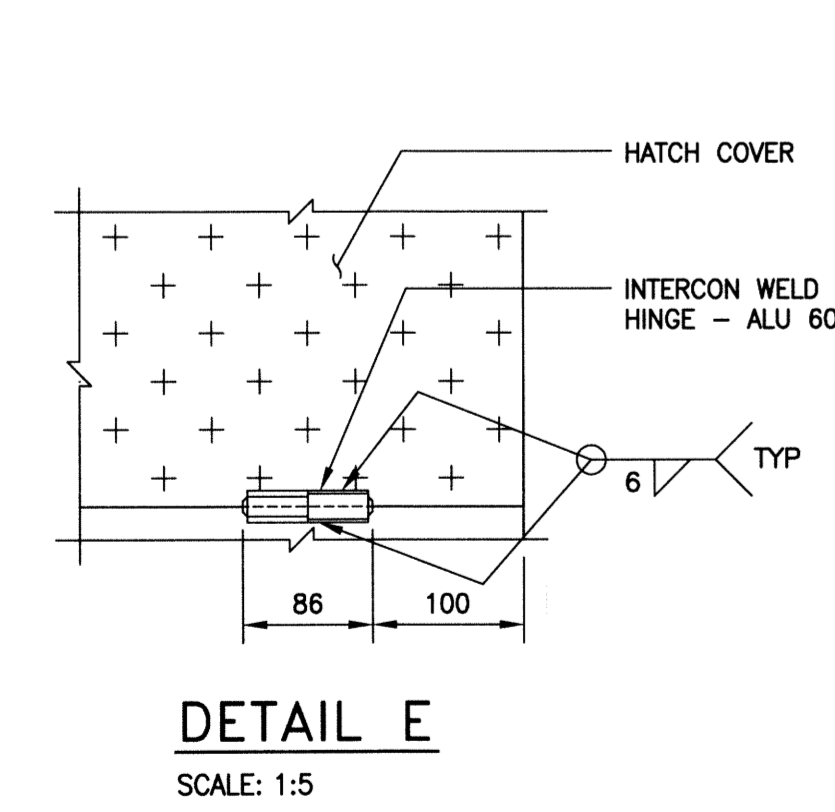
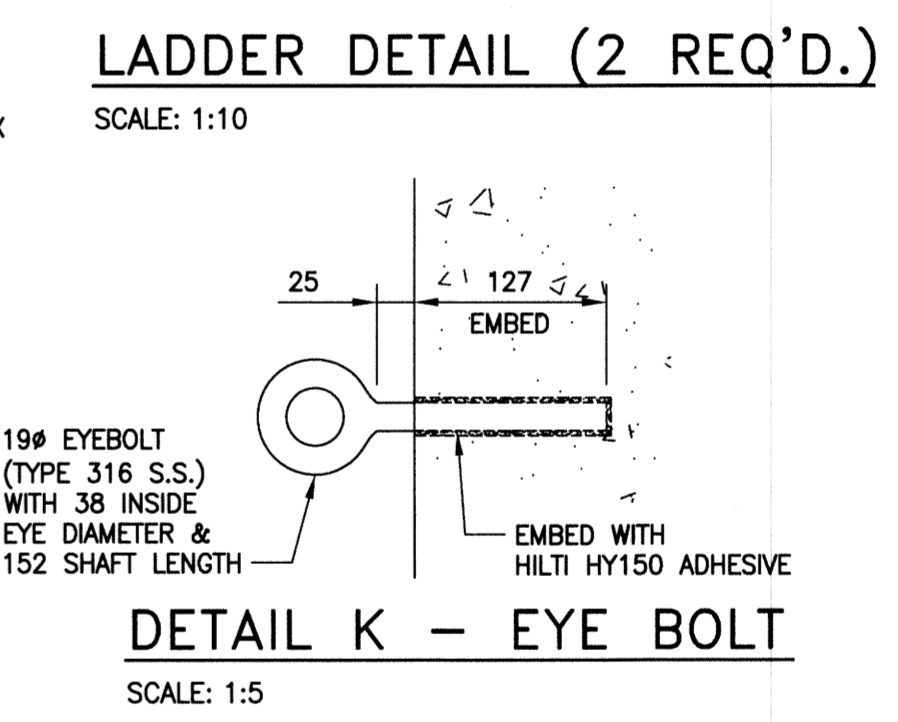
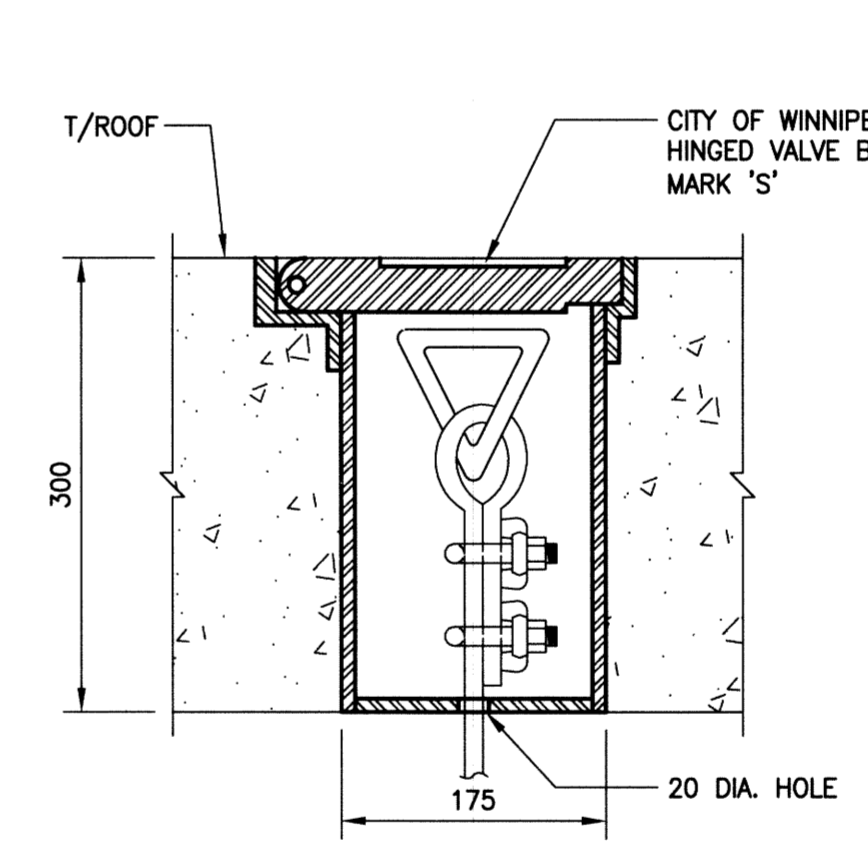
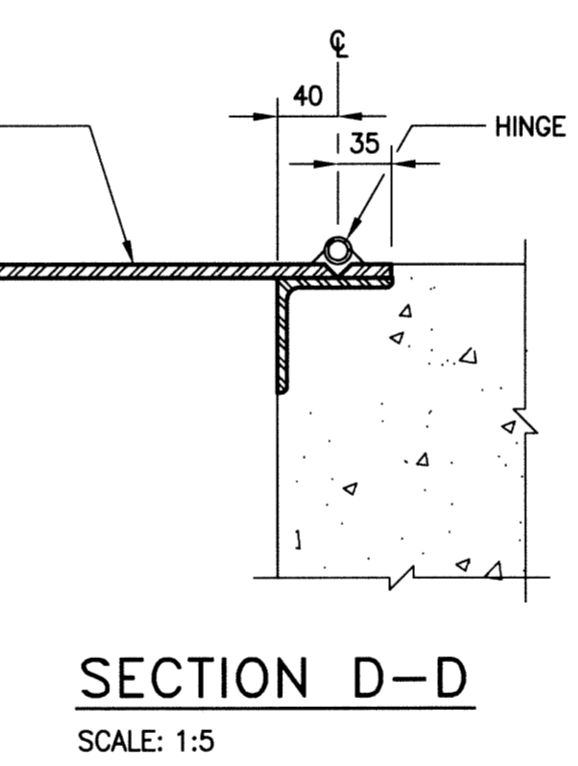
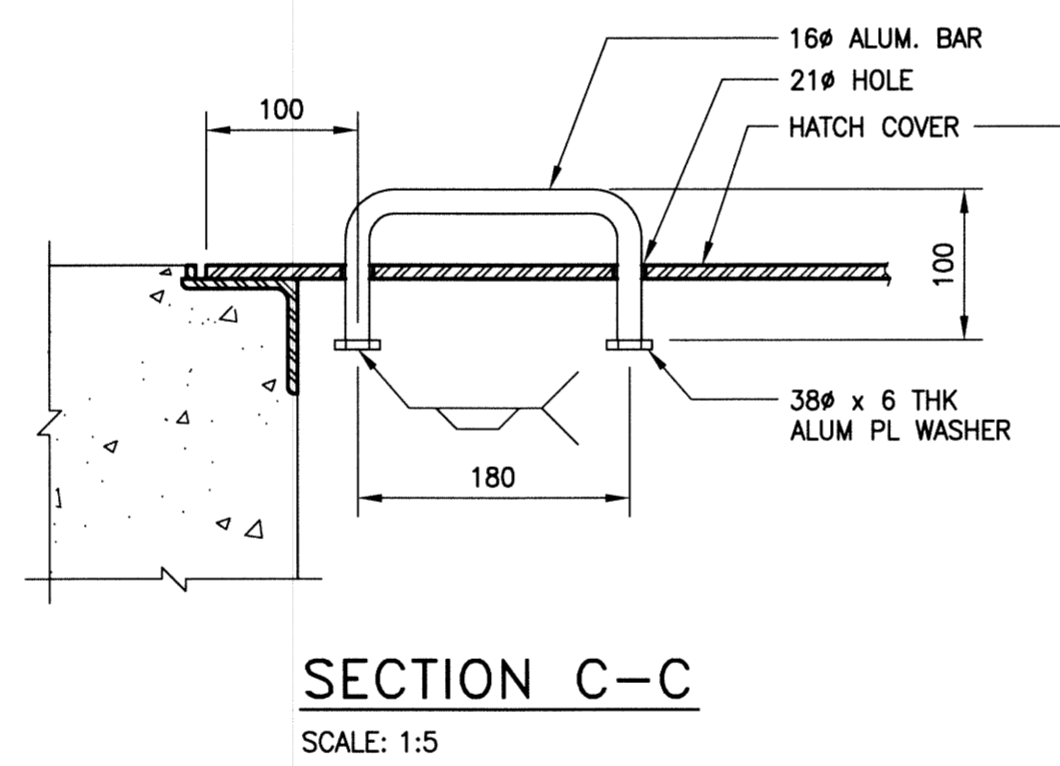
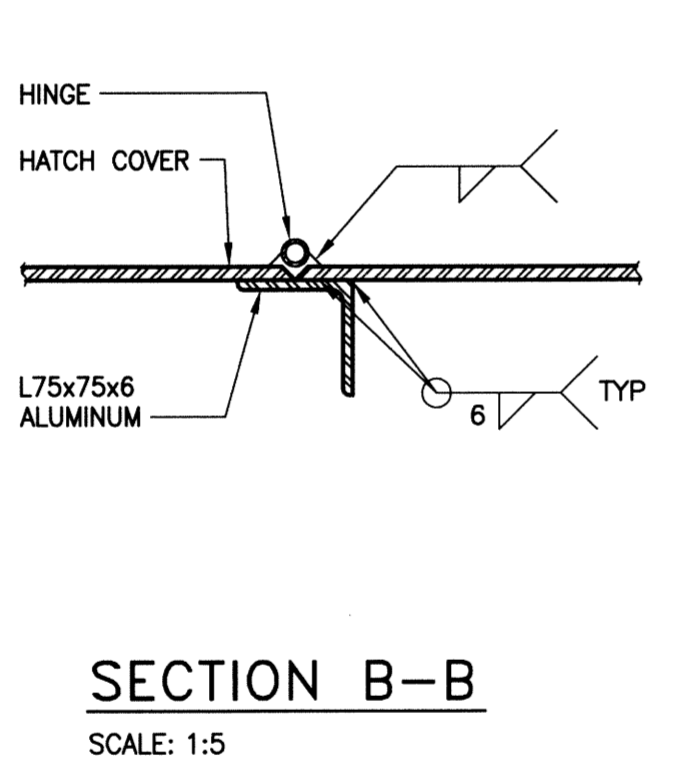
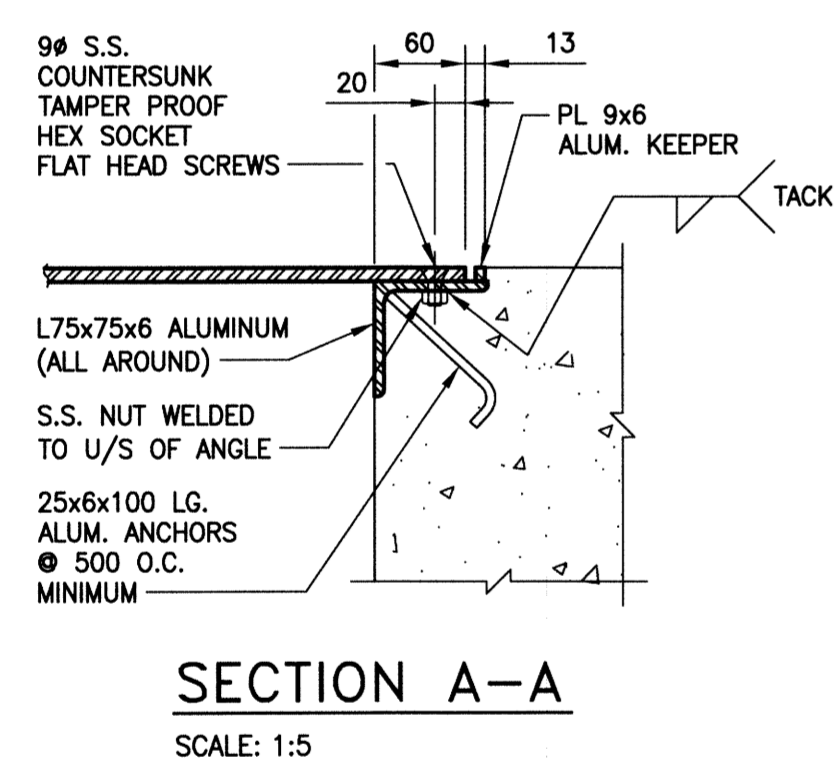
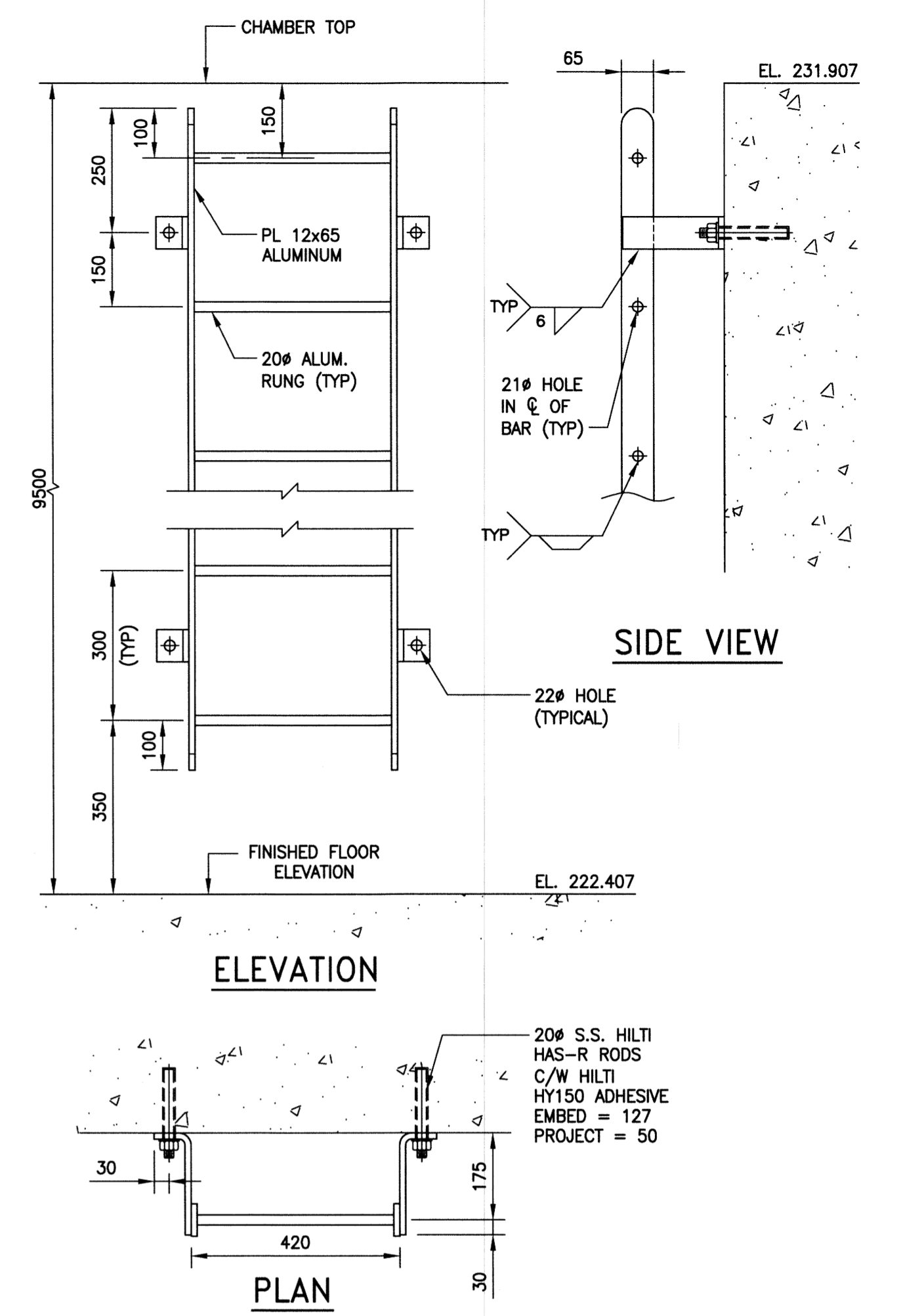
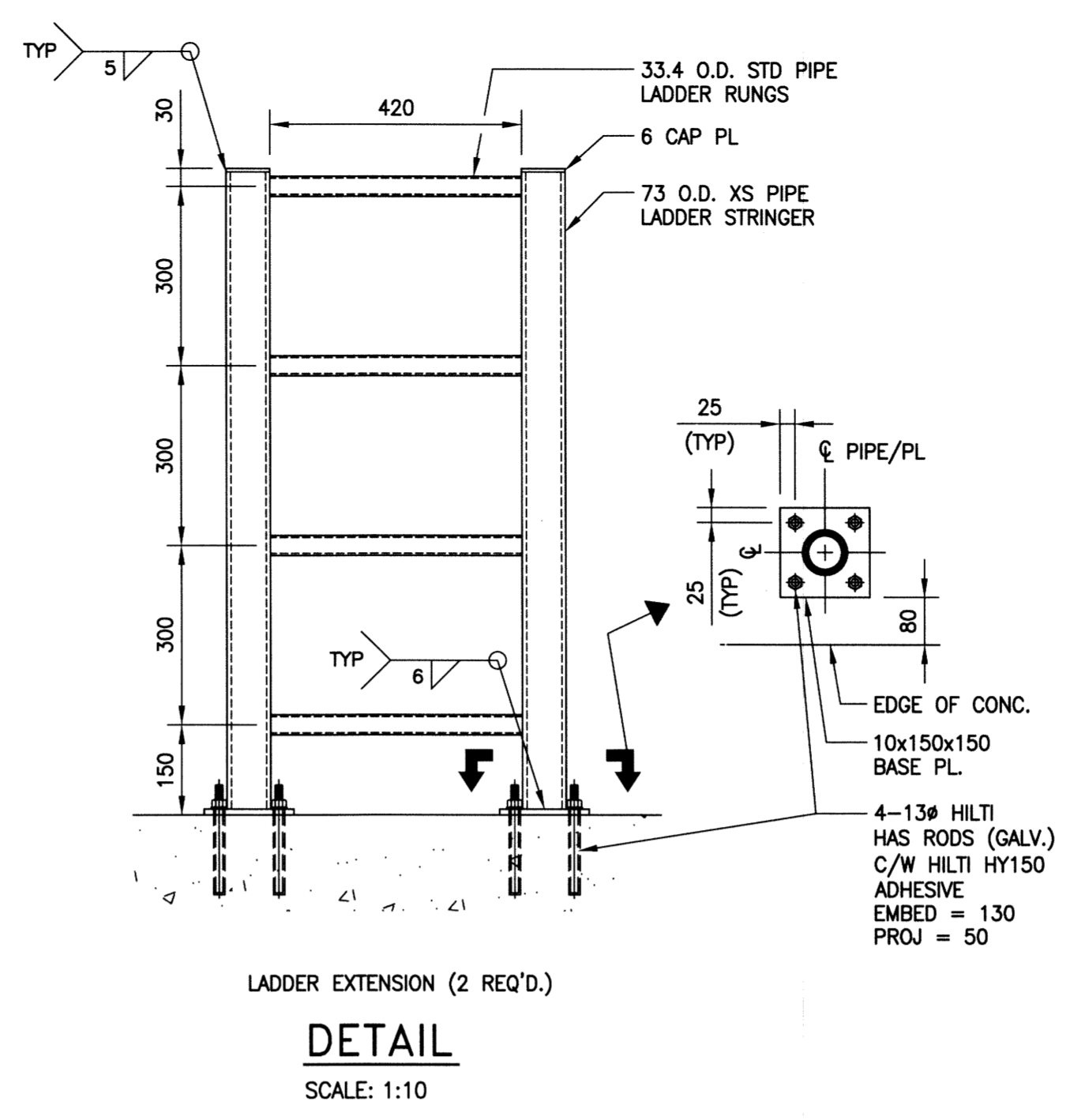
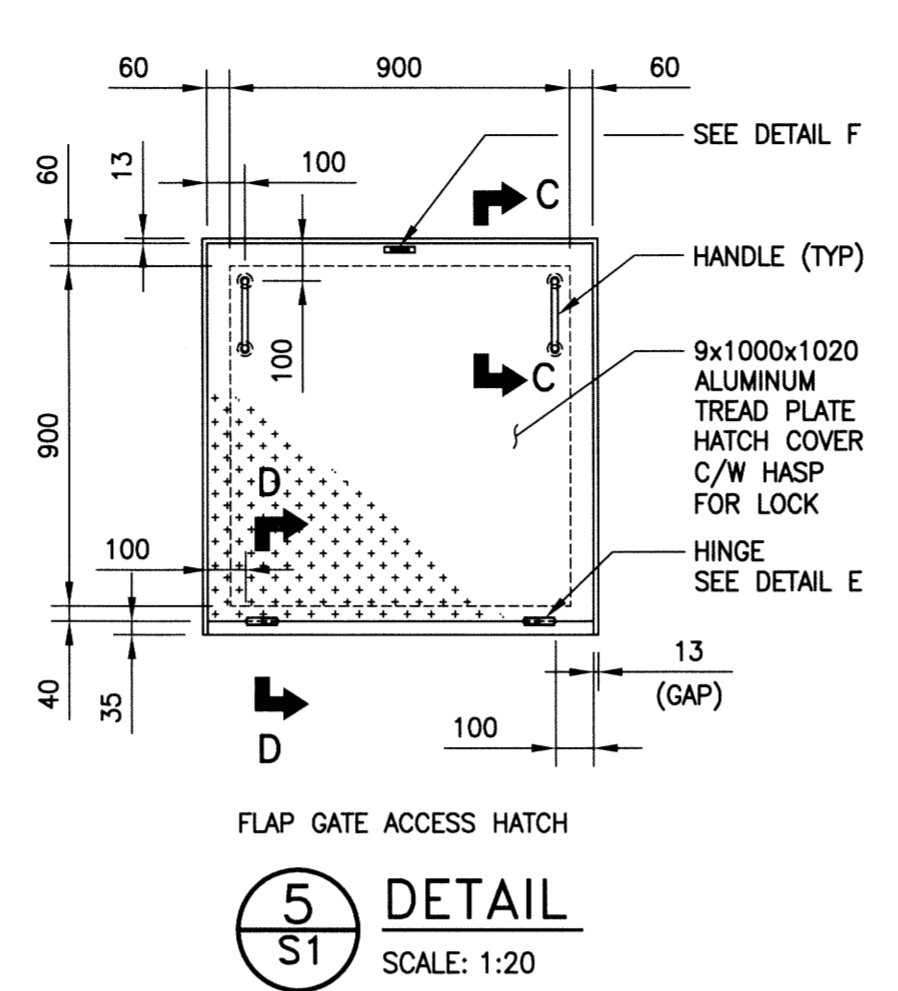
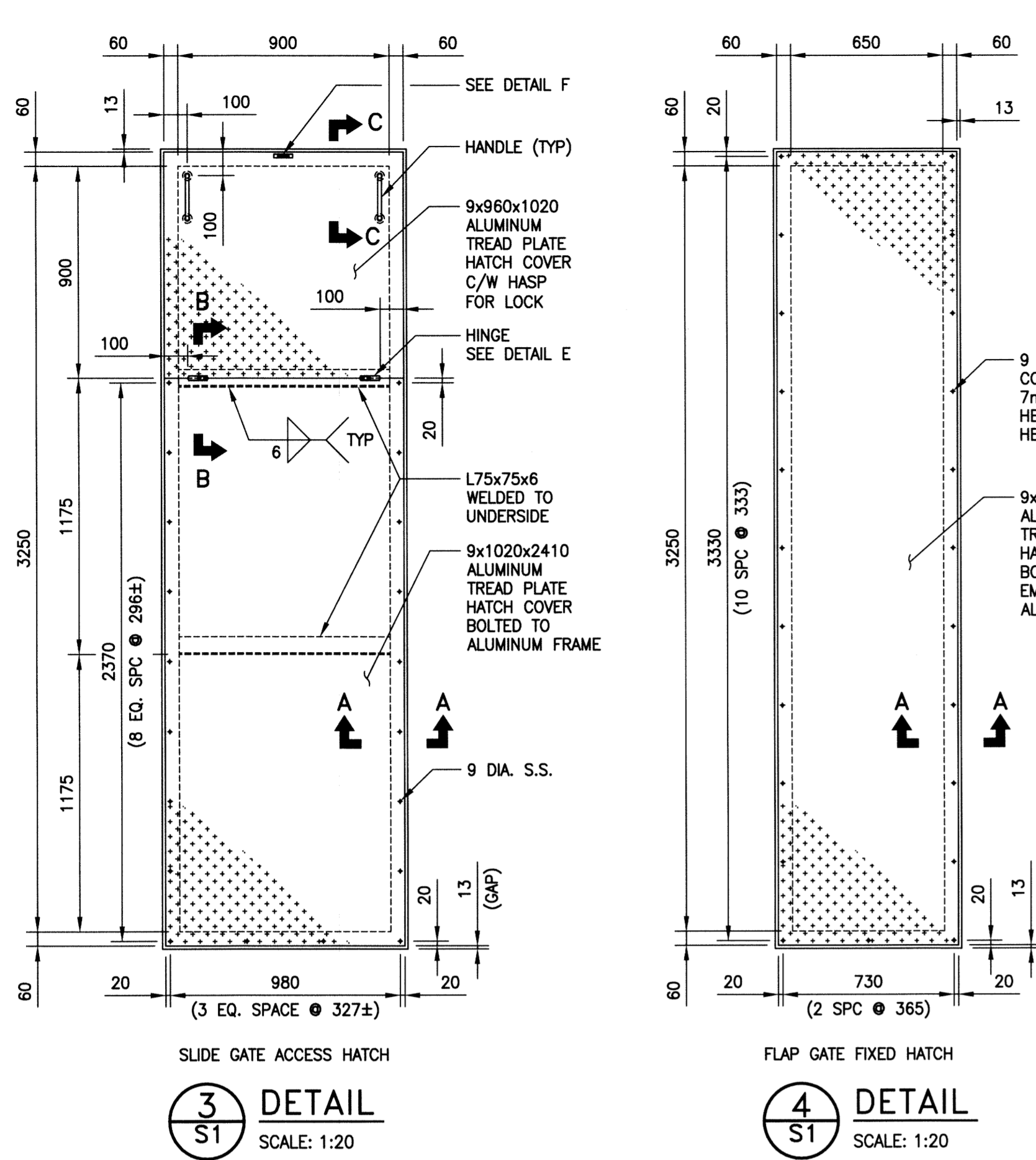


File Name: P:\Projects\2011\11-0107-18\Doc\Control\ToBeIssued\DWG\LD-7239-Rev 0.dwg - Tab: S4 Plotted By: Dberoché 11/06/2013 [Wed 11:43am]



LOCATION APPROVED UNDERGROUND STRUCTURES		B.M. KGS BASE ELEV. -	DWGS BASED ON C.S.R.S. NAD 83 SYSTEM, UTM GRID
SUPV. U/G STRUCTURES COMMITTEE	DATE		
NOTE: LOCATION OF UNDERGROUND STRUCTURES AS SHOWN ARE BASED ON THE BEST INFORMATION AVAILABLE BUT NO GUARANTEE IS GIVEN THAT ALL EXISTING UTILITIES ARE SHOWN OR THAT THE GIVEN LOCATIONS ARE EXACT. CONFIRMATION OF EXISTENCE AND EXACT LOCATION OF ALL SERVICES MUST BE OBTAINED FROM THE INDIVIDUAL UTILITIES BEFORE PROCEEDING WITH CONSTRUCTION.			
0	ISSUED FOR TENDER	13/11/06	CMS
NO.	REVISIONS	DATE	BY

<b>KGS GROUP</b> CONSULTING ENGINEERS	
DESIGNED BY KRD	CHECKED BY CMS
DRAWN BY FBV	APPROVED BY
SCALE: AS NOTED	RELEASED FOR CONSTRUCTION: DATE
13/10/16	

ENGINEER'S SEAL C.M. SIEPMAN Member 29813 PROFESSIONAL ENGINEER
CONSULTANT DRAWING NO. 11-0107-18_S4

<b>THE CITY OF WINNIPEG</b> WATER AND WASTE DEPARTMENT	
PROJECT TITLE COCKBURN/CALROSSIE COMBINED SEWER RELIEF WORKS NEW BNYG PLACE GATE CHAMBER (RR37B) STRUCTURAL MISC. METALS DETAILS	SHEET OF 01 OF 01 COMPUTER FILE NAME 11-0107-18_S4 CITY DRAWING NUMBER LD-7239

METRIC  
DECIMALIZED NUMBERS INDICATE METRES  
WHOLE NUMBERS INDICATE MILLIMETRES