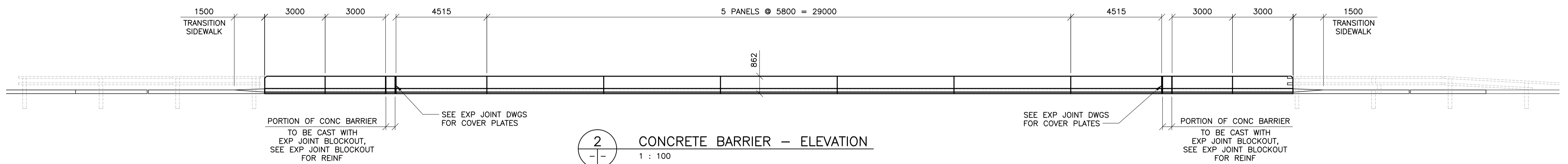
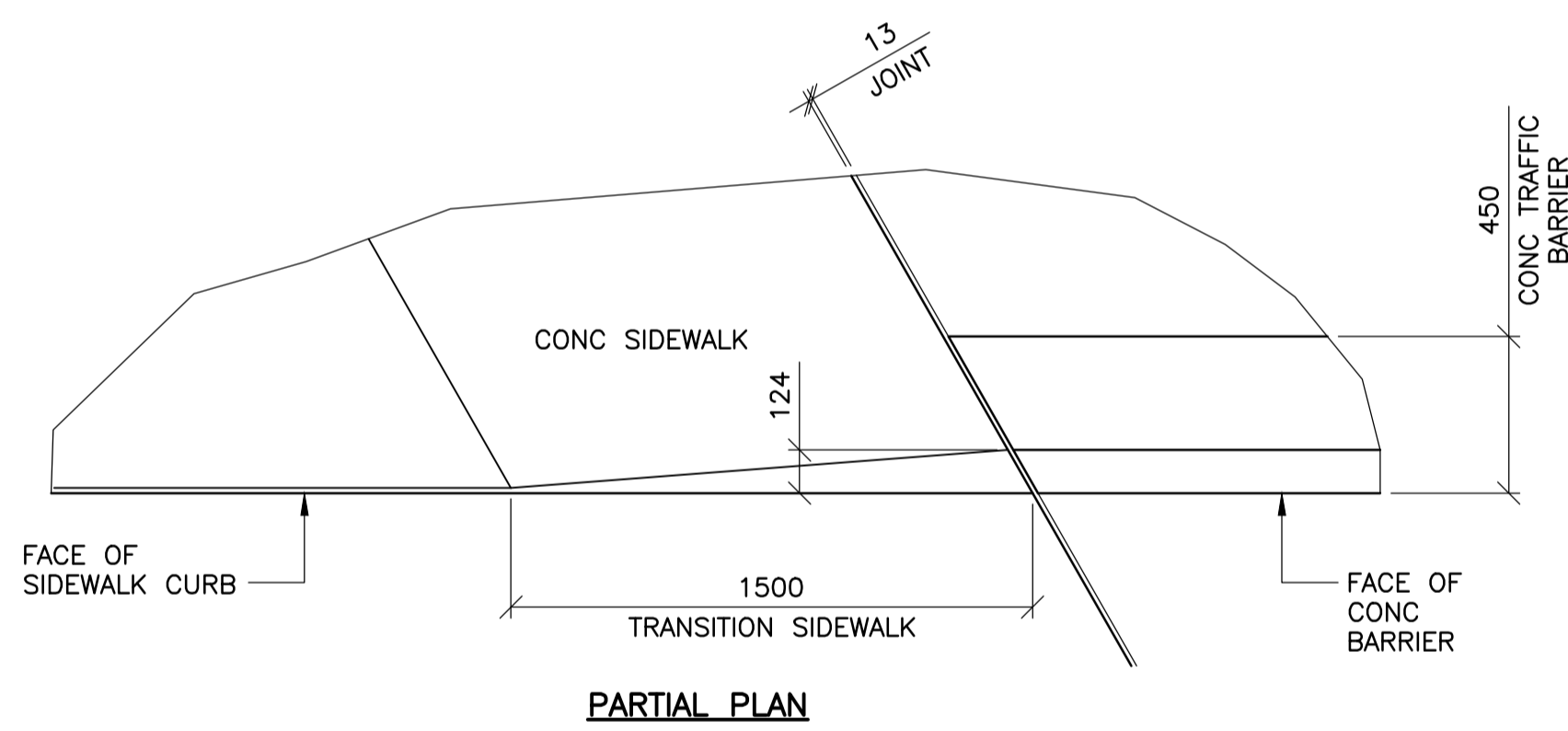


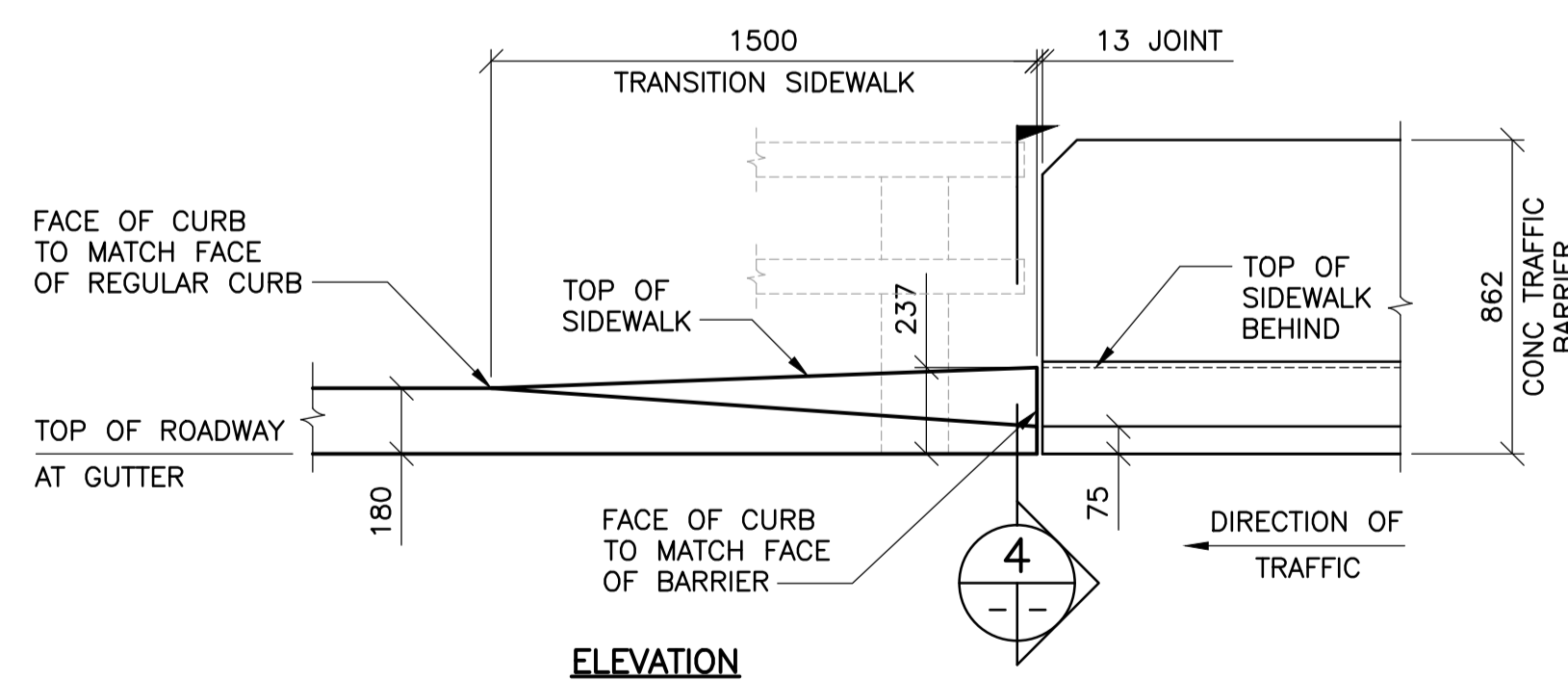
1 CONCRETE BARRIER - PLAN
 1 : 100
 - REFER TO SHEETS 15 FOR BARRIER SECTION DETAILS



2 CONCRETE BARRIER - ELEVATION
 1 : 100

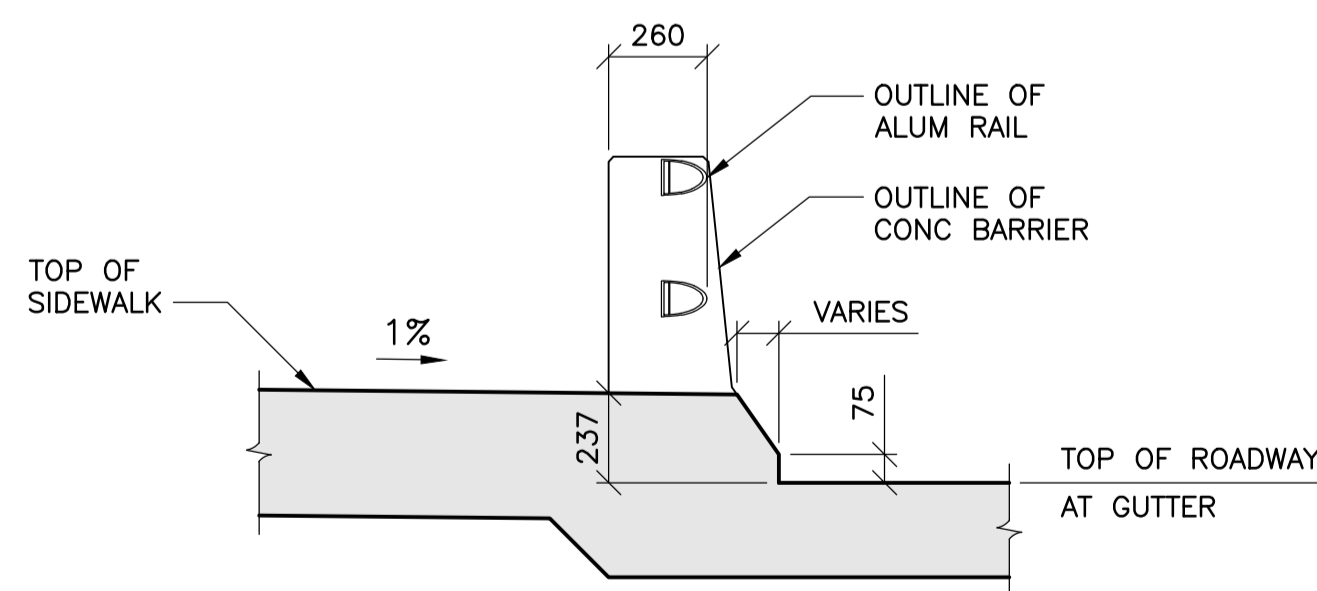


PARTIAL PLAN

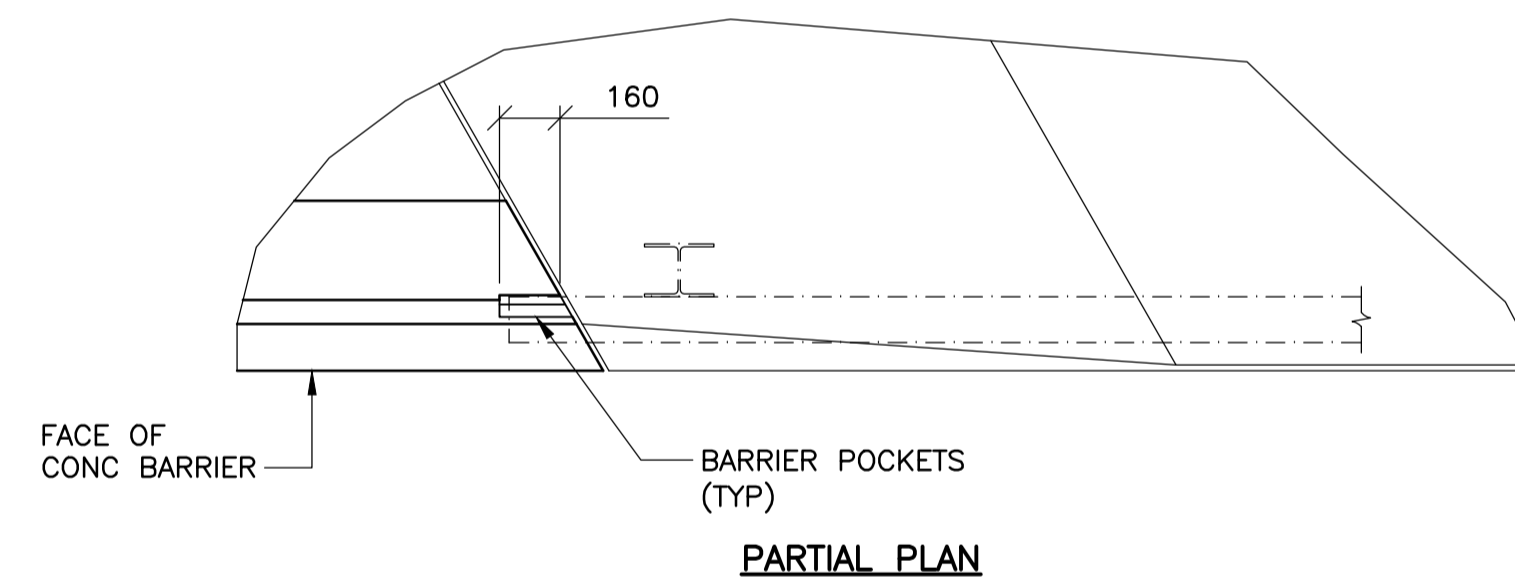


ELEVATION

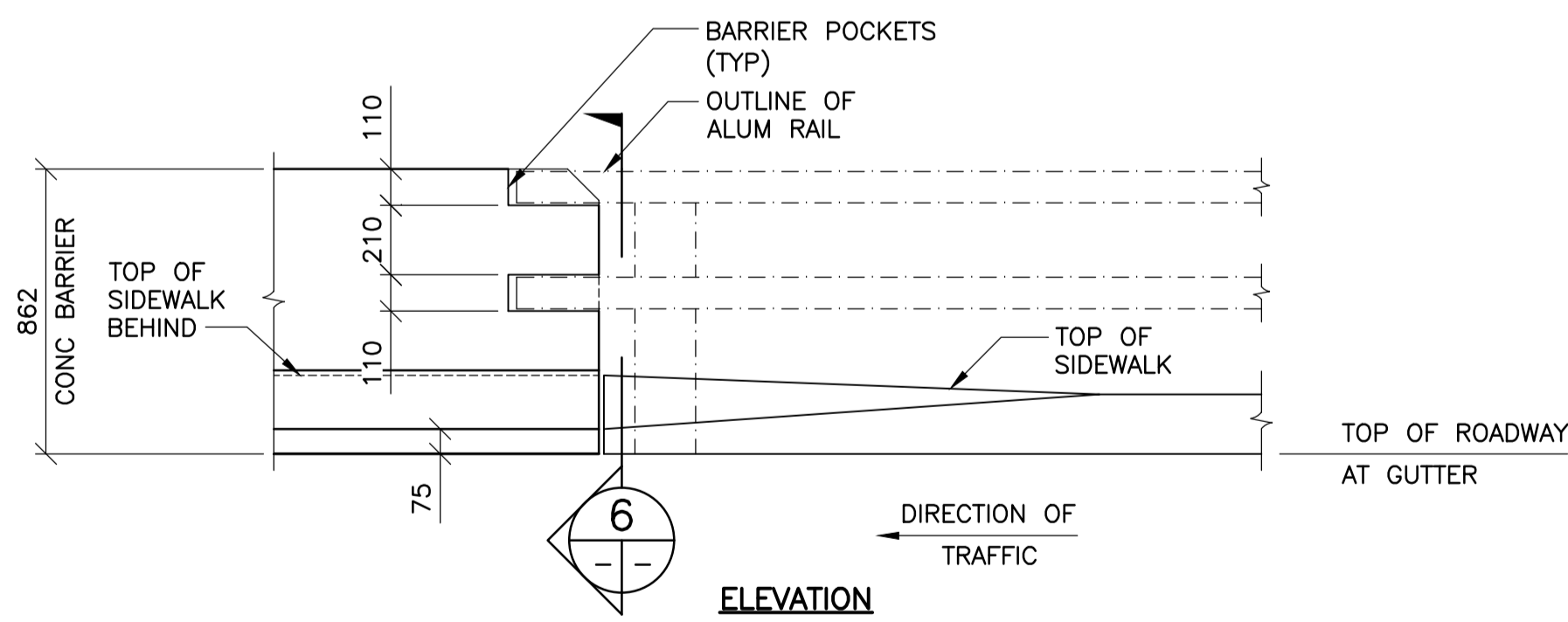
3 TRANSITION SIDEWALK
 1 : 20
 - WEST END AS SHOWN, EAST END SIMILAR



4 SECTION AT END OF TRANSITION
 1 : 20

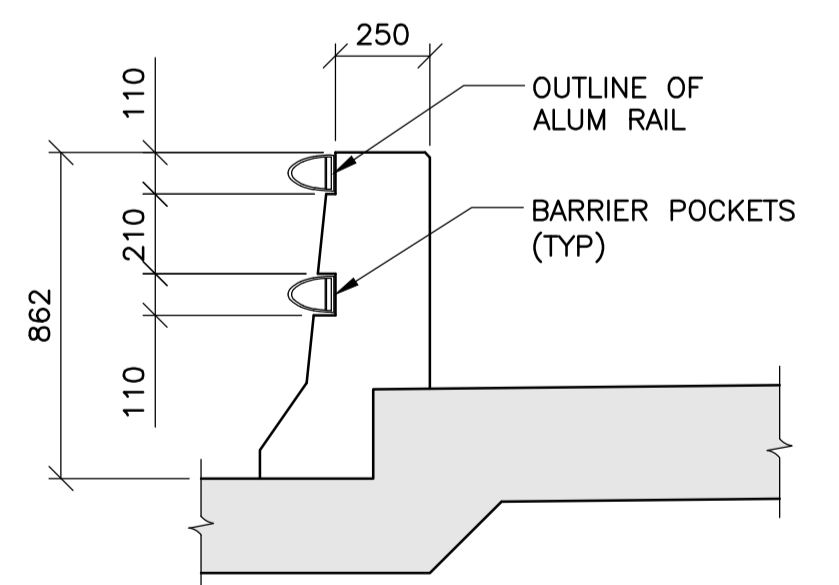


PARTIAL PLAN



ELEVATION

5 CONC BARRIER - RAIL POCKET DETAIL
 1 : 20
 - TYPICAL ON INSIDE FACE (ROADWAY SIDE) OF CONC BARRIER AT NORTHEAST END OF THE BRIDGE (PHASE 1 CONSTRUCTION) AND AT SOUTHWEST END OF THE BRIDGE (PHASE 2 CONSTRUCTION)



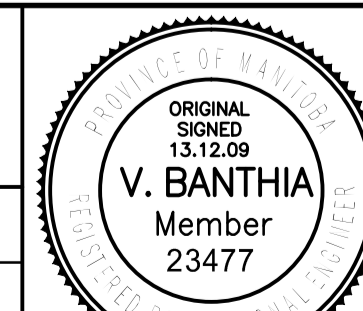
6 SECTION
 1 : 20



B.M. ELEV.	F.B.	NO.	REVISIONS	DATE	BY
		0	ISSUED FOR TENDER	13.12.09	V.B.
				13.07.18	



DESIGNED BY: D.M.	CHECKED BY: V.B.
DRAWN BY: G.I.	APPROVED BY: E.F.S.
HOR. SCALE: AS NOTED	RELEASED FOR CONSTRUCTION DATE: 13.12.09
VERTICAL: AS NOTED	ORIGINAL SIGNED: 13.12.09
	DATE: 13.07.18



CONSULTANT DRAWING NO. 1300070700-DWG-S0017



PORTAGE AVENUE TWIN BRIDGES OVER STURGEON CREEK REHABILITATION AND RELATED WORKS	CITY DRAWING NUMBER B178-14-017 SHEET 17 OF 70
PHASE 1 CONSTRUCTION NORTH STRUCTURE CONCRETE BARRIER LAYOUT	17