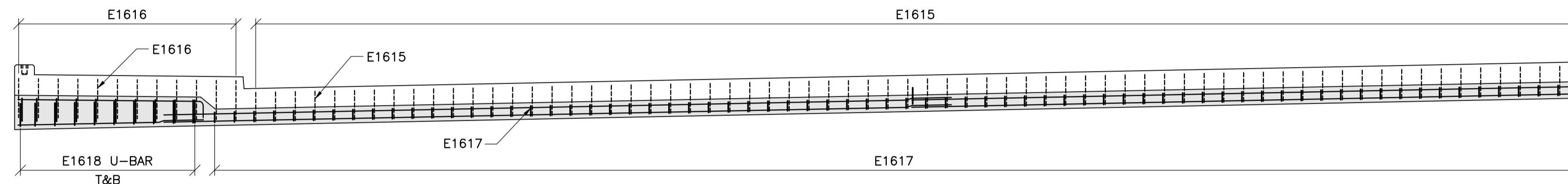
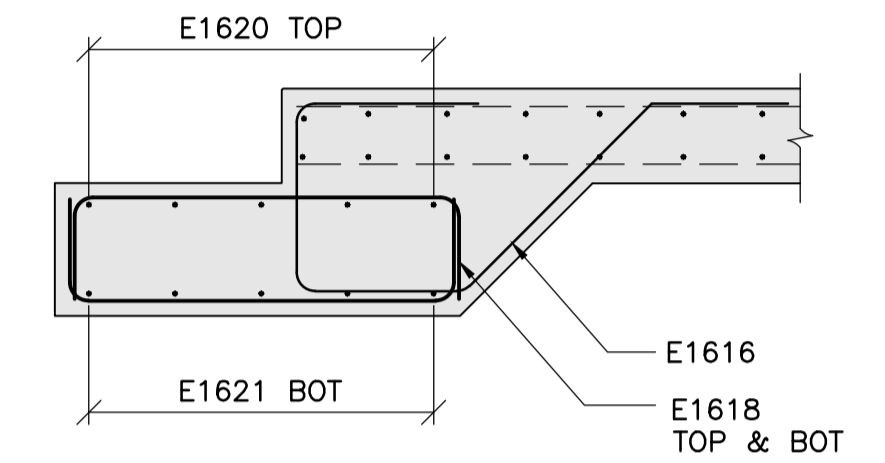


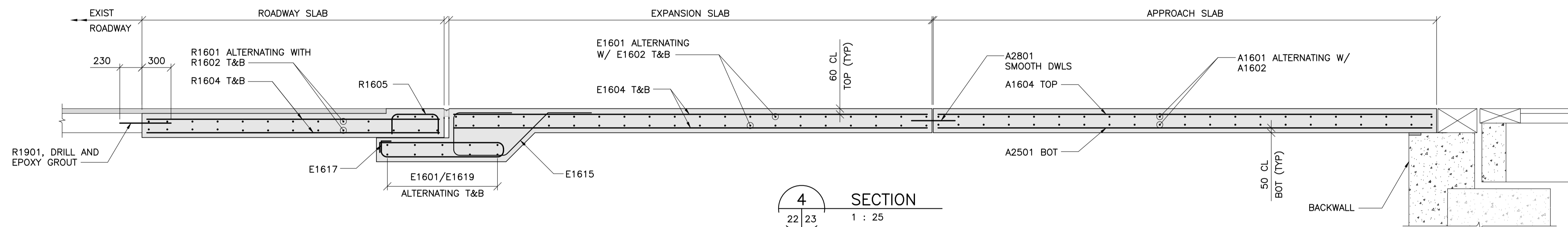
1 EXPANSION SLAB - THICKENED EDGE
1 : 50
- ROADWAY SLAB NOT SHOWN FOR CLARITY



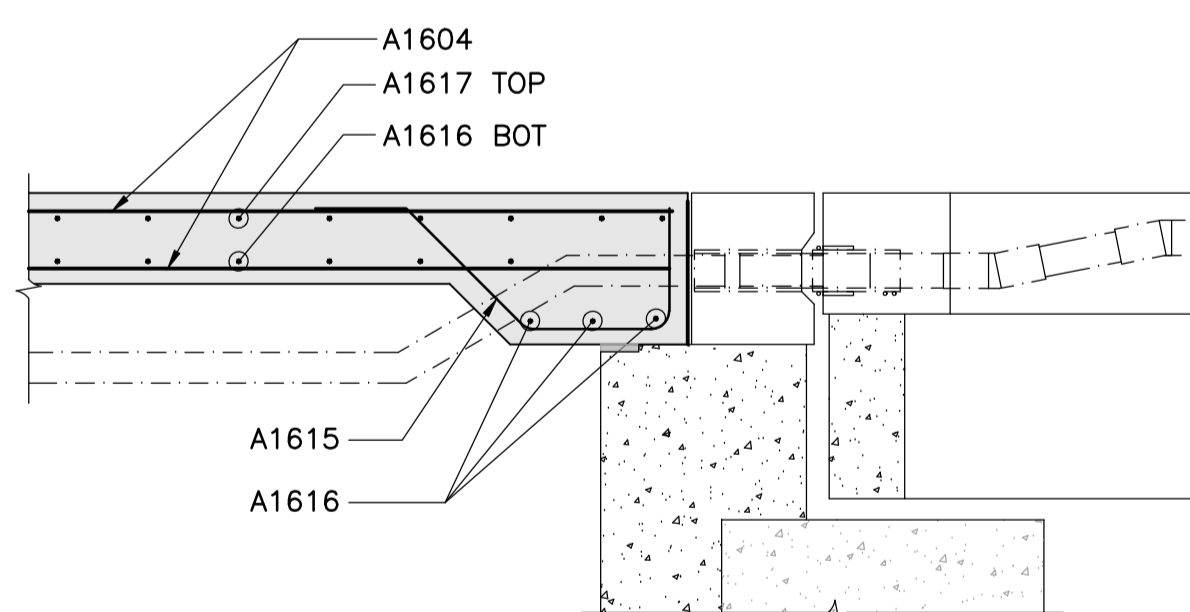
2 EXPANSION SLAB THICKENED EDGE - SECTION
1 : 50



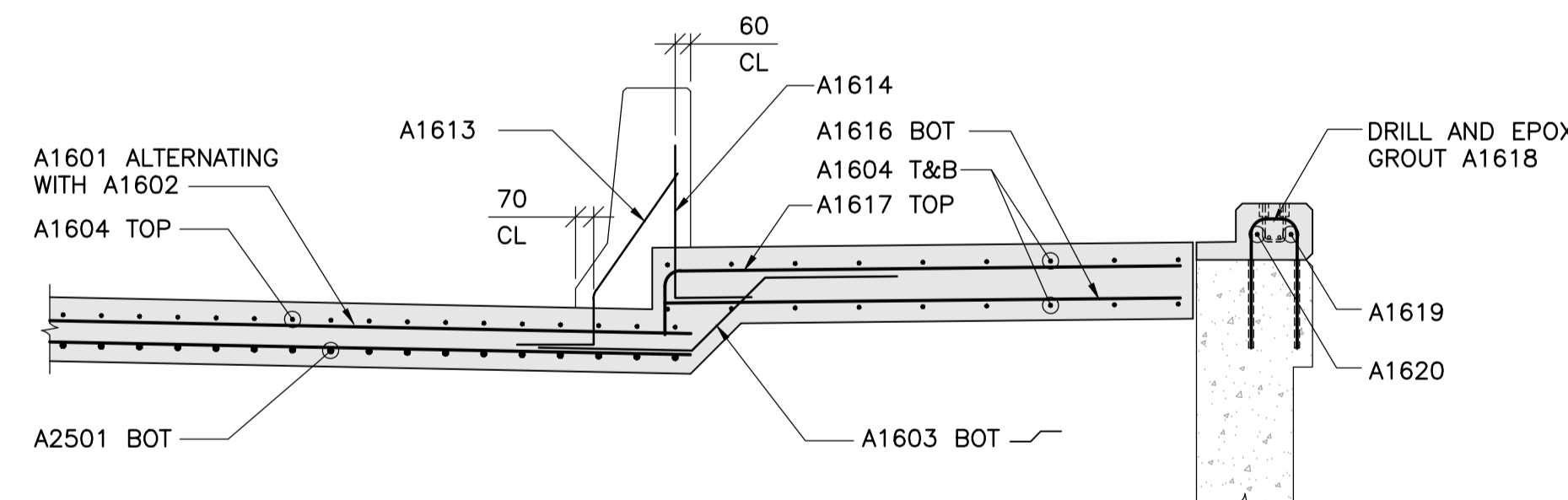
3 SECTION
1 : 25



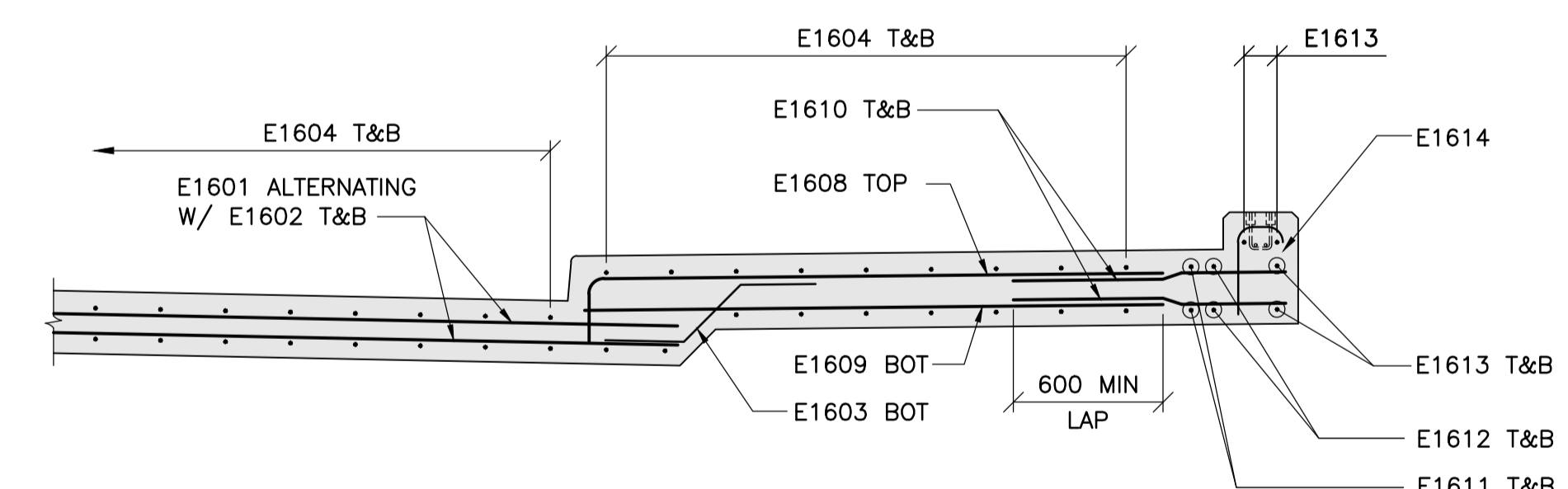
4 SECTION
22 23
1 : 25



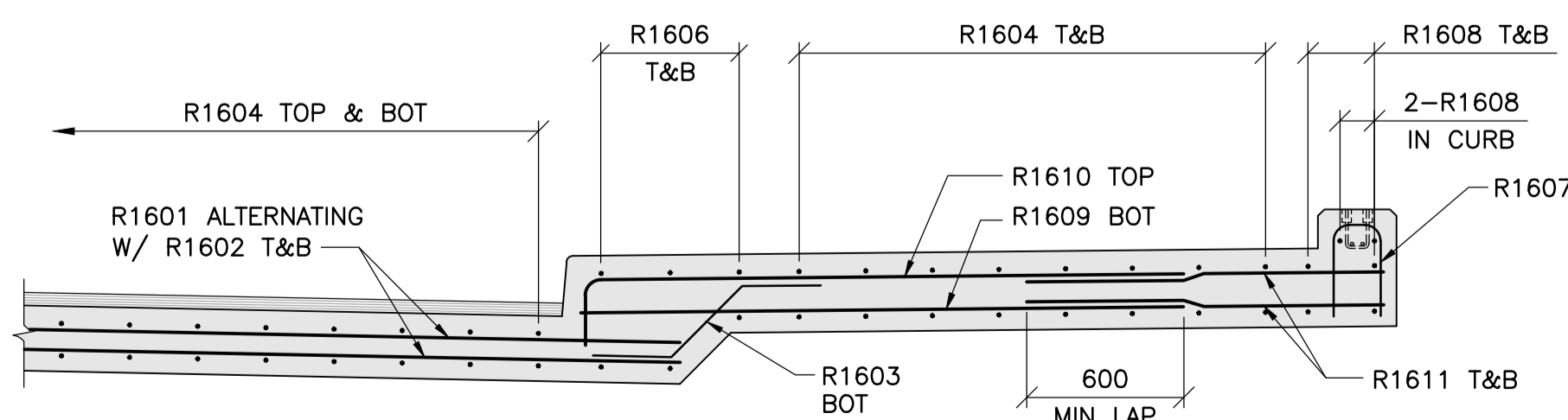
5 APPROACH SLAB SIDEWALK - SECTION
22 23
1 : 25
- DOWELS FROM ABUT BACKWALL NOT SHOWN FOR CLARITY



6 APPROACH SLAB SIDEWALK - SECTION
22 23
1 : 25



7 EXPANSION SLAB SIDEWALK - SECTION
22 23
1 : 25



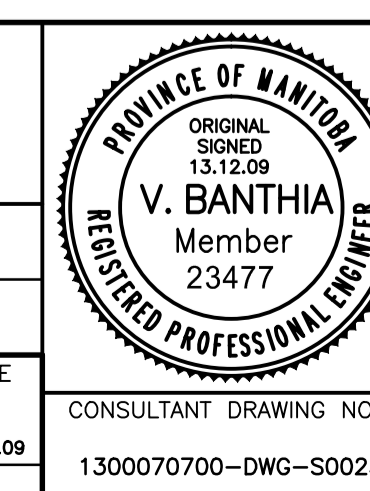
8 ROADWAY SLAB SIDEWALK - SECTION
22 23
1 : 25

NOTE:
LOCATE REINFORCING SPLICES NOT INDICATED ON THE DRAWINGS AT POINTS OF MINIMUM STRESS. LOCATIONS OF SPLICES TO BE APPROVED BY CONTRACT ADMINISTRATOR.



B.M. ELEV.	F.B.	DATE	BY
		13.12.09	V.B.
		13.07.18	

TETRA TECH	
DESIGNED BY: D.M.	CHECKED BY: V.B.
DRAWN BY: B.M.	APPROVED BY: E.F.S.
HOR. SCALE: AS NOTED	RELEASED FOR CONSTRUCTION DATE: 13.12.09
VERTICAL: AS NOTED	ORIGINAL SIGNED: 13.12.09
0 ISSUED FOR TENDER	DATE: 13.07.18
NO. REVISIONS	DATE



THE CITY OF WINNIPEG PUBLIC WORKS DEPARTMENT ENGINEERING DIVISION	PORTAGE AVENUE TWIN BRIDGES OVER STURGEON CREEK REHABILITATION AND RELATED WORKS	CITY DRAWING NUMBER B178-14-023 SHEET 23 OF 70
	PHASE 1 CONSTRUCTION WEST APPROACH SLAB REINFORCING	23