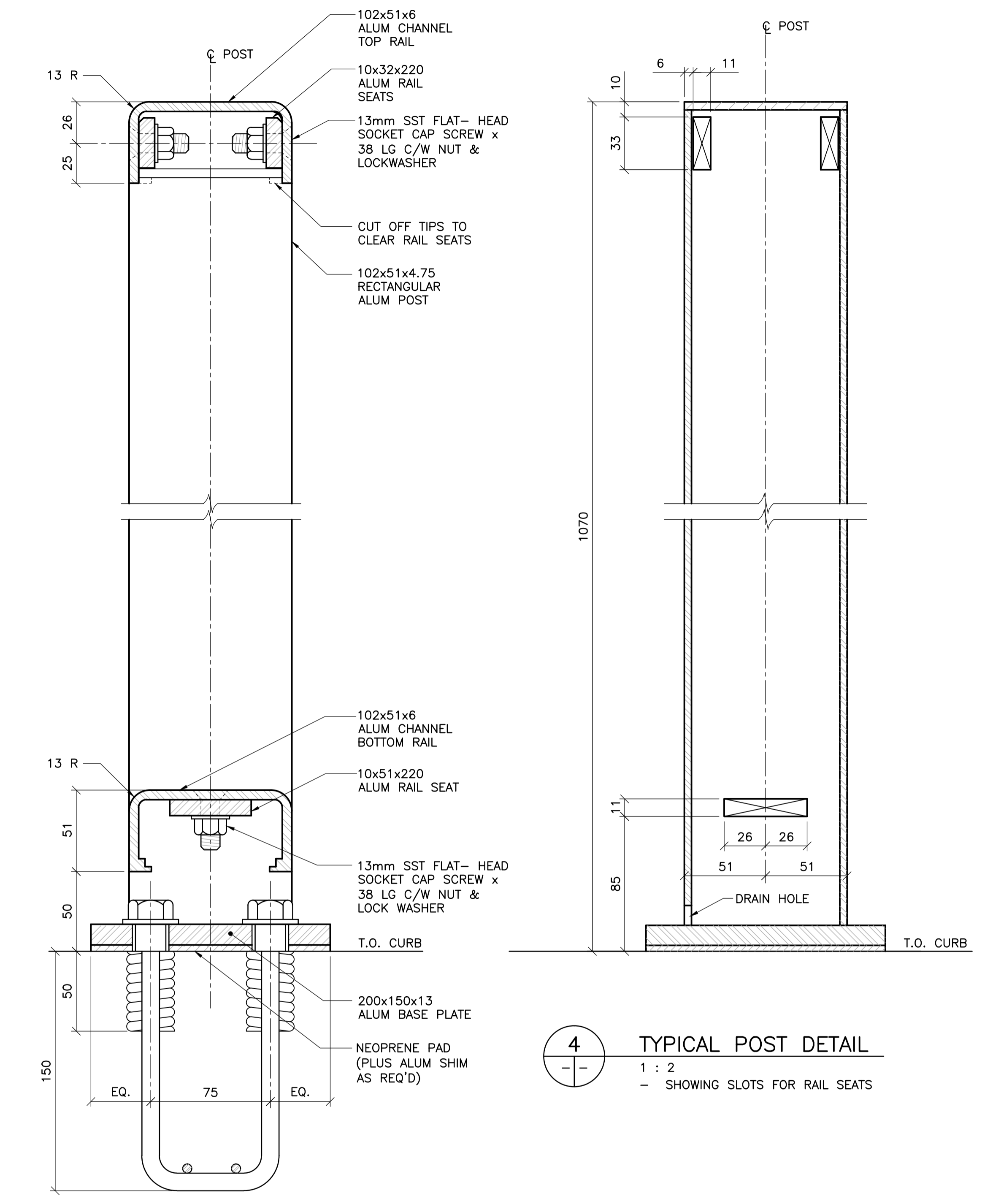


1 DETAIL AT END POSTS  
1 : 2

2 DETAIL AT INTERMEDIATE POSTS  
1 : 2



3 HANDRAIL POST SECTION  
1 : 2

4 TYPICAL POST DETAIL  
1 : 2  
- SHOWING SLOTS FOR RAIL SEATS



B.M. ELEV.	F.B.	DATE	BY
0	ISSUED FOR TENDER	13.12.09	V.B.
	NO. REVISIONS	DATE	BY
		13.07.18	

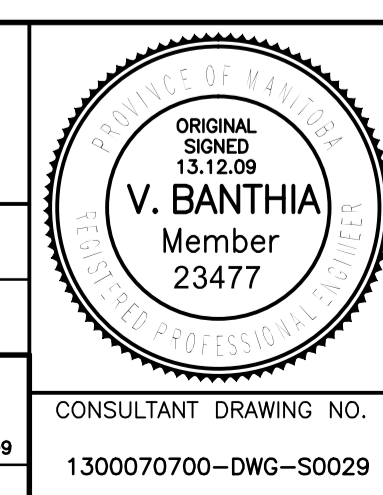
**TETRA TECH**

DESIGNED BY: D.M. CHECKED BY: V.B.  
 DRAWN BY: G.I. APPROVED BY: E.F.S.

HOR. SCALE: AS NOTED  
 VERTICAL: AS NOTED

RELEASED FOR CONSTRUCTION DATE: 13.12.09  
 ORIGINAL SIGNED: 13.12.09

J. BURNETT, P. ENG. BRIDGE PROJ. ENGR



**THE CITY OF WINNIPEG**  
 PUBLIC WORKS DEPARTMENT  
 ENGINEERING DIVISION

PORTAGE AVENUE TWIN BRIDGES  
 OVER STURGEON CREEK  
 REHABILITATION AND RELATED WORKS

PHASE 1 CONSTRUCTION  
 ALUMINUM PEDESTRIAN HANDRAIL  
 SECTIONS AND DETAILS

CITY DRAWING NUMBER: B178-14-029  
 SHEET 29 OF 70

CONSULTANT DRAWING NO.: 1300070700-DWG-S0029

29