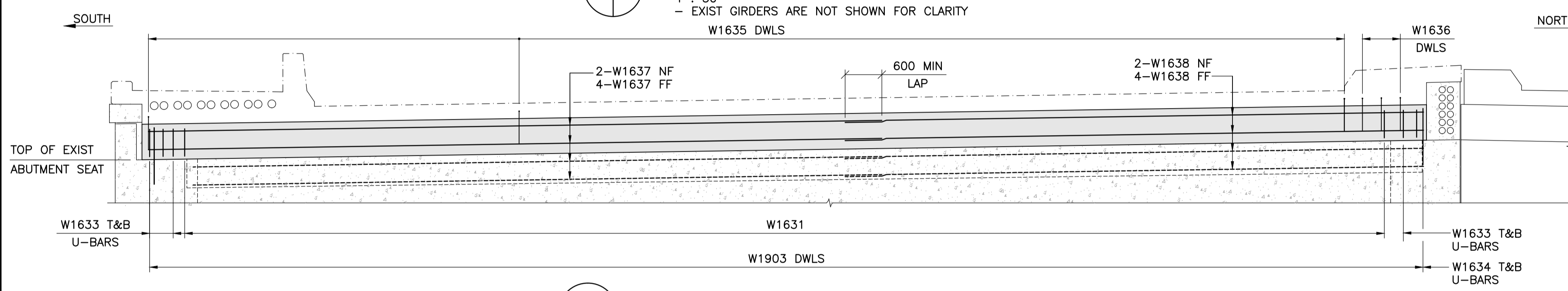
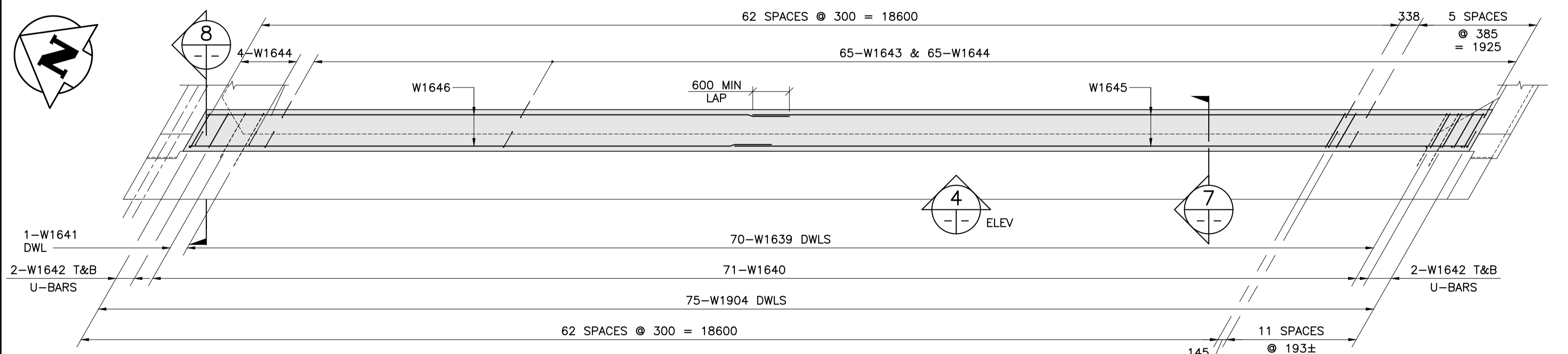


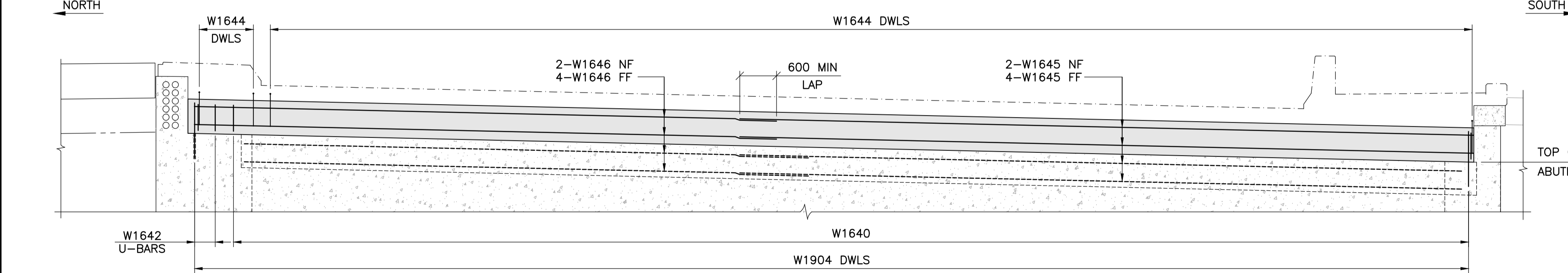
1 PLAN - WEST ABUTMENT REINF
 1 : 50
 - EXIST GIRDERS ARE NOT SHOWN FOR CLARITY
 W1635 DWLS



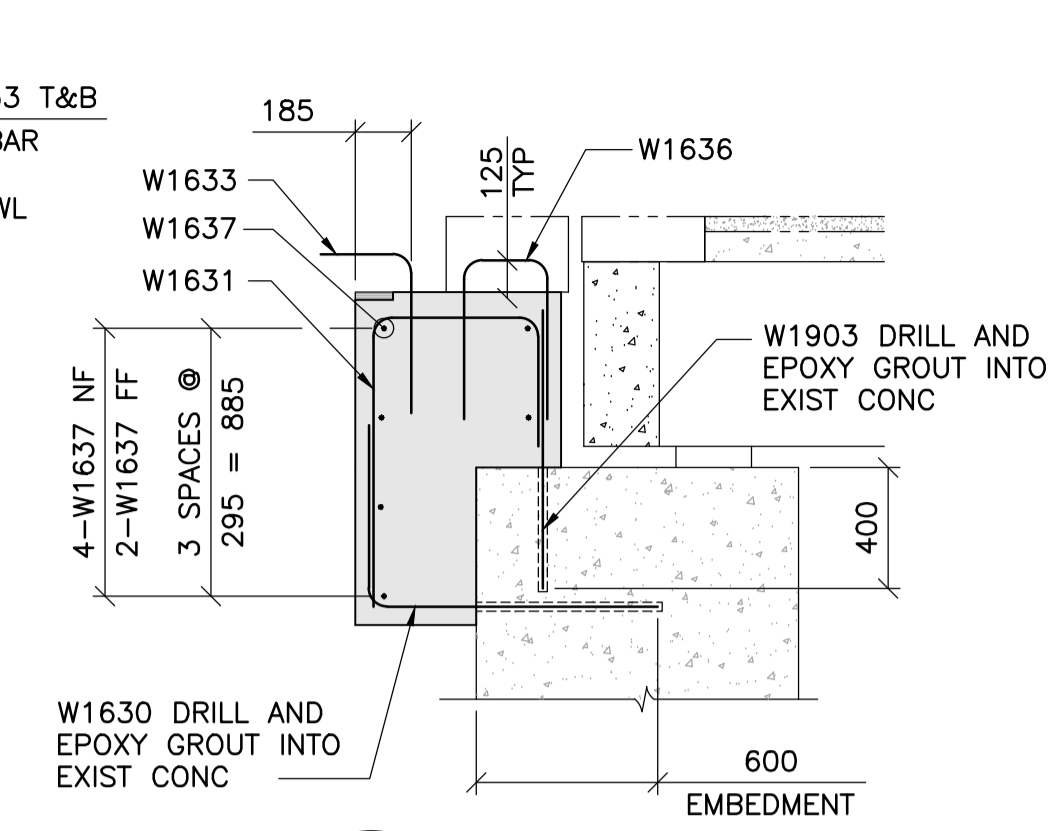
2 ELEVATION - WEST ABUTMENT REINF
 1 : 50



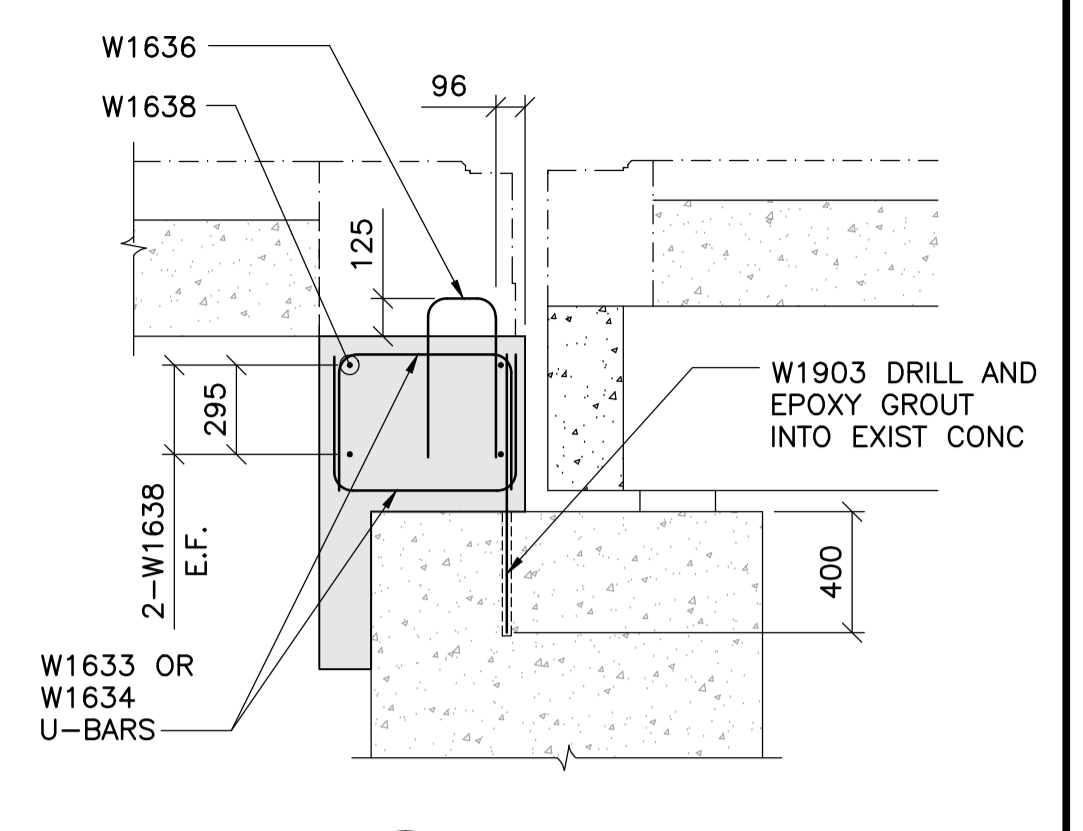
3 PLAN - EAST ABUTMENT REINF
 1 : 50
 - EXIST GIRDERS ARE NOT SHOWN FOR CLARITY



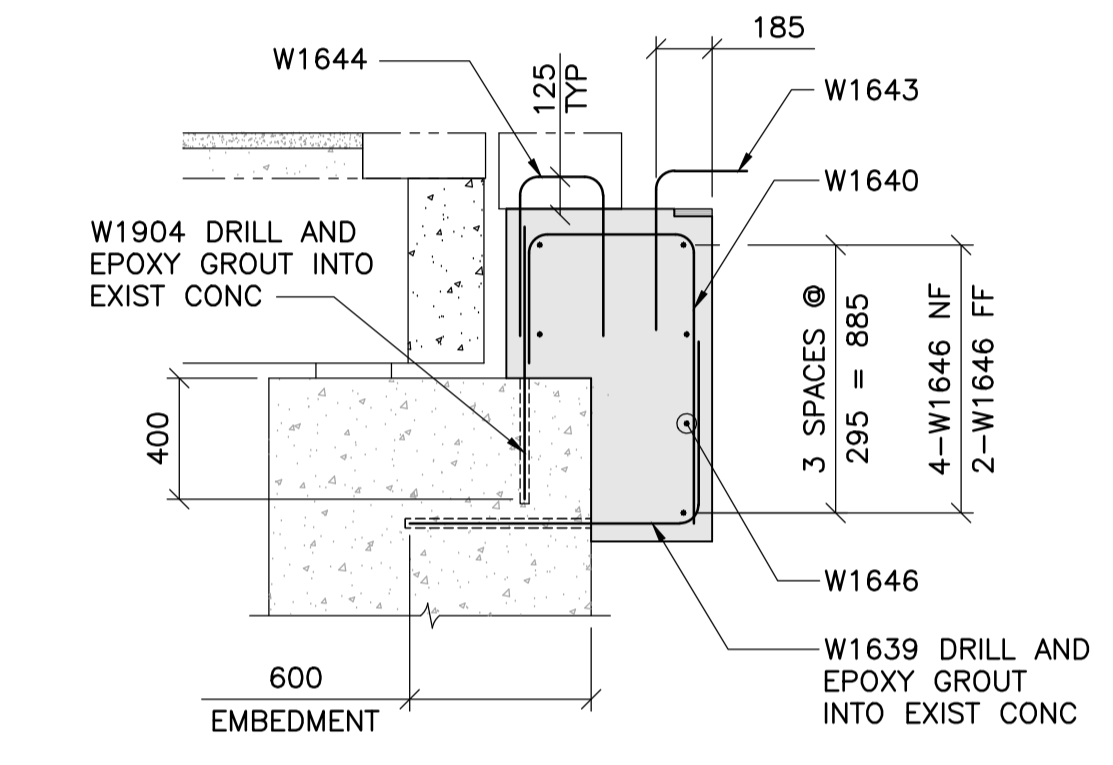
4 ELEVATION - EAST ABUTMENT REINF
 1 : 50



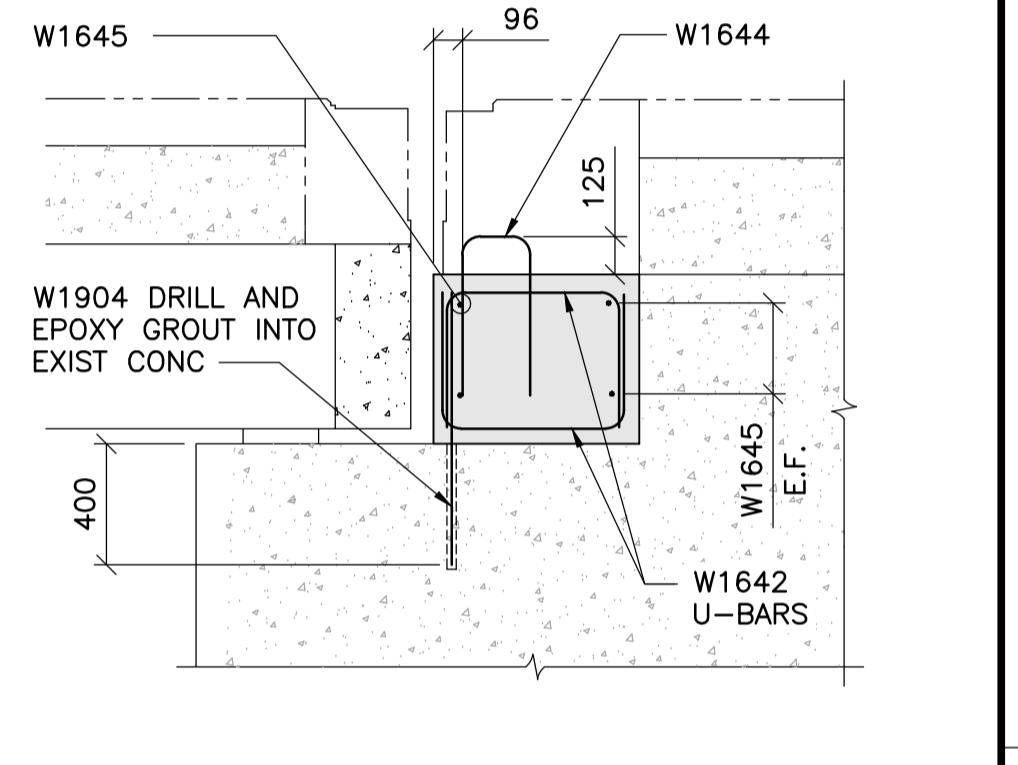
5 SECTION
 1 : 25



6 SECTION
 1 : 25



7 SECTION
 1 : 25



8 SECTION
 1 : 25

- NOTES:**
- CONTRACTOR TO PLACE SIDEWALK ABUTMENT DOWELS IN SIDEWALK TO ENSURE NO CONFLICT WITH CONDUITS.
 - LOCATE REINFORCING SPLICES NOT INDICATED ON THE DRAWINGS AT POINTS OF MINIMUM STRESS. LOCATIONS OF SPLICES TO BE APPROVED BY CONTRACT ADMINISTRATOR.



B.M. ELEV.	F.B.	DATE	BY
0	ISSUED FOR TENDER	13.12.09	V.B.
	NO. REVISIONS	DATE	BY

TETRA TECH

DESIGNED BY: D.M.	CHECKED BY: V.B.
DRAWN BY: B.M.	APPROVED BY: E.F.S.
HOR. SCALE: AS NOTED	RELEASED FOR CONSTRUCTION DATE: 13.12.09
VERTICAL: AS NOTED	ORIGINAL SIGNED: 13.12.09
	DATE: 13.07.18

U. BURNER, P. KENNEDY, BRIDGE PROJECTS ENGINEER

ORIGINAL SIGNED 13.12.09
V. BANTHIA
 Member 23477
 CONSULTANT DRAWING NO. 1300070700-DWG-S0044

THE CITY OF WINNIPEG
 PUBLIC WORKS DEPARTMENT
 ENGINEERING DIVISION

PORTAGE AVENUE TWIN BRIDGES
 OVER STURGEON CREEK
 REHABILITATION AND RELATED WORKS

PHASE 2 CONSTRUCTION
 EAST & WEST ABUTMENT BACKWALLS
 REINFORCING

CITY DRAWING NUMBER: B178-14-044
 SHEET 44 OF 70
44