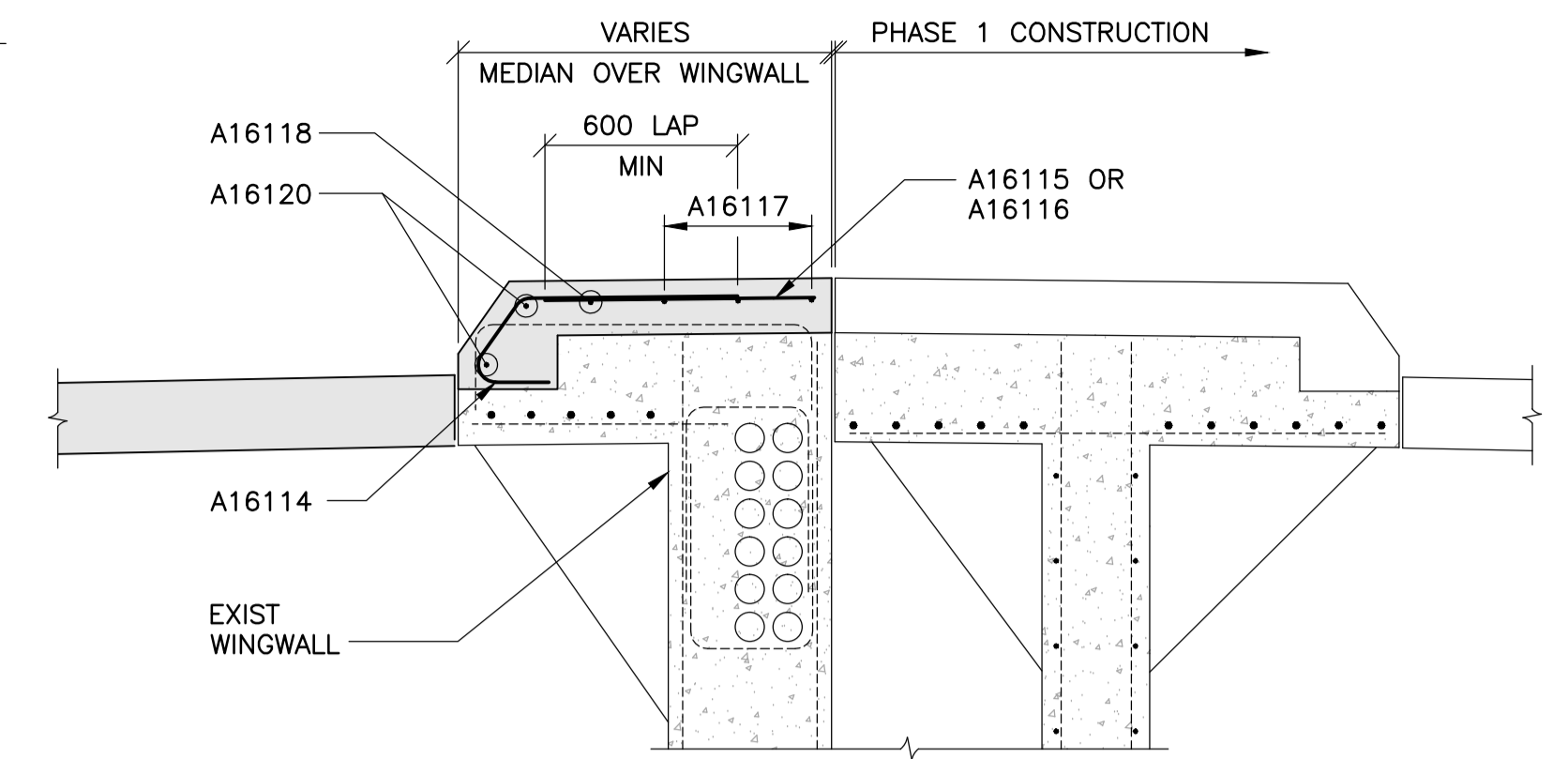
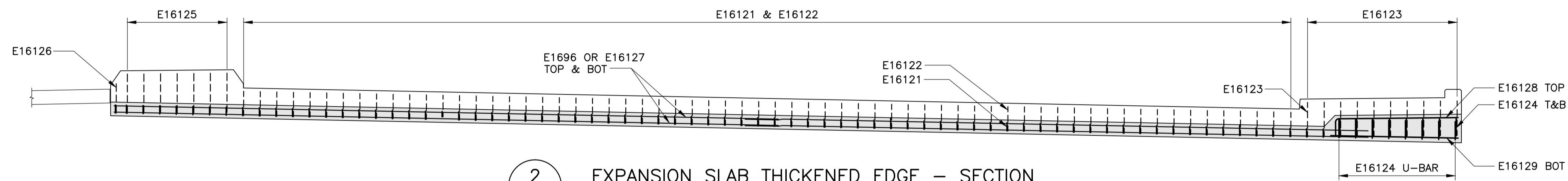


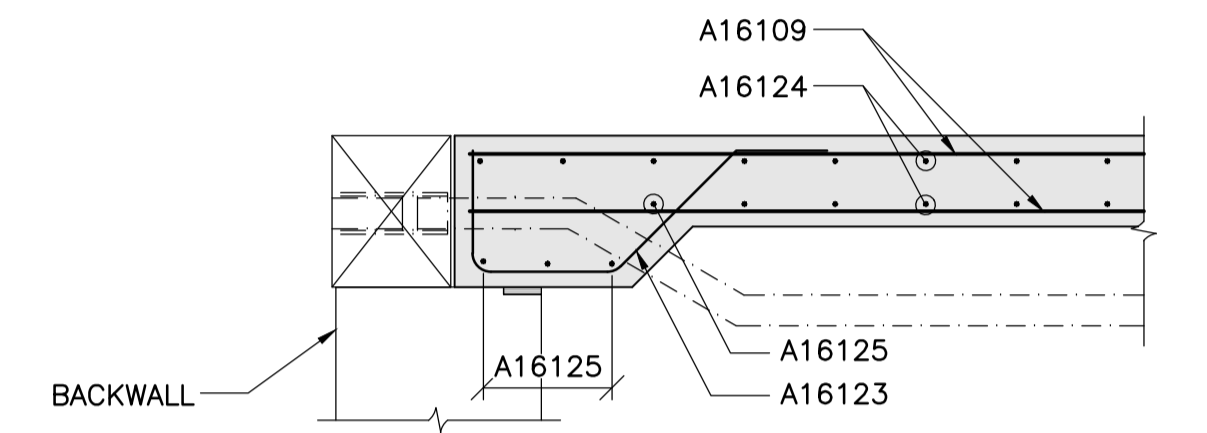
1 EXPANSION SLAB THICKENED EDGE - PLAN  
1 : 50



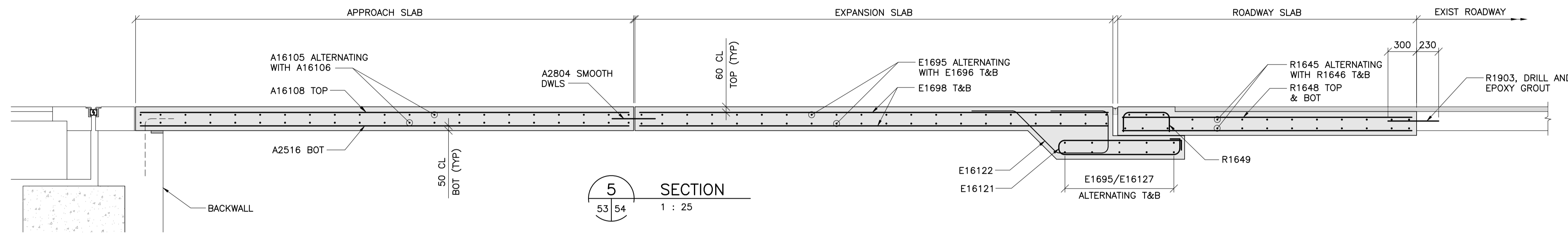
3 MEDIAN BARRIER OVER WINGWALL - SECTION  
1 : 25



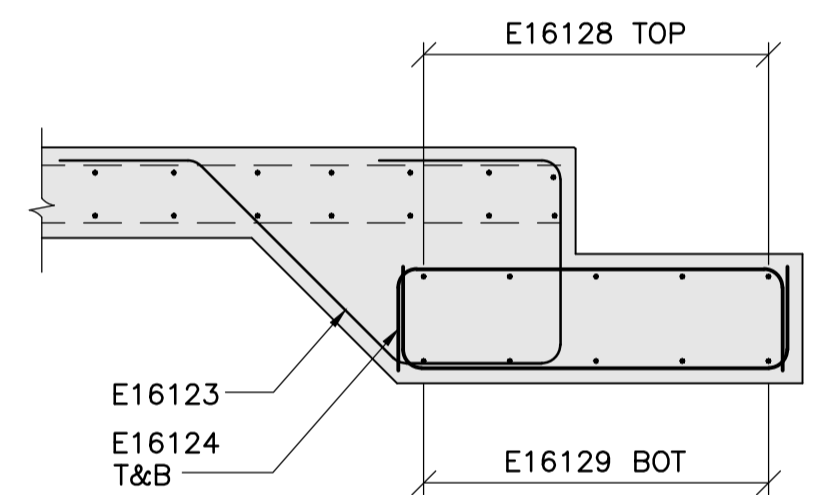
2 EXPANSION SLAB THICKENED EDGE - SECTION  
1 : 50



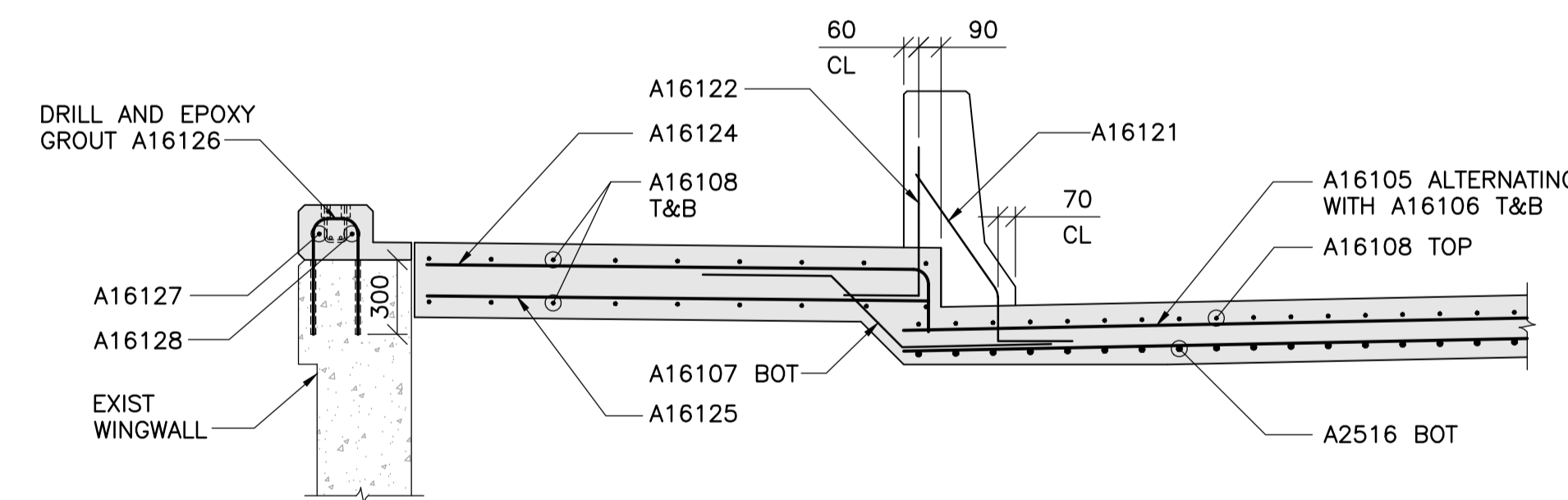
4 APPROACH SLAB SIDEWALK - SECTION  
1 : 25



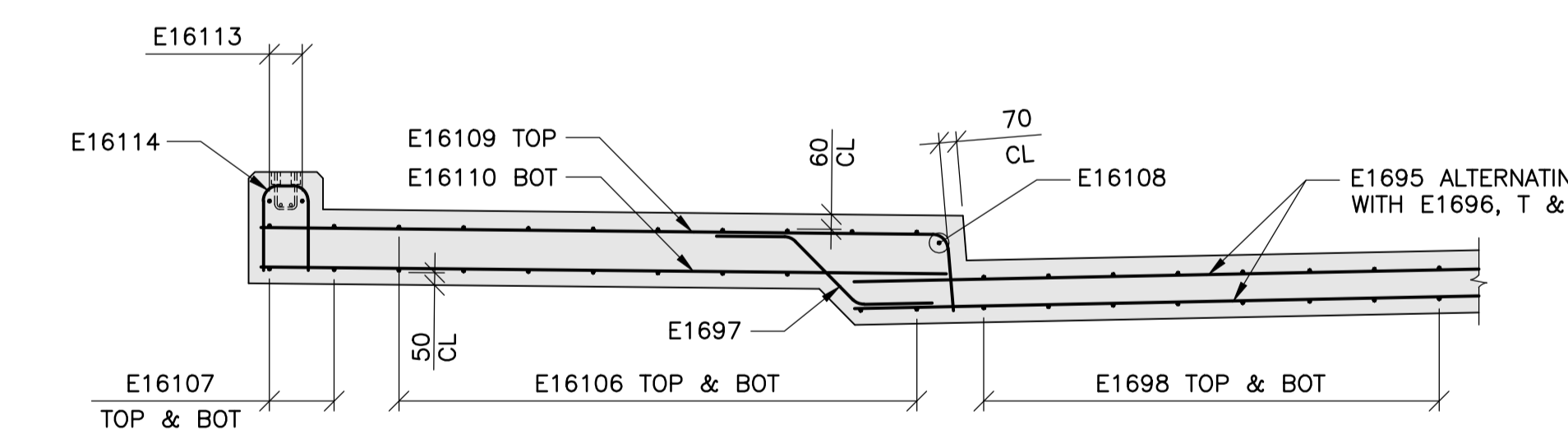
5 SECTION  
1 : 25



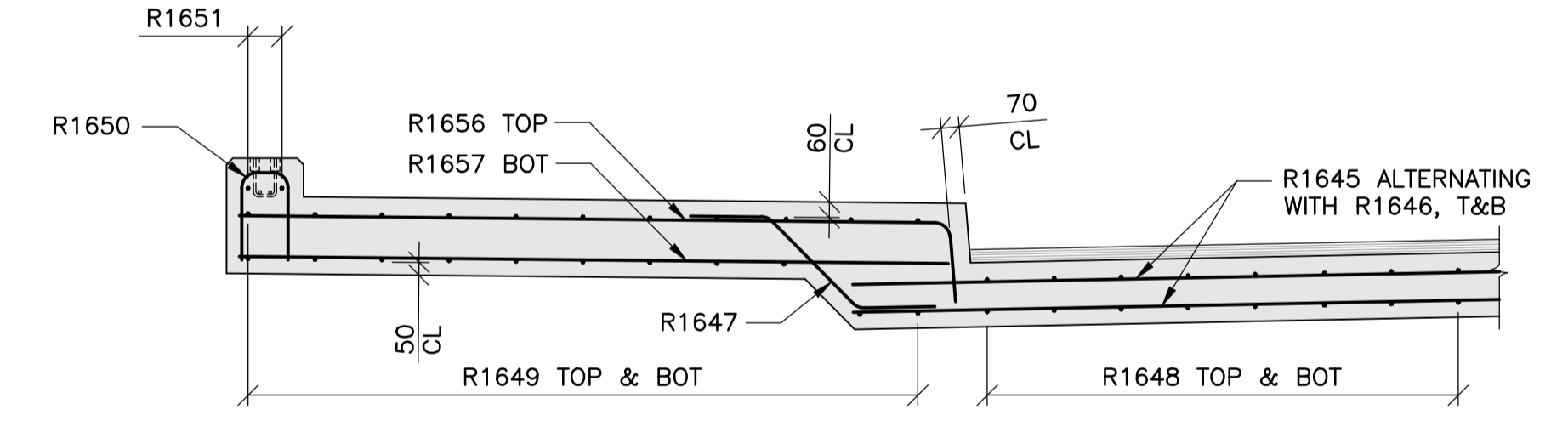
6 SECTION  
1 : 25



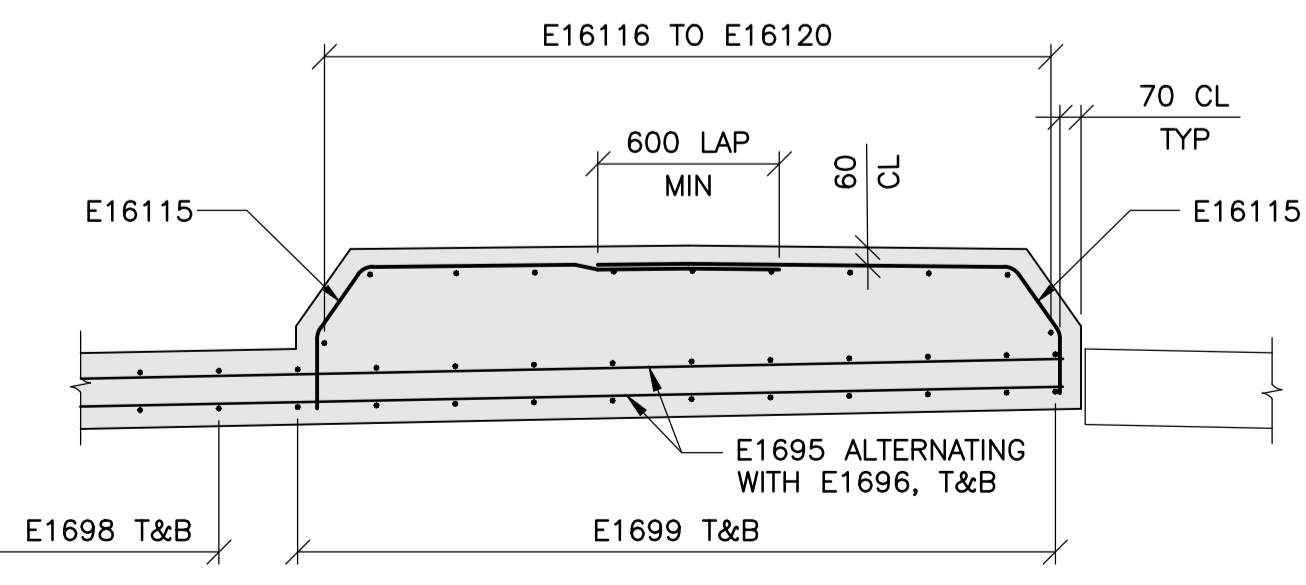
7 APPROACH SLAB SIDEWALK - SECTION  
1 : 25



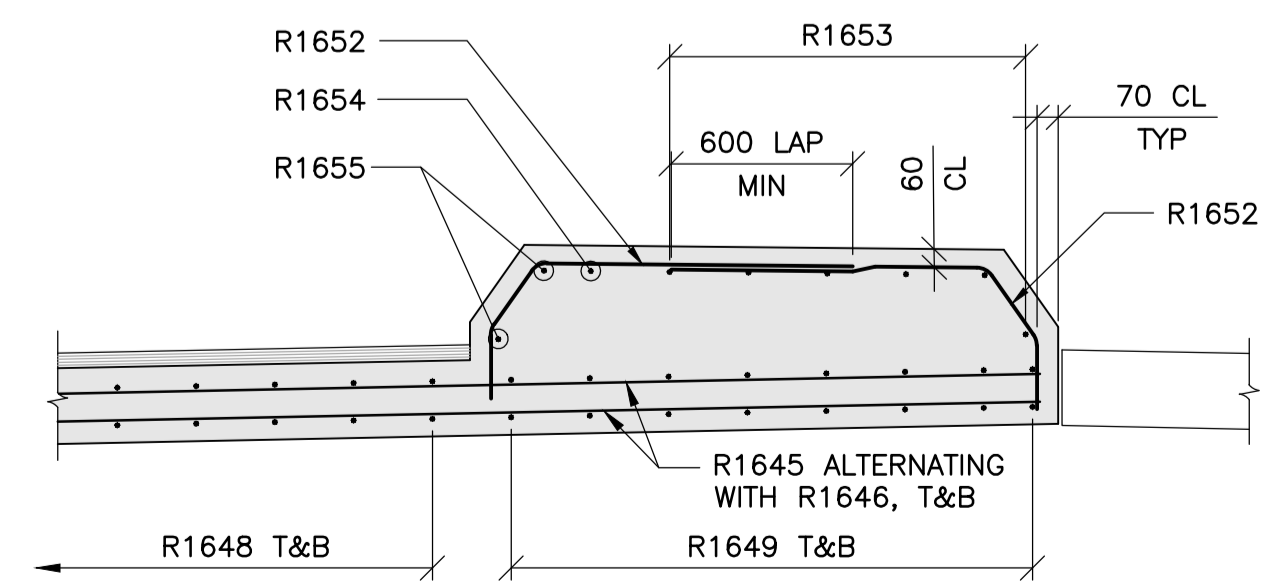
8 EXPANSION SLAB SIDEWALK - SECTION  
1 : 25



9 ROADWAY SLAB SIDEWALK - SECTION  
1 : 25



10 EXPANSION SLAB MEDIAN BARRIER - SECTION  
1 : 25

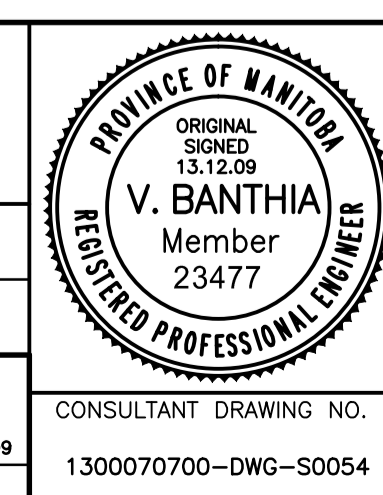


11 ROADWAY SLAB MEDIAN BARRIER - SECTION  
1 : 25



B.M. ELEV.	F.B.		
0 ISSUED FOR TENDER	13.12.09	V.B.	
NO. REVISIONS	DATE	BY	DATE
			13.07.18

<b>TETRA TECH</b>	
DESIGNED BY: D.M.	CHECKED BY: V.B.
DRAWN BY: G.I.	APPROVED BY: E.F.S.
HOR. SCALE: AS NOTED	RELEASED FOR CONSTRUCTION DATE: 13.12.09
VERTICAL: AS NOTED	ORIGINAL SIGNED: 13.12.09
CONSULTANT DRAWING NO. 1300070700-DWG-S0054	



**THE CITY OF WINNIPEG**  
PUBLIC WORKS DEPARTMENT  
ENGINEERING DIVISION

**PORTAGE AVENUE TWIN BRIDGES**  
OVER STURGEON CREEK  
REHABILITATION AND RELATED WORKS

PHASE 2 CONSTRUCTION  
EAST APPROACH  
REINFORCING SECTIONS

CITY DRAWING NUMBER  
**B178-14-054**  
SHEET 54 OF 70

**54**

**NOTE:**  
LOCATE REINFORCING SPLICES NOT INDICATED ON THE DRAWINGS AT POINTS OF MINIMUM STRESS. LOCATIONS OF SPLICES TO BE APPROVED BY CONTRACT ADMINISTRATOR.