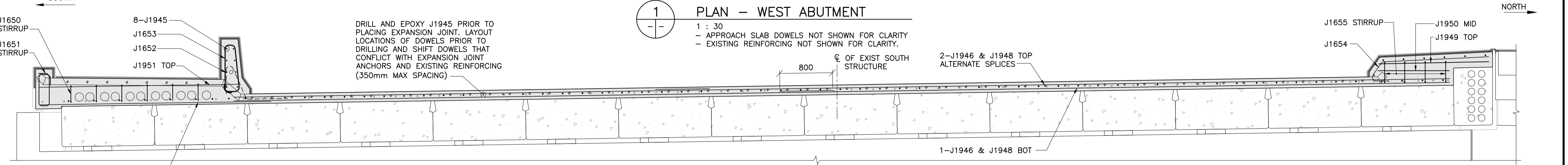
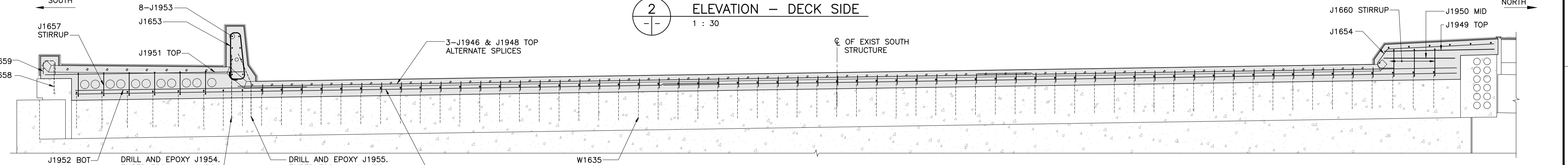


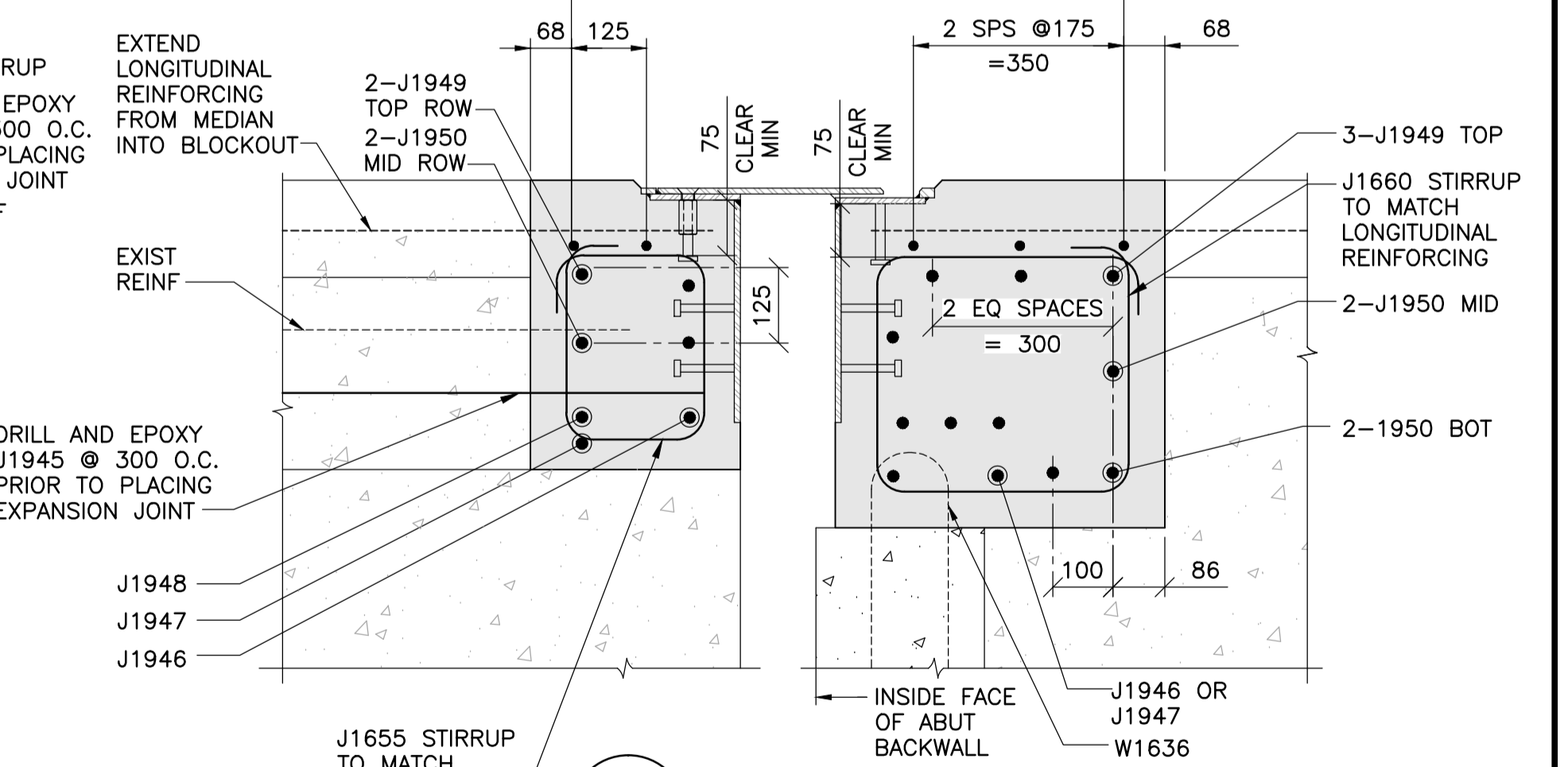
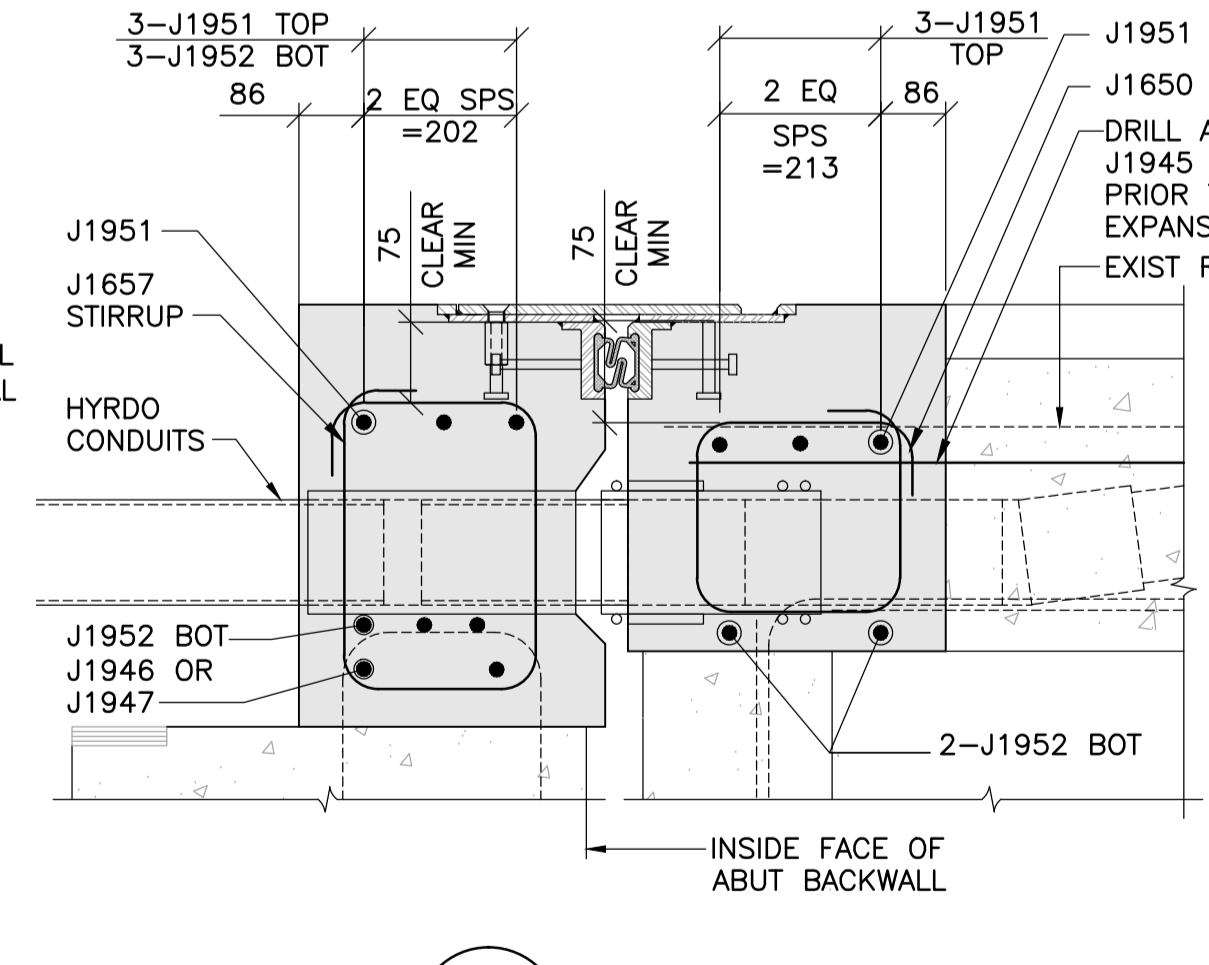
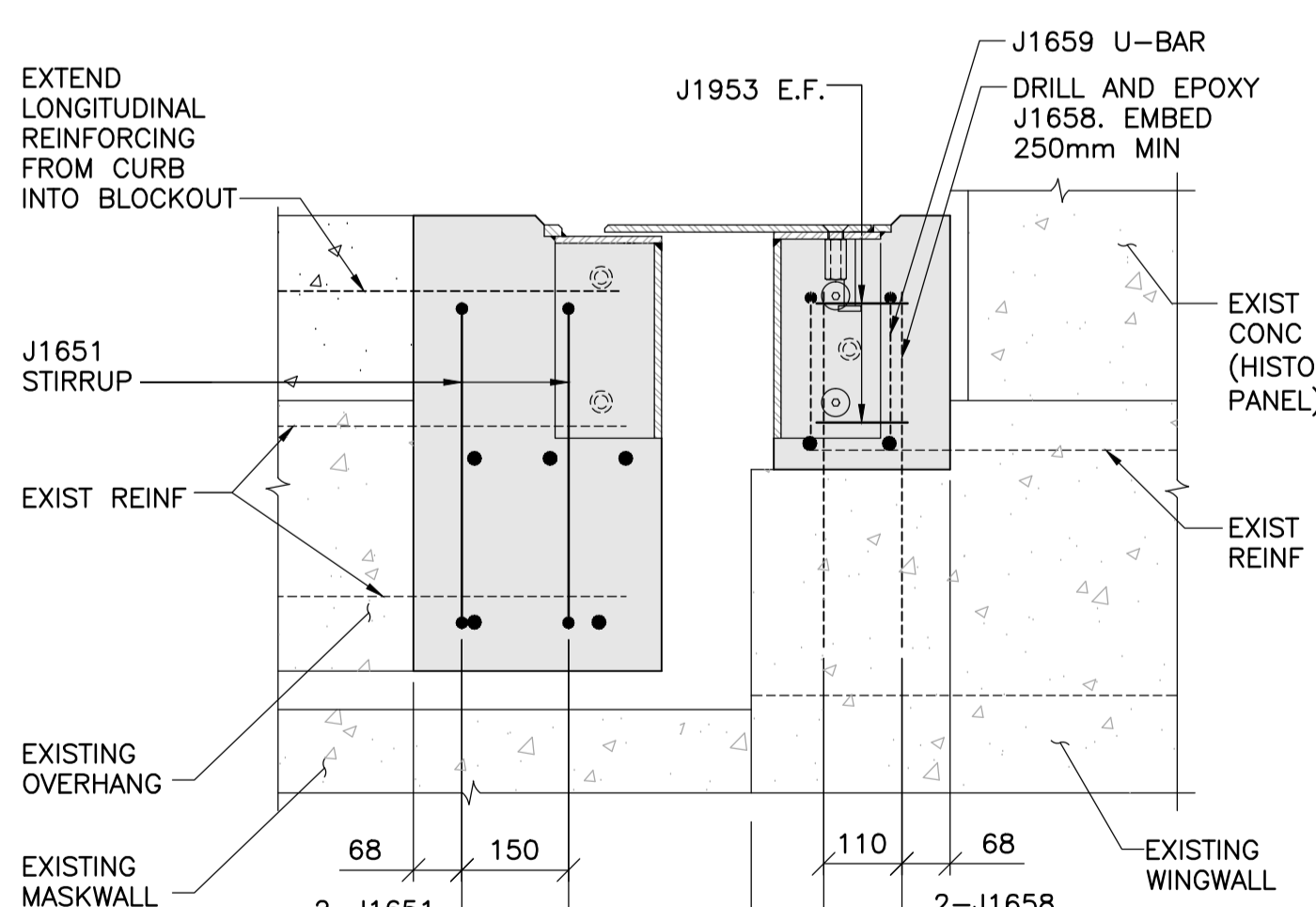
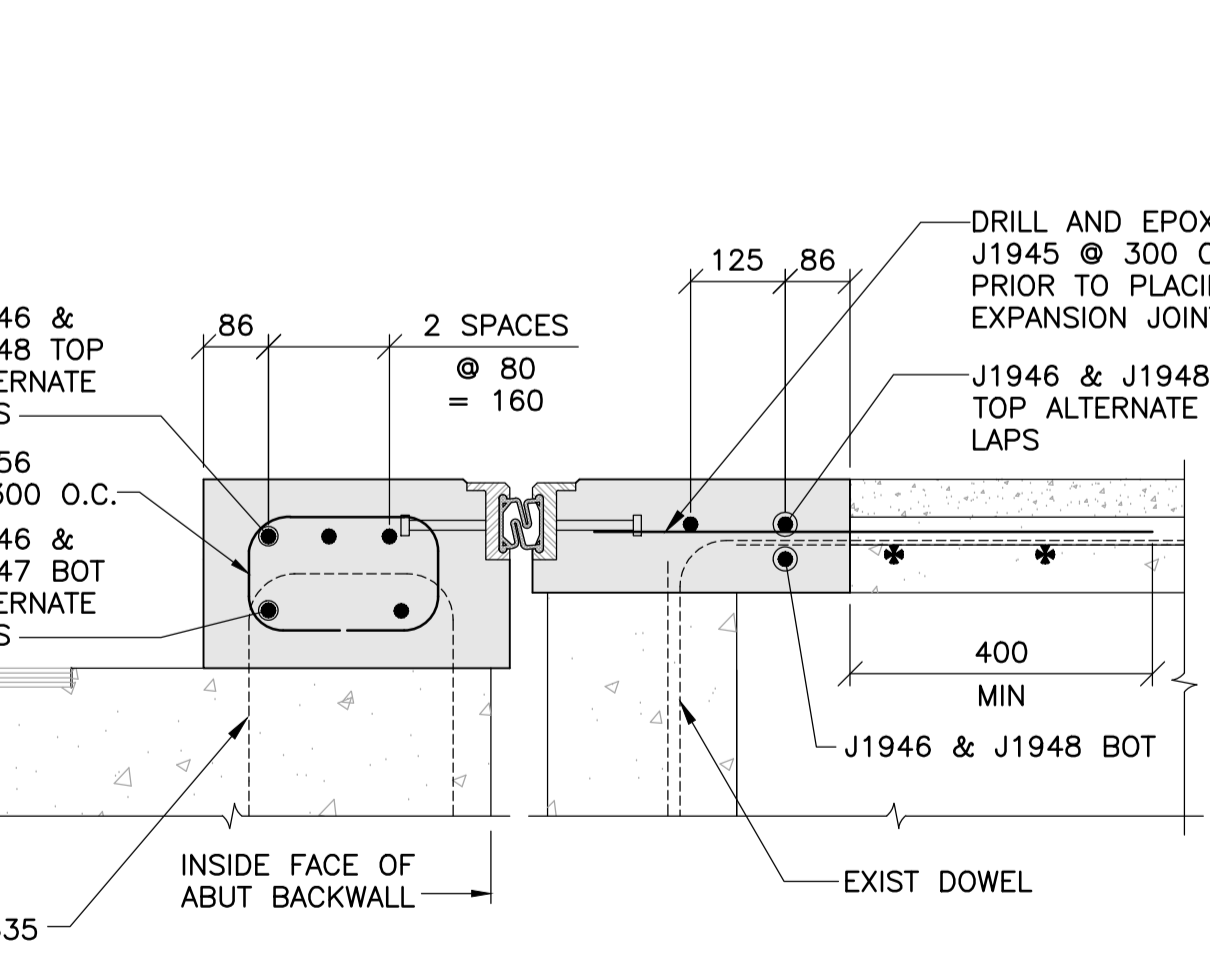
1 PLAN - WEST ABUTMENT



2 ELEVATION - DECK SIDE



3 ELEVATION - ABUTMENT SIDE



- NOTES:**
- CUT EXISTING LONGITUDINAL DECK REINFORCING TO PROVIDE 50mm CLEAR TO END PLATE.
 - PROTECT EXIST MTS CONDUITS. CONDUITS TO BE PLACED TO MATCH EXIST CONDUITS.
 - AVOID ANY CONTACT BETWEEN MMFX REINFORCING STEEL AND GALVANIZED ANCHORS.
 - EXIST REINFORCING SHOWN BASED ON RECORD DRAWINGS.
 - LOCATE REINFORCING SPLICES NOT INDICATED ON THE DRAWINGS AT POINTS OF MINIMUM STRESS. LOCATIONS OF SPLICES TO BE APPROVED BY CONTRACT ADMINISTRATOR.



B.M. ELEV.	F.B.	NO.	REVISIONS	DATE	BY
		0	ISSUED FOR TENDER	13.12.09	V.B.

TETRA TECH	
DESIGNED BY: K.Y.	CHECKED BY: V.B.
DRAWN BY: E.V.	APPROVED BY: E.F.S.
HOR. SCALE: AS NOTED	RELEASED FOR CONSTRUCTION DATE: 13.12.09
VERTICAL: AS NOTED	ORIGINAL SIGNED: 13.12.09
	CONSULTANT DRAWING NO. 1300070700-DWG-S0058



THE CITY OF WINNIPEG
PUBLIC WORKS DEPARTMENT
ENGINEERING DIVISION

PORTAGE AVENUE TWIN BRIDGES
OVER STURGEON CREEK
REHABILITATION AND RELATED WORKS

PHASE 2 CONSTRUCTION
WEST ABUTMENT EXPANSION JOINT
REINFORCING DETAILS

CITY DRAWING NUMBER
B178-14-058
SHEET 58 OF 70

989-2013-DRAWING_B178-14-058_SHT058-RO.DWG

58