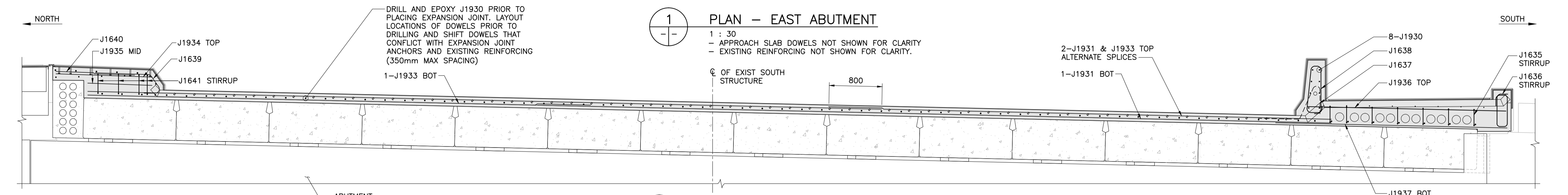


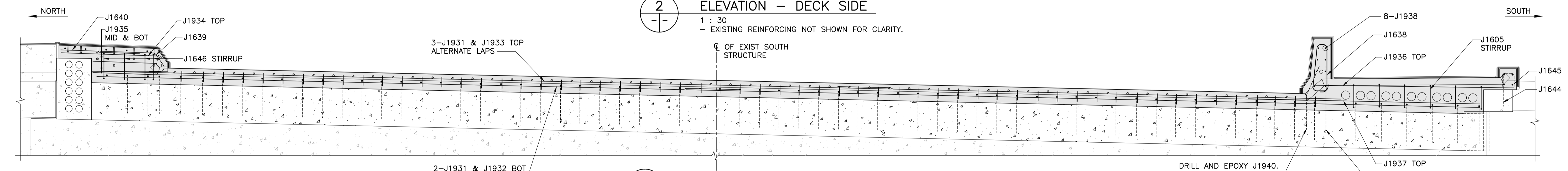
1 PLAN - EAST ABUTMENT
1 : 30

- APPROACH SLAB DOWELS NOT SHOWN FOR CLARITY.
- EXISTING REINFORCING NOT SHOWN FOR CLARITY.



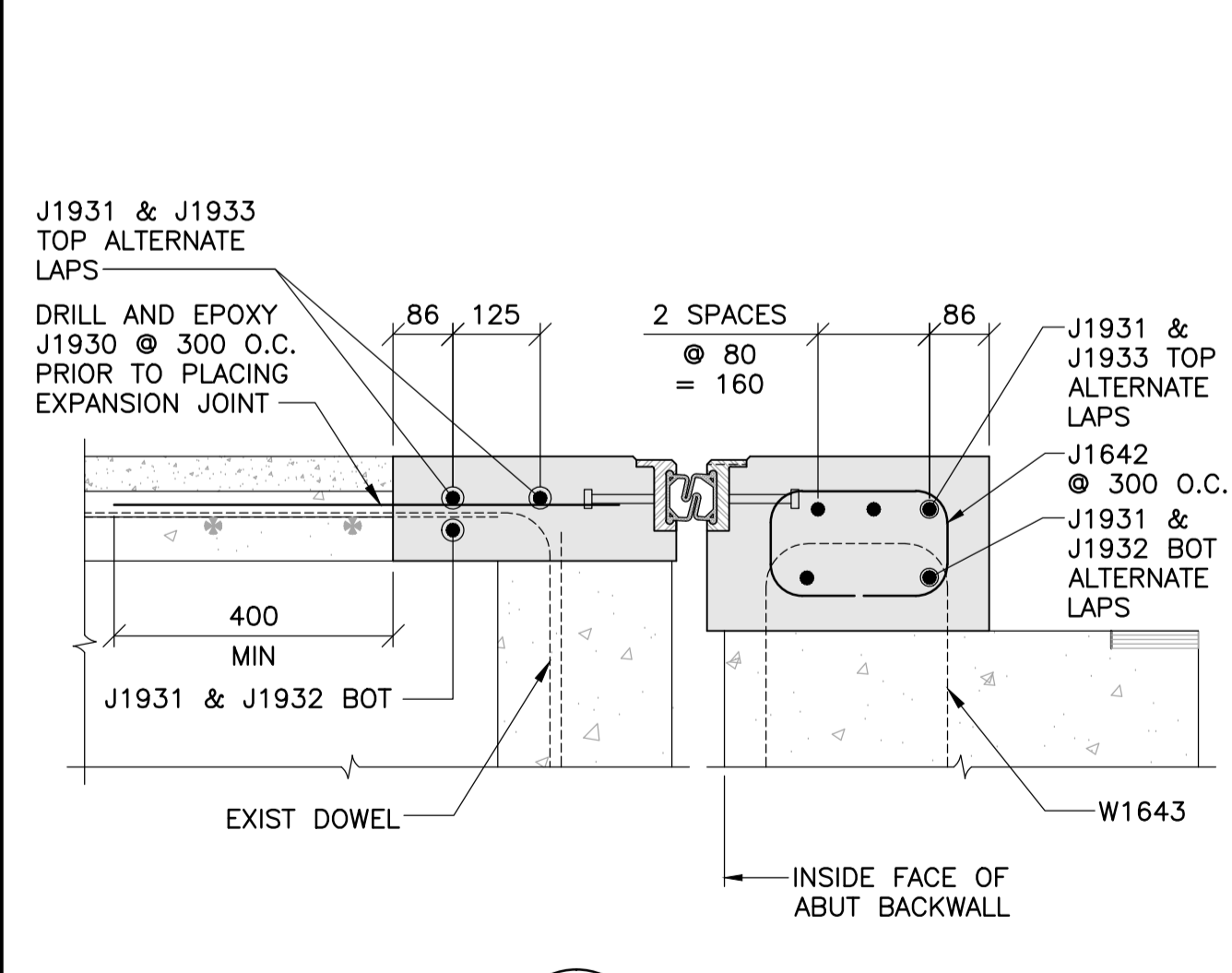
2 ELEVATION - DECK SIDE
1 : 30

- EXISTING REINFORCING NOT SHOWN FOR CLARITY.

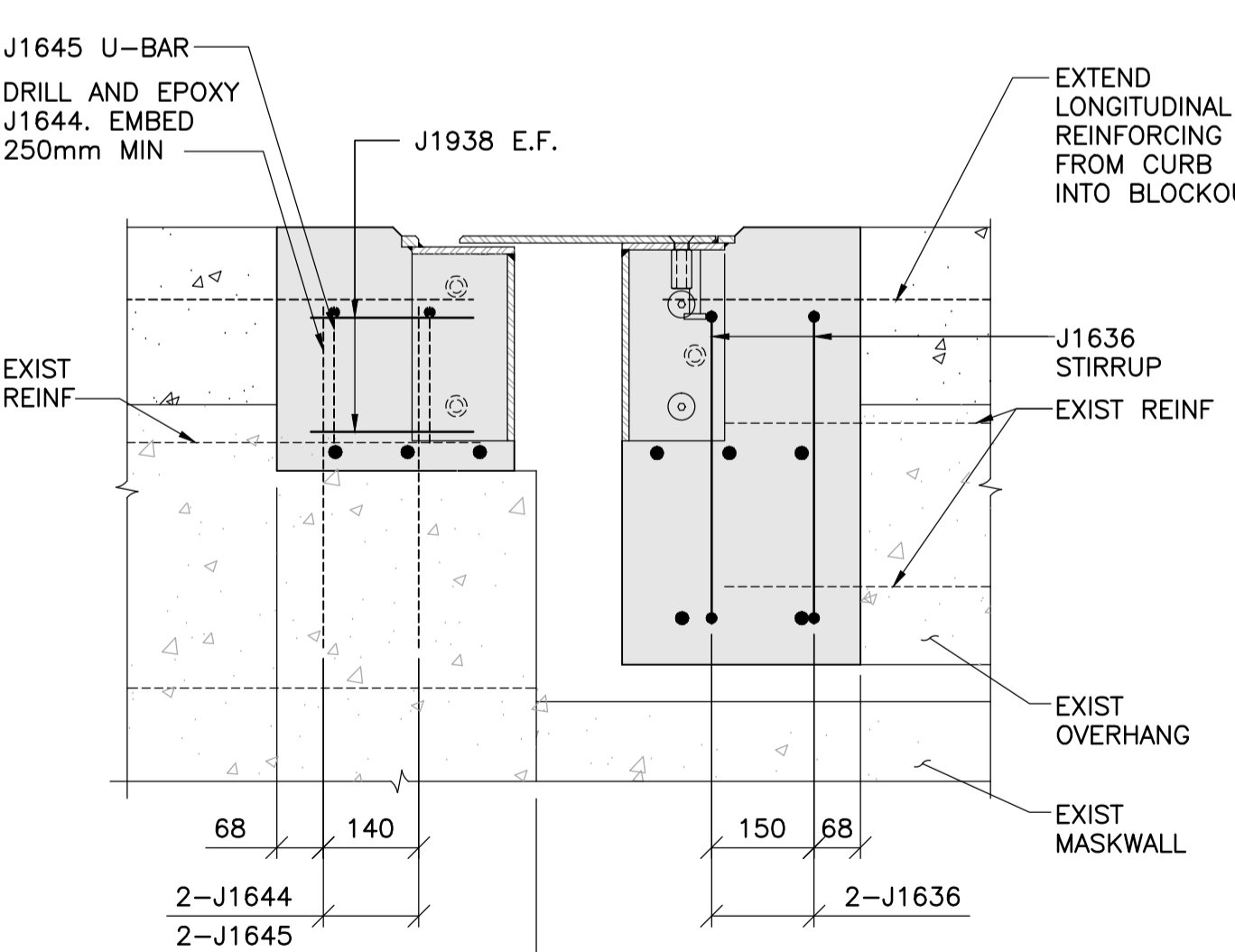


3 ELEVATION - ABUTMENT SIDE
1 : 30

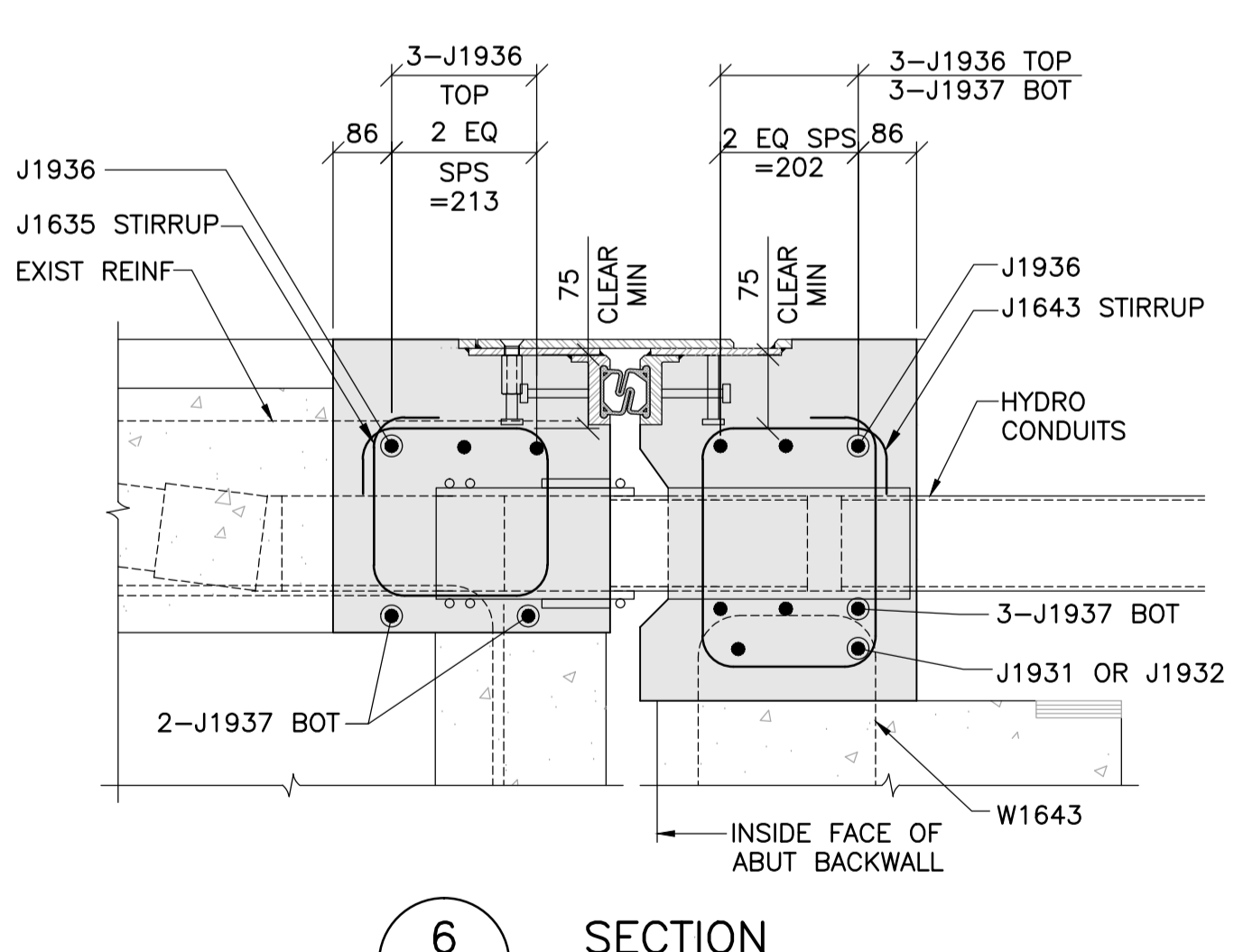
- DRILL AND EPOXY J1940. EMBED 300mm MIN. DO NOT DAMAGE OTHER REINFORCING.
- DRILL AND EPOXY J1939. EMBED 300mm MIN. DO NOT DAMAGE OTHER REINFORCING.



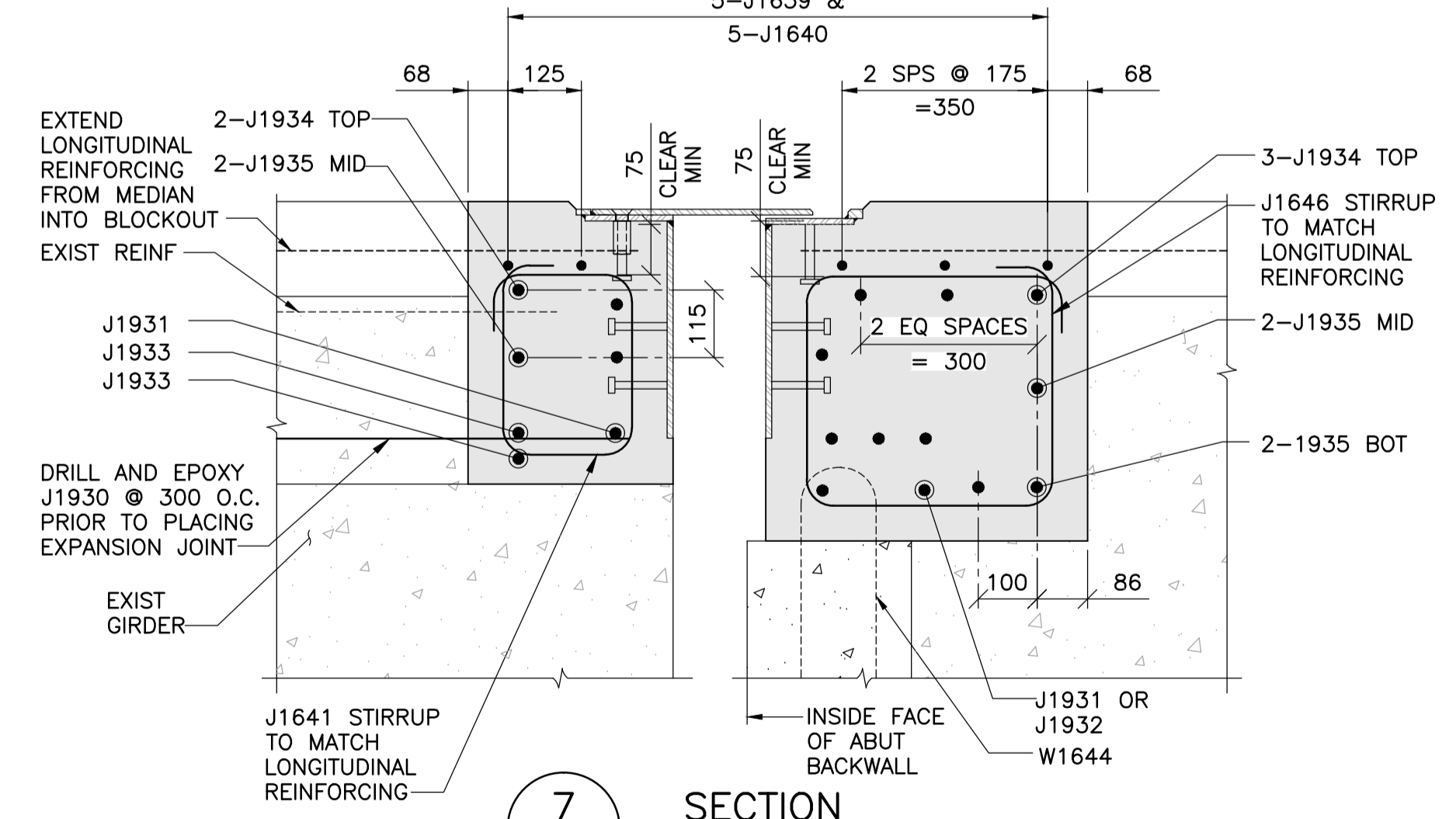
4 SECTION
1 : 10



5 SECTION
1 : 10



6 SECTION
1 : 10



7 SECTION
1 : 10

- NOTES:**
- CUT EXISTING LONGITUDINAL DECK REINFORCING TO PROVIDE 50mm CLEAR TO END PLATE.
 - PROTECT EXIST MTS CONDUITS. CONDUITS TO BE PLACED TO MATCH EXIST CONDUITS.
 - AVOID ANY CONTACT BETWEEN MMFX REINFORCING STEEL AND GALVANIZED ANCHORS.
 - EXIST REINFORCING SHOWN BASED ON RECORD DRAWINGS.
 - LOCATE REINFORCING SPLICES NOT INDICATED ON THE DRAWINGS AT POINTS OF MINIMUM STRESS. LOCATIONS OF SPLICES TO BE APPROVED BY CONTRACT ADMINISTRATOR.



B.M. ELEV.	F.B.	DATE	BY
		13.12.09	V.B.
		13.07.18	V.B.

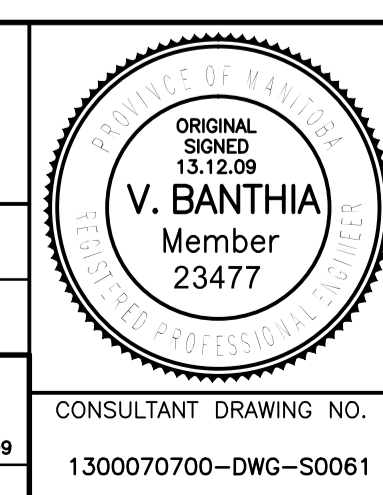
TETRA TECH

DESIGNED BY: K.Y. CHECKED BY: V.B.
 DRAWN BY: E.V. APPROVED BY: E.F.S.

HOR. SCALE: AS NOTED
 VERTICAL: AS NOTED

RELEASSED FOR CONSTRUCTION DATE: 13.12.09
 ORIGINAL SIGNED: 13.12.09

CONSULTANT DRAWING NO. 1300070700-DWG-50061



THE CITY OF WINNIPEG
 PUBLIC WORKS DEPARTMENT
 ENGINEERING DIVISION

PORTAGE AVENUE TWIN BRIDGES
 OVER STURGEON CREEK
 REHABILITATION AND RELATED WORKS

PHASE 2 CONSTRUCTION
 EAST ABUTMENT EXPANSION JOINT
 REINFORCING DETAILS

CITY DRAWING NUMBER: B178-14-061
 SHEET OF: 61 70

989-2013-DRAWING_B178-14-061_SHT061-RO.DWG