



Location of underground structures as shown are based on the best information available but no guarantee is given that all existing utilities are shown or that the given locations are exact. Confirmation of existence and exact location of all services must be obtained from the individual utilities before proceeding with construction.

DO NOT SCALE DRAWING - PLOT MAY NOT BE AT 100%

4			
3			
2			
1	RELEASED FOR TENDER	02/26/14	DW
NO.	REVISION / NOTE	DATE	BY

PROJECT

**ELWICK PARK SITE IMPROVEMENTS PHASE TWO**

BCI II - PHASE TWO

OLD KILDONAN WARD

30 MABERLEY RD



SCALE AS SHOWN

DATE FEBRUARY 26, 2014

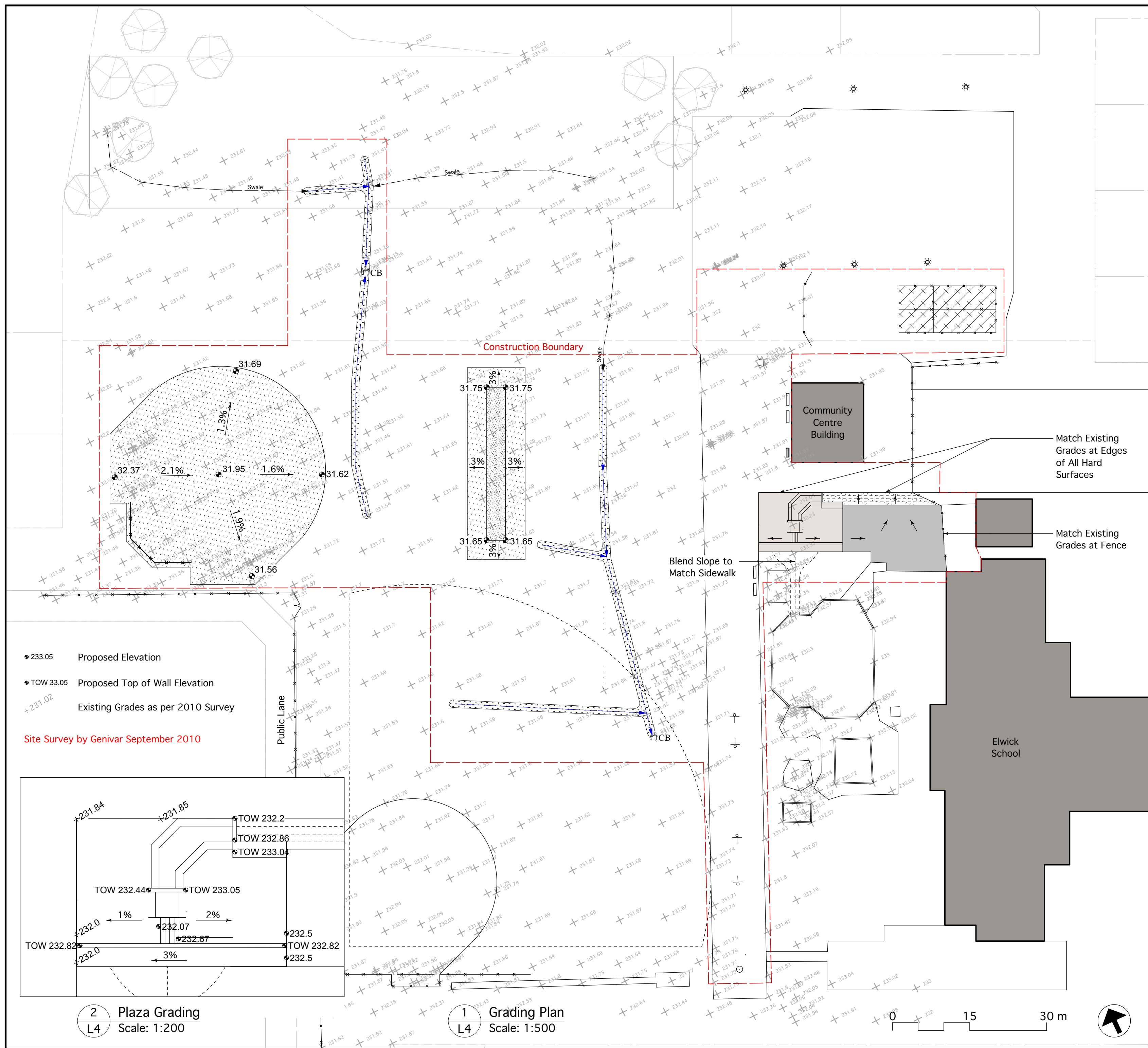
DRAWN BY EC PROJECT NO. 1317

CHECKED BY DW DRAWING TITLE

**GRADING PLAN**

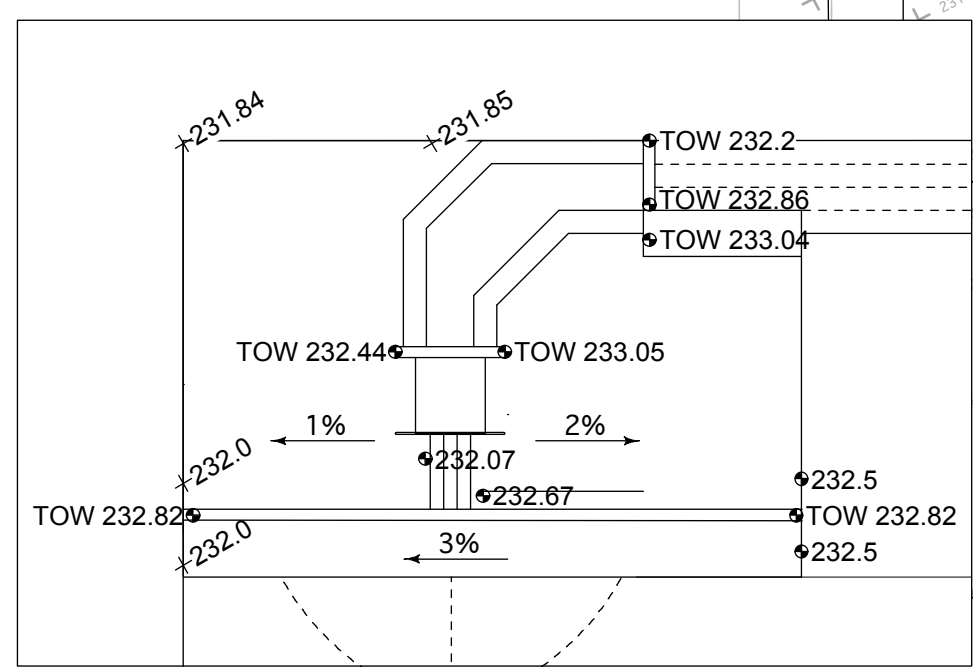
SHEET NO.

L4



- 233.05 Proposed Elevation
- TOW 33.05 Proposed Top of Wall Elevation
- +231.02 Existing Grades as per 2010 Survey

Site Survey by Genivar September 2010



2 Plaza Grading  
L4 Scale: 1:200

1 Grading Plan  
L4 Scale: 1:500