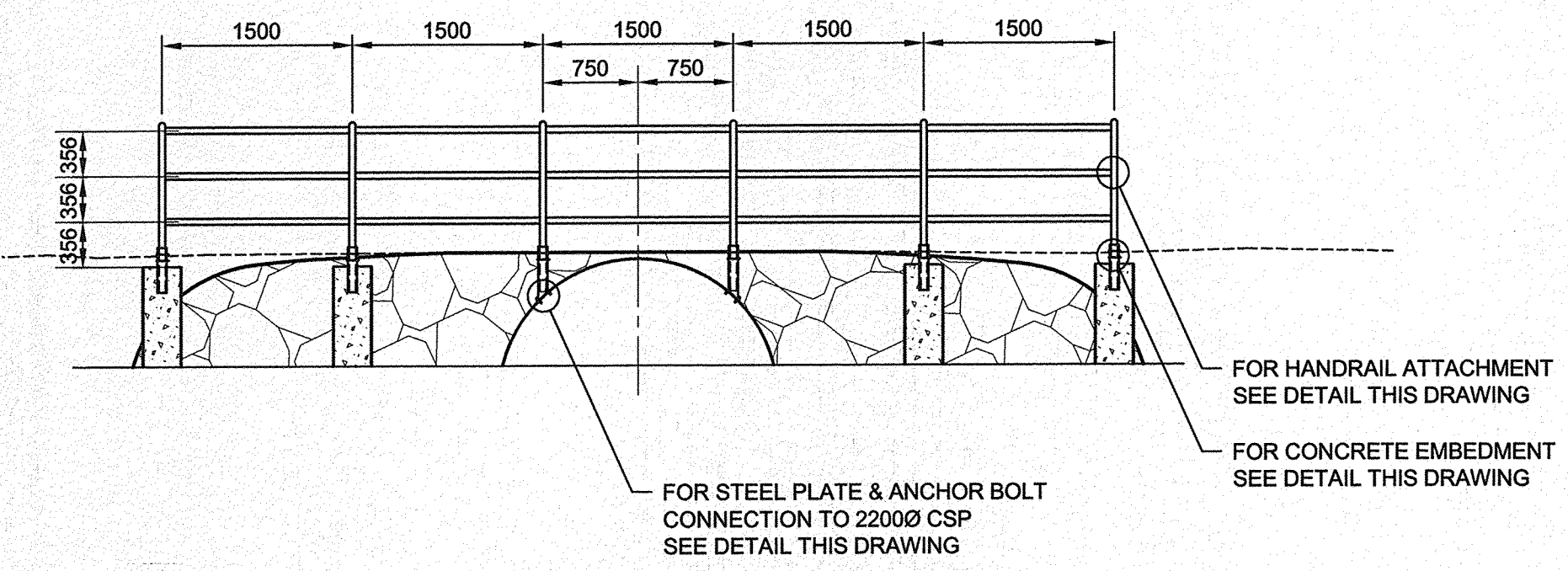
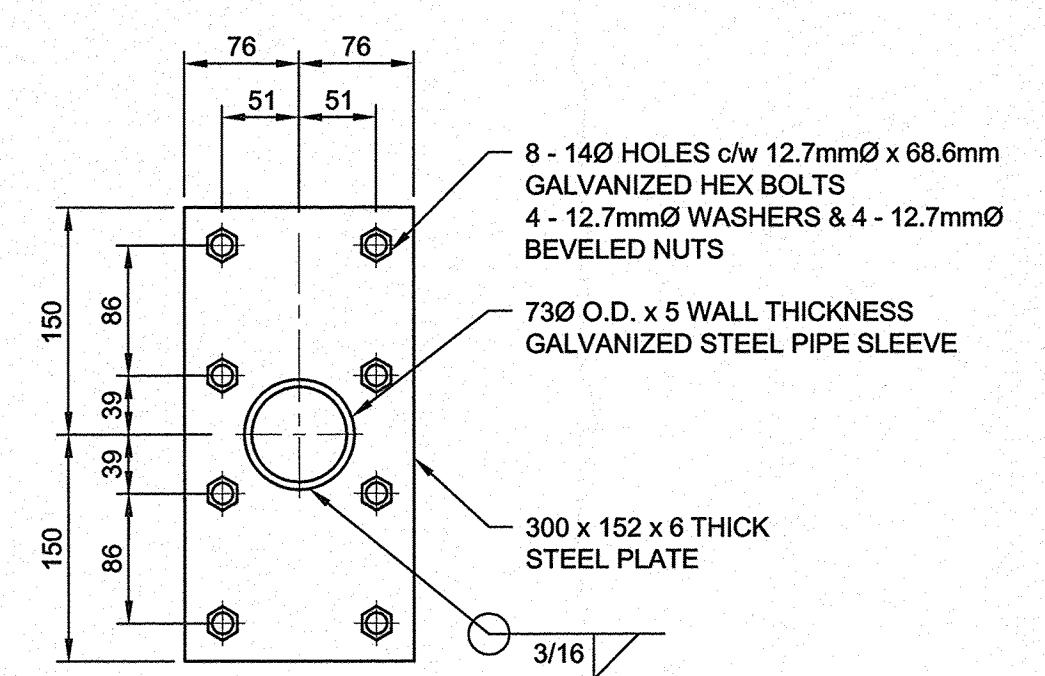
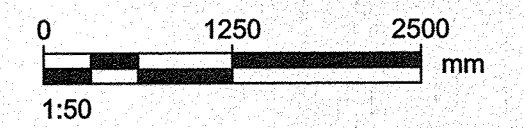


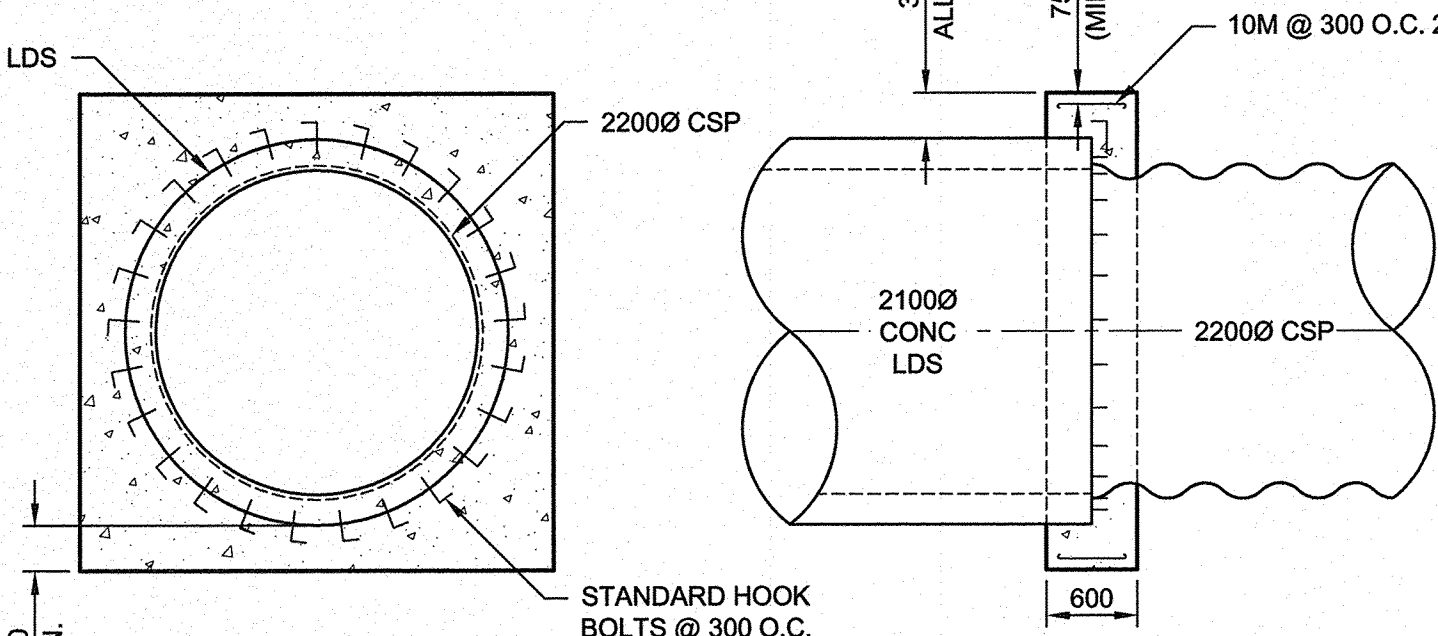
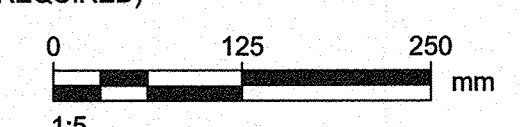
D SIZE 22" x 34" (559mm x 864mm)
 PLOT: 11/13/2014 8:24:08 AM
 AECOM REVIEW DRAFT CHK
 AECOM FILE NAME: P:\02719315\00-CADD\040-cadd-bim-wp\Sheets\0402-SHEET\00-SHT-00-Con4-C-5001.dwg Saved By: denoulienn



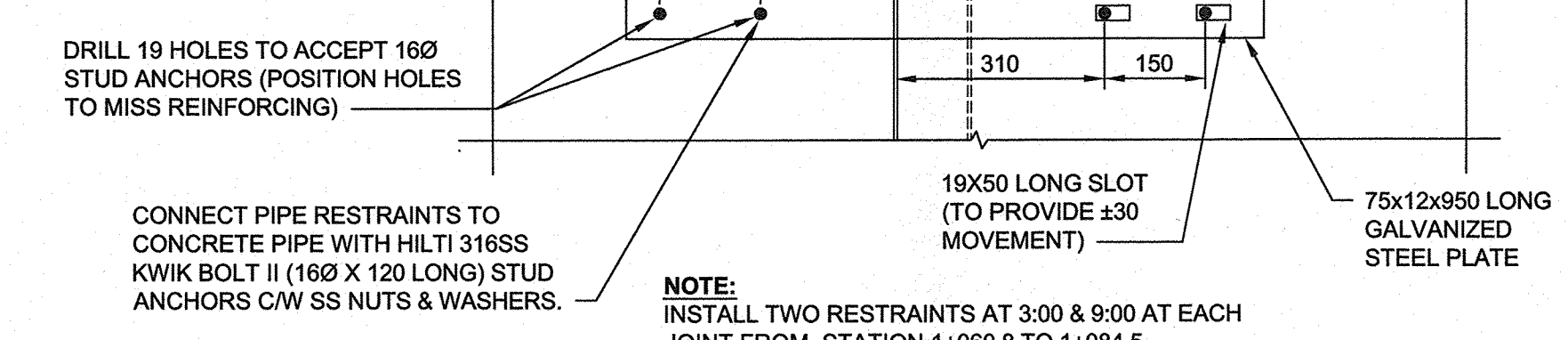
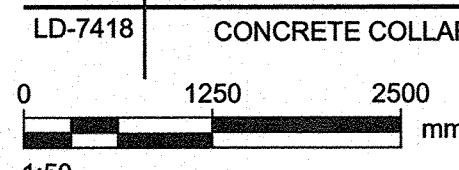
HANDRAIL DETAIL



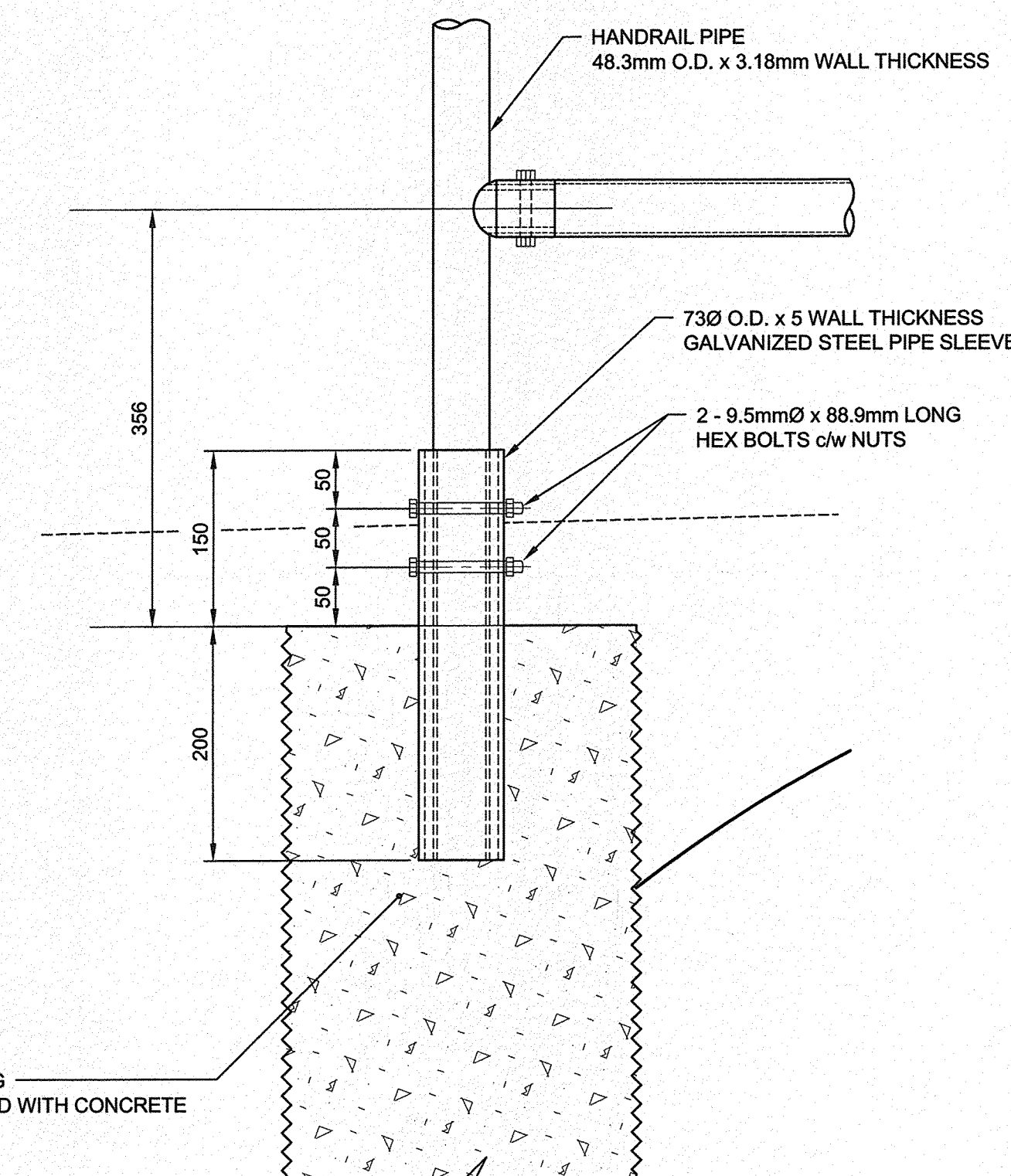
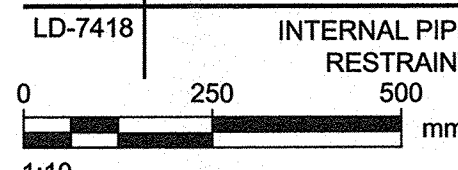
STEEL ANCHOR PLATE
FOR NEW HANDRAIL (2 REQUIRED)



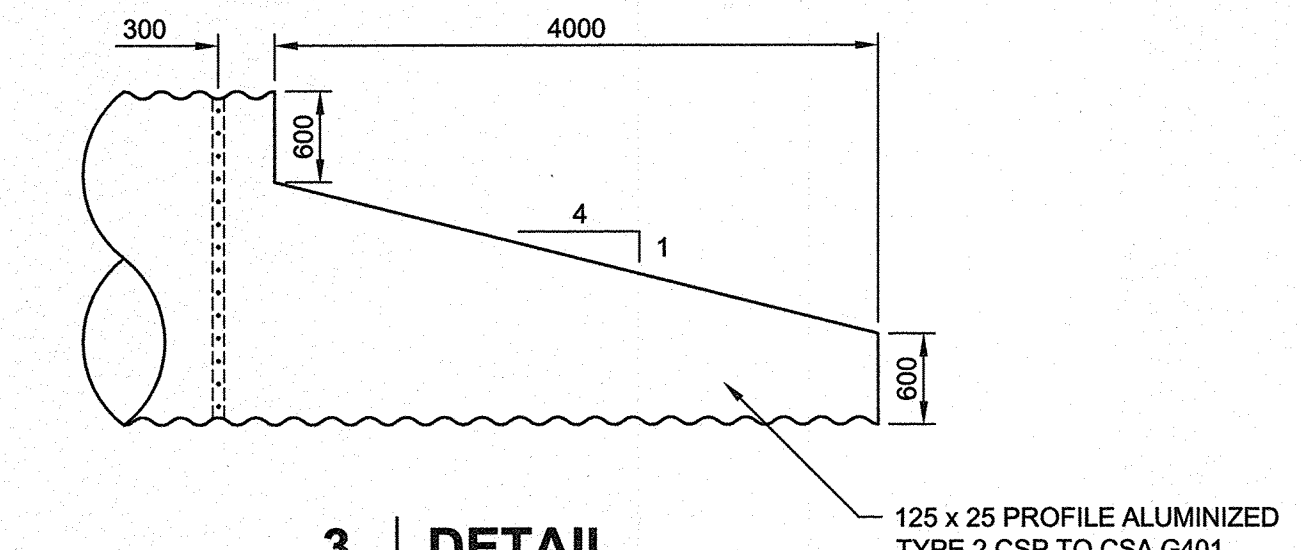
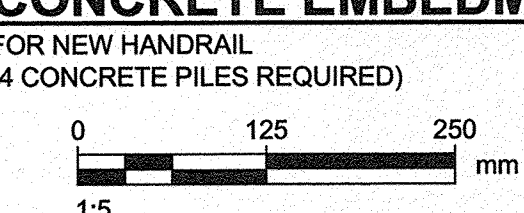
1 DETAIL
LD-7418 CONCRETE COLLAR



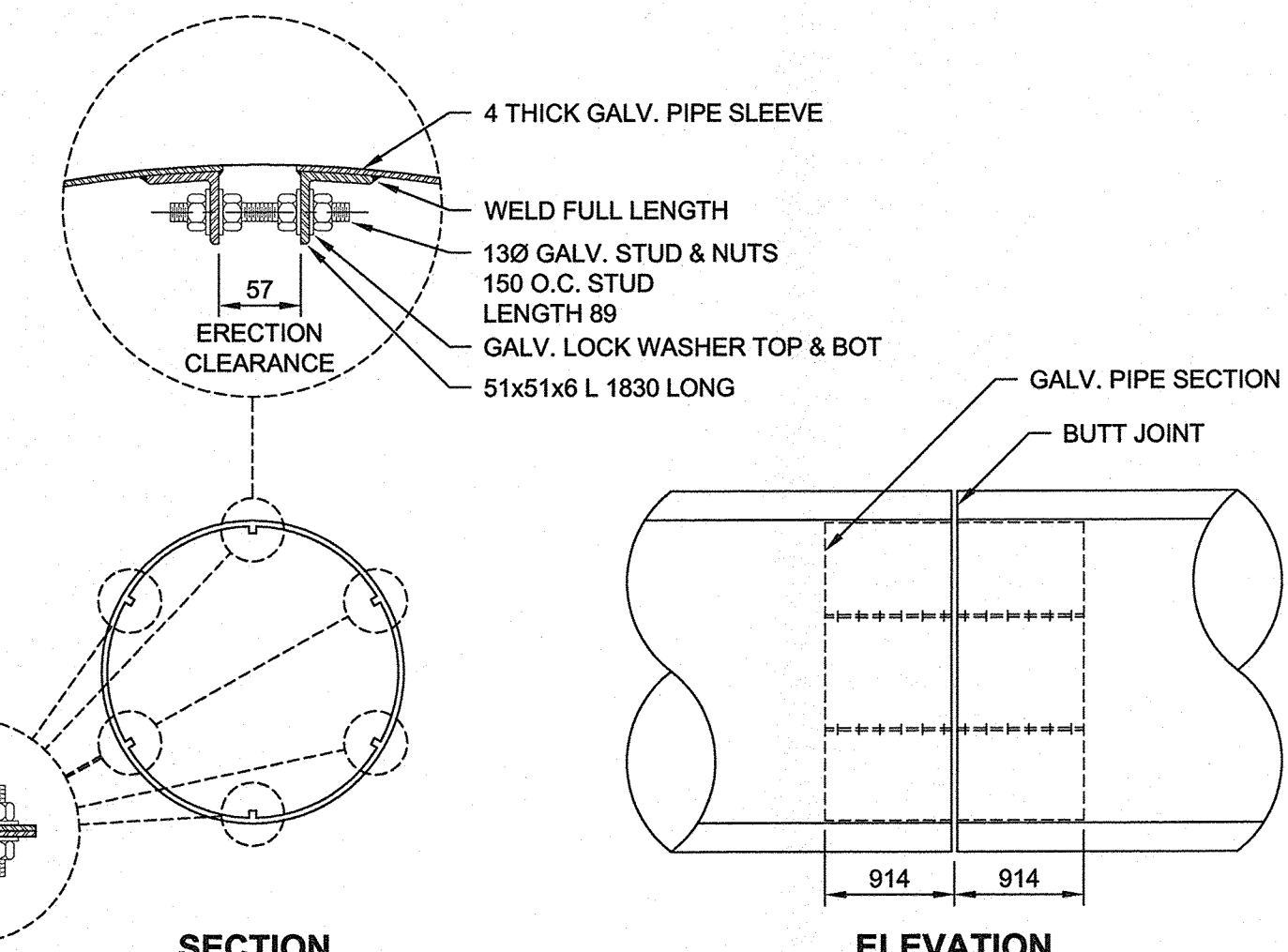
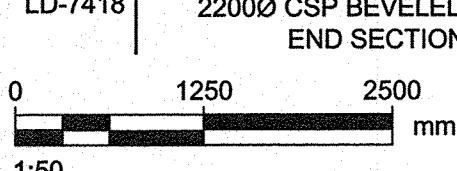
2 DETAIL
LD-7418 INTERNAL PIPE RESTRAINT



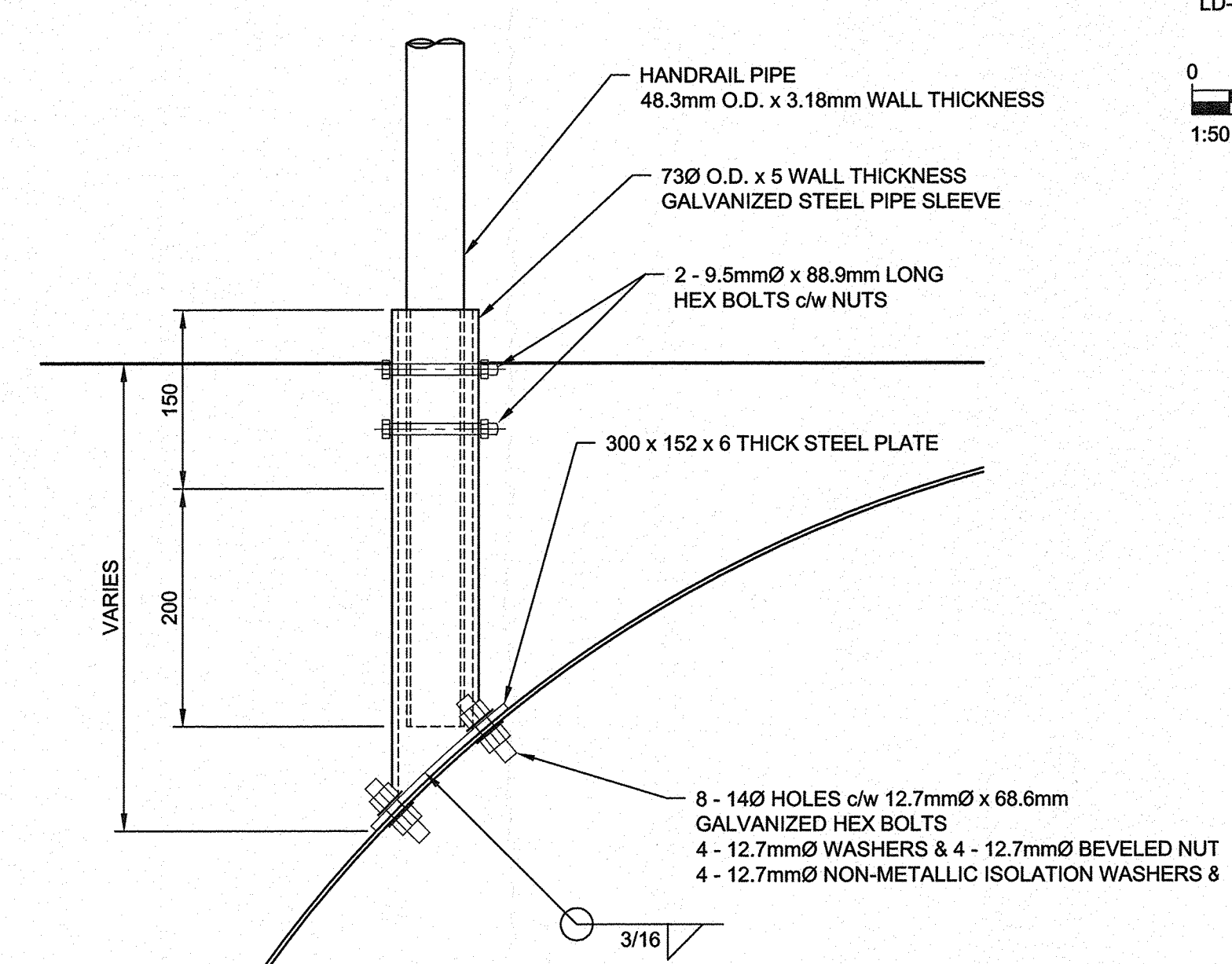
CONCRETE EMBEDMENT DETAIL
FOR NEW HANDRAIL (4 CONCRETE PILES REQUIRED)



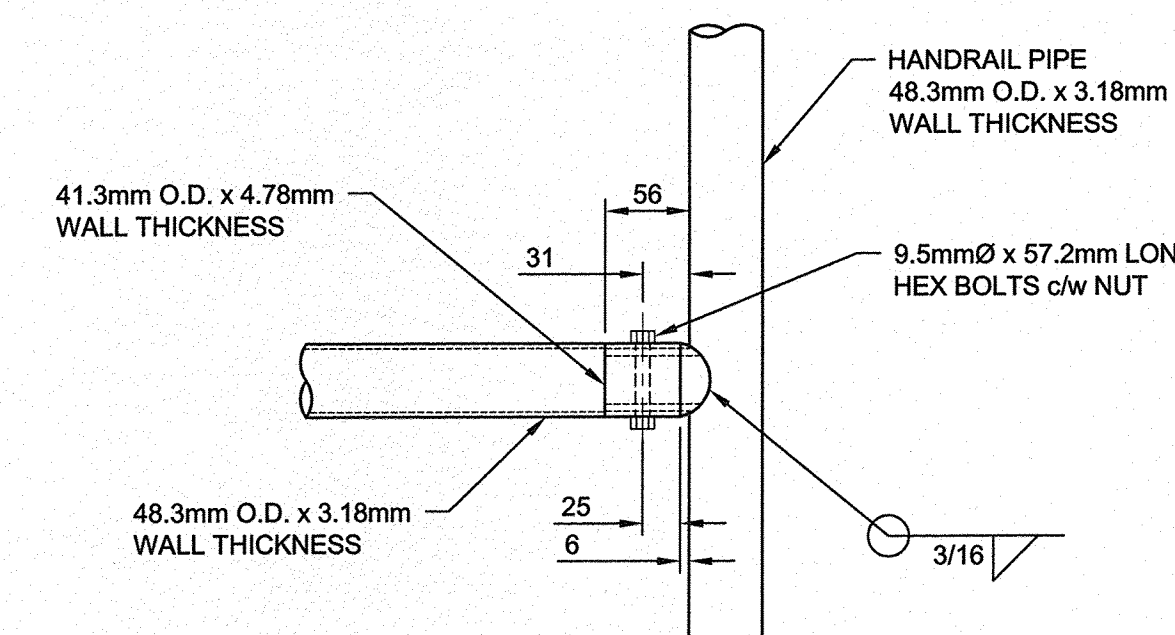
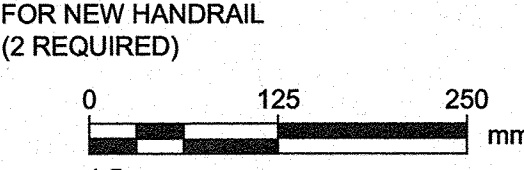
3 DETAIL
LD-7418 2200mm CSP BEVELED END SECTION



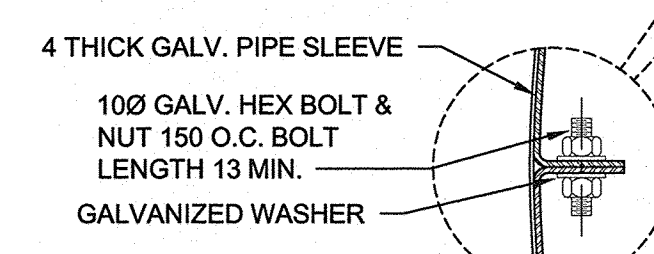
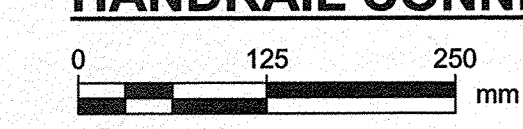
4 DETAIL
LD-7418 INTERNAL SLIP JOINT



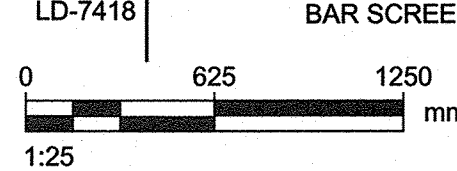
CONNECTION TO 2200mm CSP
FOR NEW HANDRAIL (2 REQUIRED)



HANDRAIL CONNECTION DETAIL



5 DETAIL
LD-7418 BAR SCREEN



| LOCATION APPROVED | | UNDERGROUND STRUCTURES | |
|--|-------------------|------------------------|-----|
| SUPR. U/G STRUCTURES COMMITTEE | DATE | | |
| NOTE: LOCATION OF UNDERGROUND STRUCTURES AS SHOWN ARE BASED ON THE BEST INFORMATION AVAILABLE. BUT NO GUARANTEE IS GIVEN THAT ALL EXISTING UTILITIES ARE SHOWN OR THAT THE GIVEN LOCATIONS ARE EXACT. CONFIRMATION OF EXISTENCE AND EXACT LOCATION OF ALL SERVICES MUST BE OBTAINED FROM THE INDIVIDUAL UTILITIES BEFORE PROCEEDING WITH CONSTRUCTION. | | | |
| 0 | ISSUED FOR TENDER | 14/11/12 | WJD |
| NO. | REVISIONS | YY/MM/DD | BY |

| | | | |
|--------------|----------|---------------------------|-----|
| AECOM | | PROFESSIONAL'S SEAL | |
| DESIGNED BY | MGM | CHECKED BY | JAT |
| DRAWN BY | ADL | APPROVED BY | CCW |
| HOR. SCALE | AS NOTED | RELEASED FOR CONSTRUCTION | |
| VERT. SCALE | N/A | DATE | |

APECM
 Certificate of Authorization
 AECOM Canada Ltd.
 No. 4671 Date: 13 Nov. 2014

THE CITY OF WINNIPEG
 WATER AND WASTE DEPARTMENT
 JEFFERSON EAST
 COMBINED SEWER RELIEF
 CONTRACT 4 - SEMPLE OUTFALL
 GATE CHAMBER
 STANDARD DETAILS

SHEET 03 OF 07
 CITY DRAWING NUMBER
LD-7419
 REV 0

BID OPPORTUNITY NO. 1062-2014