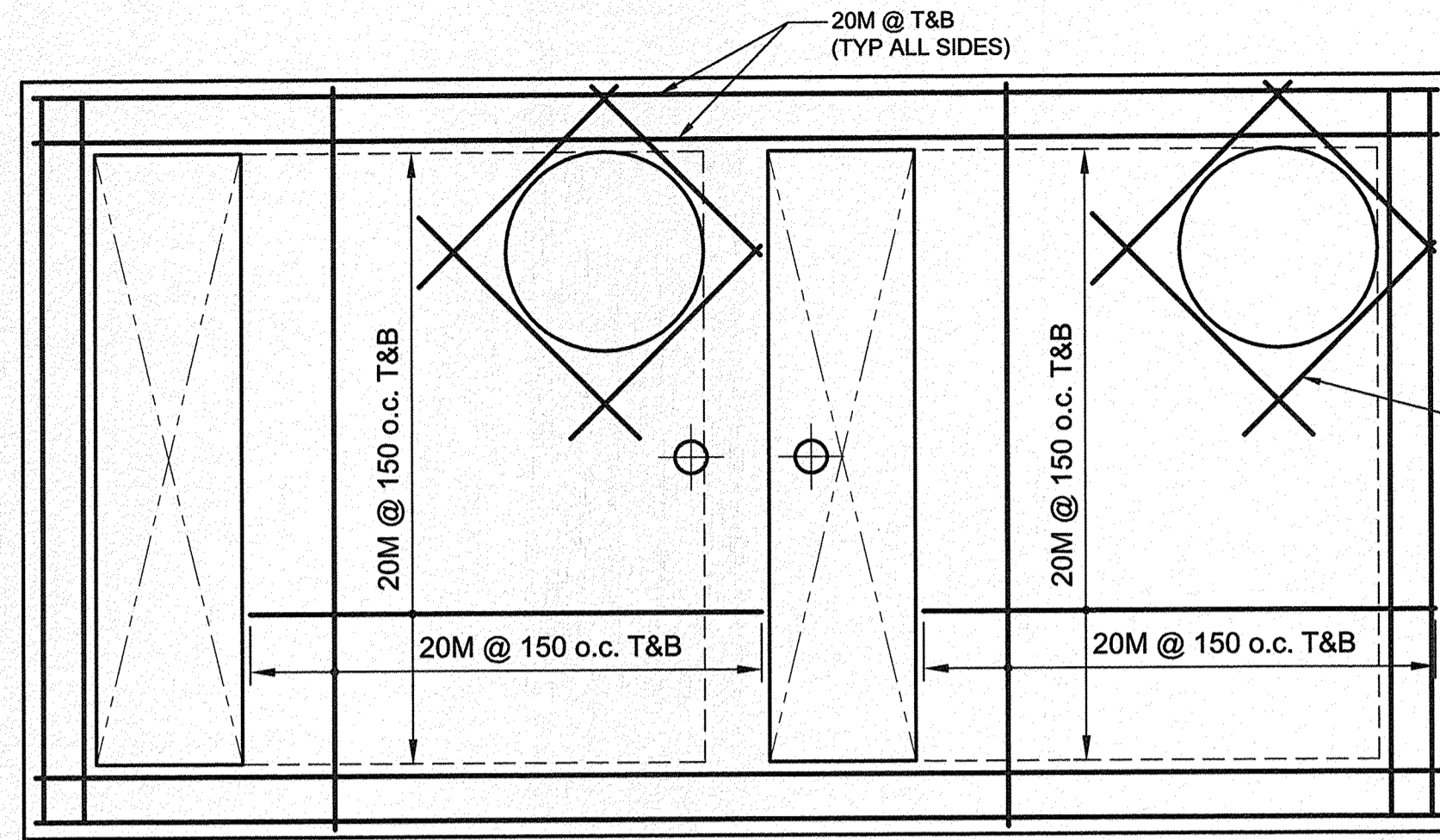
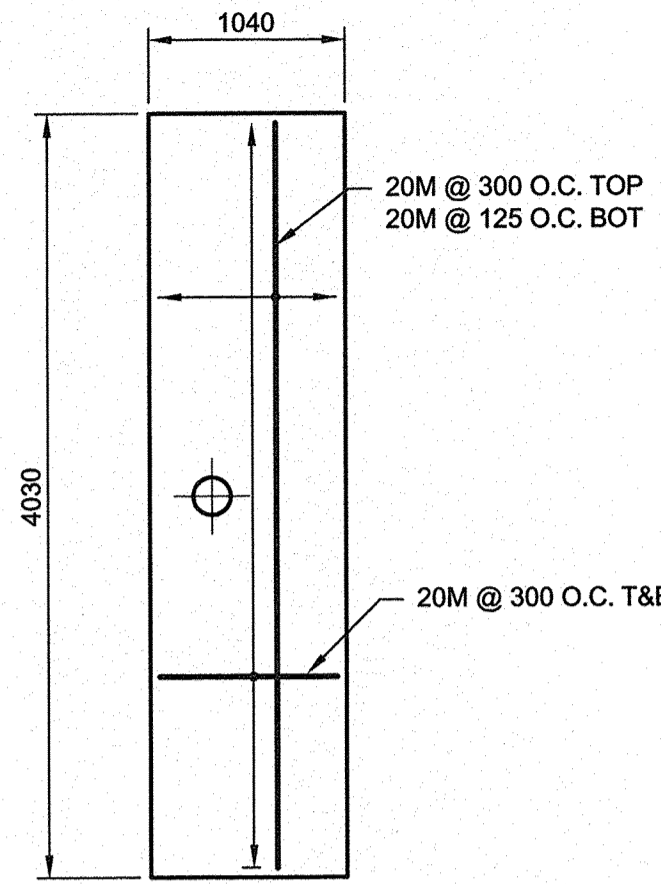
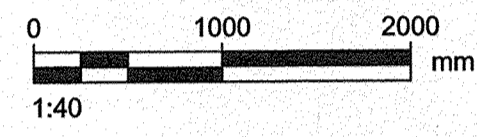


D SIZE 22" x 34" (559mm x 864mm)
 AECOM REVIEW DRFT CHK
 AECOM FILE NAME: P:\02\19315\000-CADD\040_cadd-bim_wip\Sheets\04\02-SHEETS\19315-SHT-00-Cor4-S-4002.dwg Saved By: PLOT: 11/12/2014 11:38:24 AM

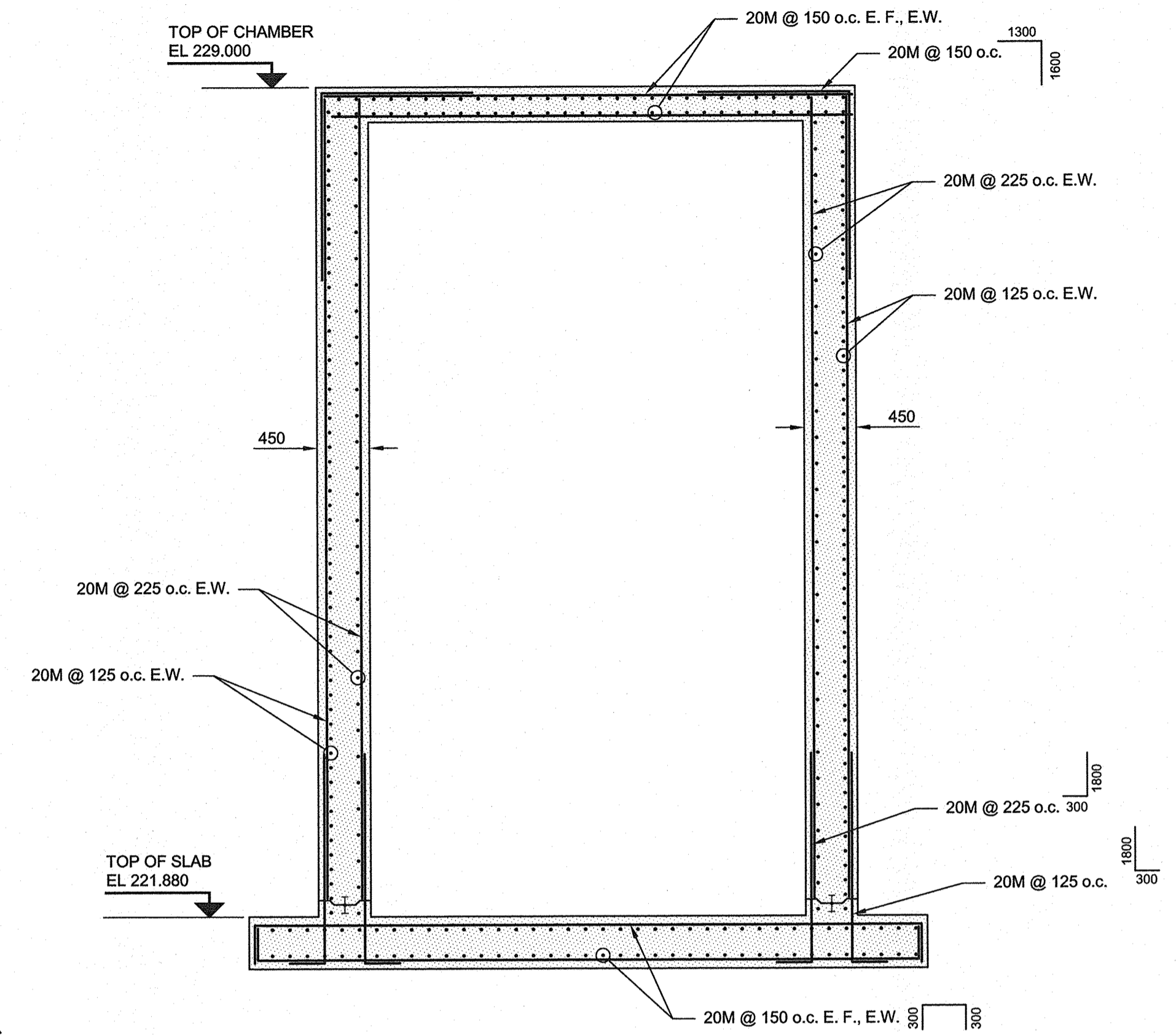
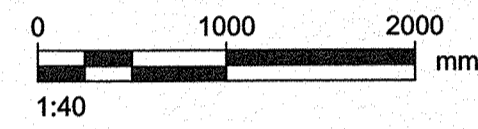


ROOF SLAB REINFORCING PLAN

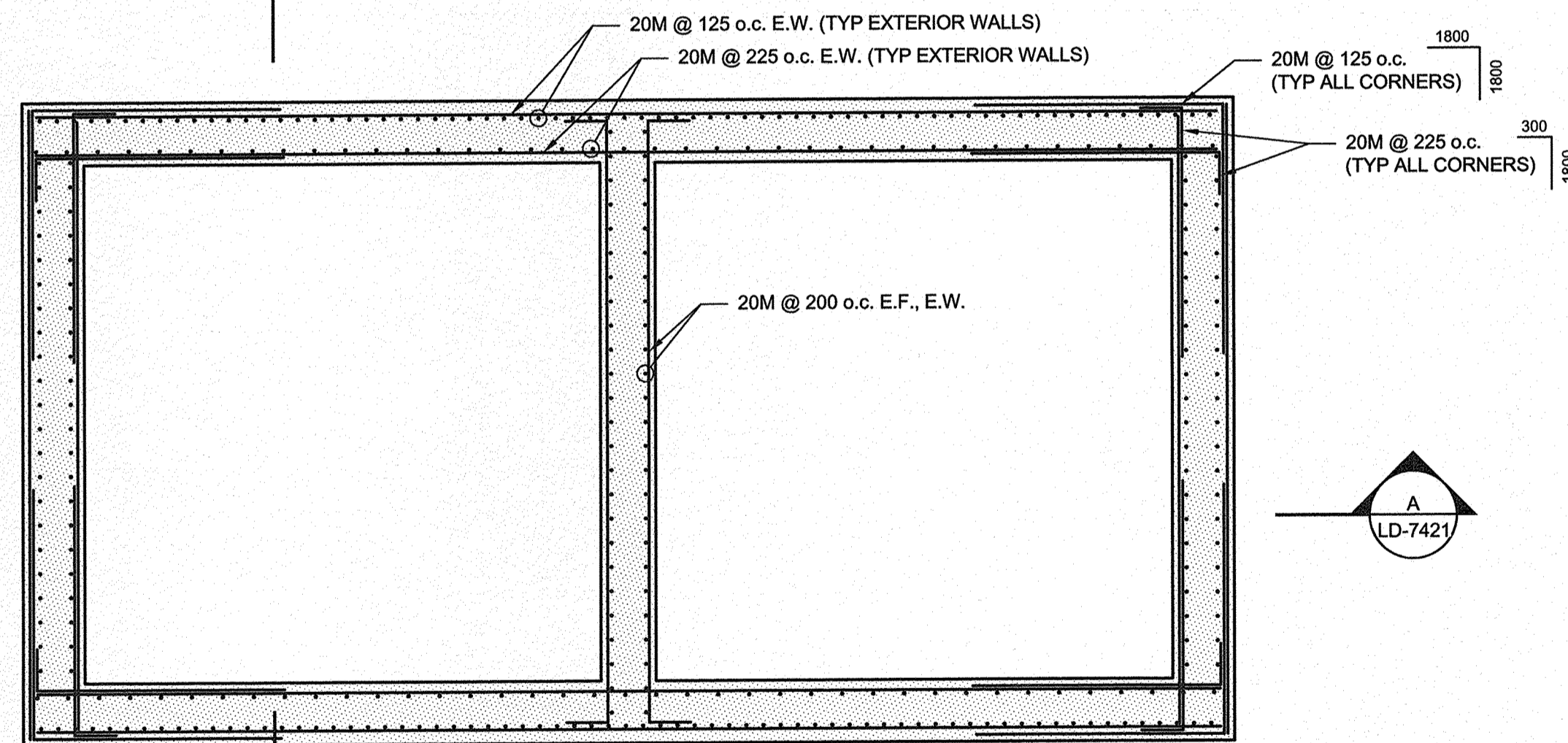
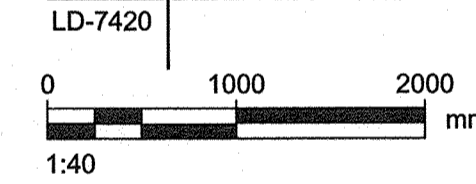


NOTE: SLEEVE TO BE CAST INTO REMOVABLE SLAB FOR VALVE BOX. CONFIRM LOCATION OF SLUICE GATE STEM PRIOR TO FABRICATION

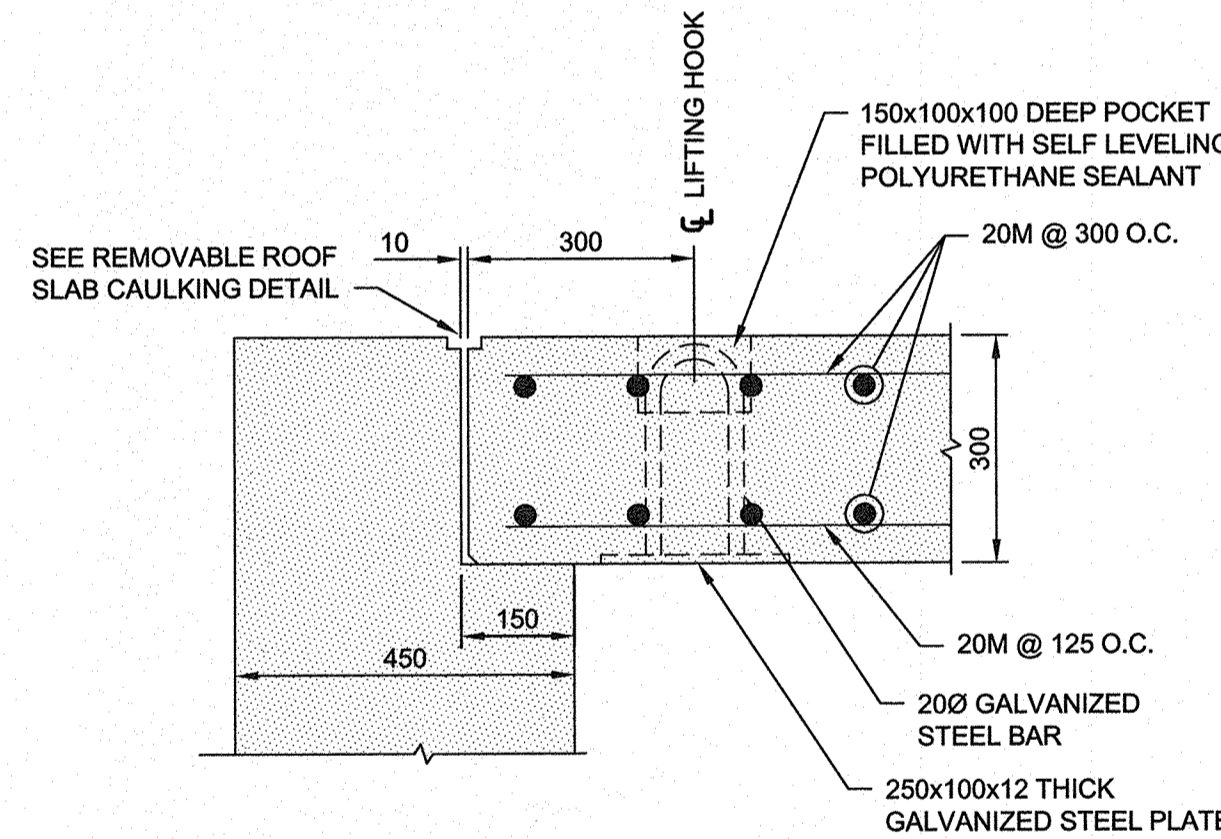
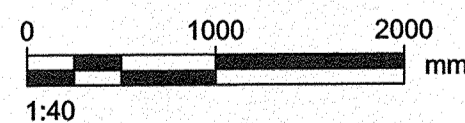
REMOVABLE ROOF SLAB REINFORCING PLAN



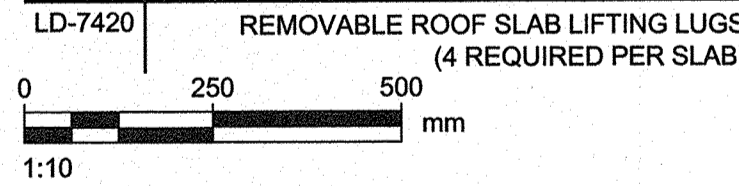
D SECTION



REINFORCING PLAN AT EL 228.00



DETAIL



LOCATION APPROVED UNDERGROUND STRUCTURES			
SUPR. U/G STRUCTURES	DATE	BY	DATE

NOTE: LOCATION OF UNDERGROUND STRUCTURES AS SHOWN ARE BASED ON THE BEST INFORMATION AVAILABLE. BUT NO GUARANTEE IS GIVEN THAT ALL EXISTING UTILITIES ARE SHOWN OR THAT THE GIVEN LOCATIONS ARE EXACT. CONFIRMATION OF EXISTENCE AND EXACT LOCATION OF ALL SERVICES MUST BE OBTAINED FROM THE INDIVIDUAL UTILITIES BEFORE PROCEEDING WITH CONSTRUCTION.

DESIGNED BY	JAT	CHECKED BY	EDT
DRAWN BY	ADL	APPROVED BY	CCW
HOR. SCALE	1:250	RELEASED FOR CONSTRUCTION	
VERT. SCALE	1:50	DATE	

AECOM
 Certificate of Authorization
 AECOM Canada Ltd.
 No. 4671 Date: 2014/1/3

PROFESSIONAL'S SEAL
 PROVINCE OF MANITOBA
 REGISTERED PROFESSIONAL ENGINEER
 S.B. BISWANGER
 2014/1/3
 CONSULTANT DRAWING NO.
 60219315-SHT-00-Cor4-S-4002

THE CITY OF WINNIPEG WATER AND WASTE DEPARTMENT

JEFFERSON EAST
 COMBINED SEWER RELIEF
 CONTRACT 4 - SEMPLÉ OUTFALL
 GATE CHAMBER
 STRUCTURAL REINFORCING DETAILS

SHEET 06 OF 07
 CITY DRAWING NUMBER
 LD-7422
 REV 0

BID OPPORTUNITY NO. 1062-2014

METRIC
 WHOLE NUMBERS INDICATE MILLIMETRES
 DECIMALIZED NUMBERS INDICATE METRES