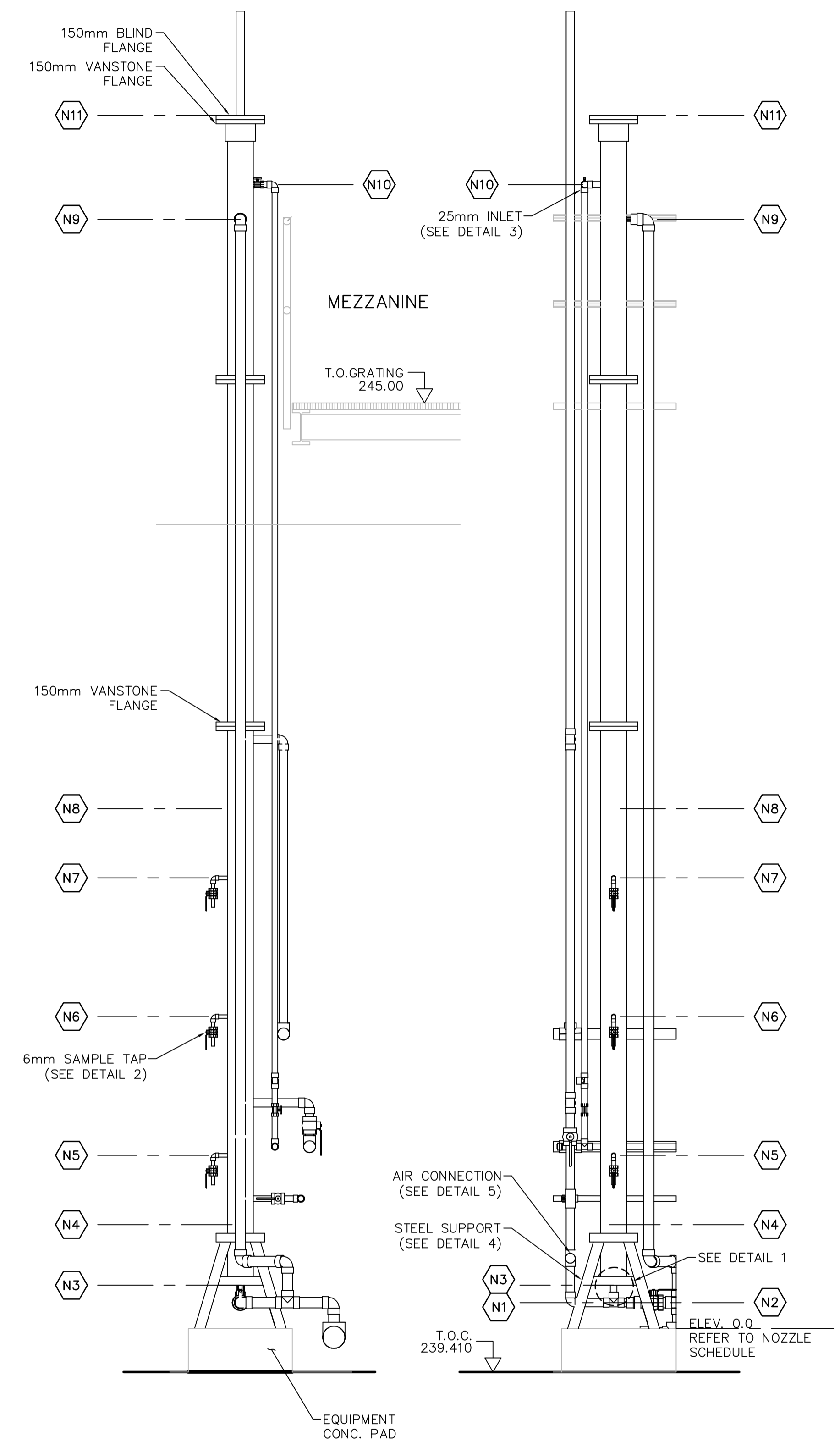


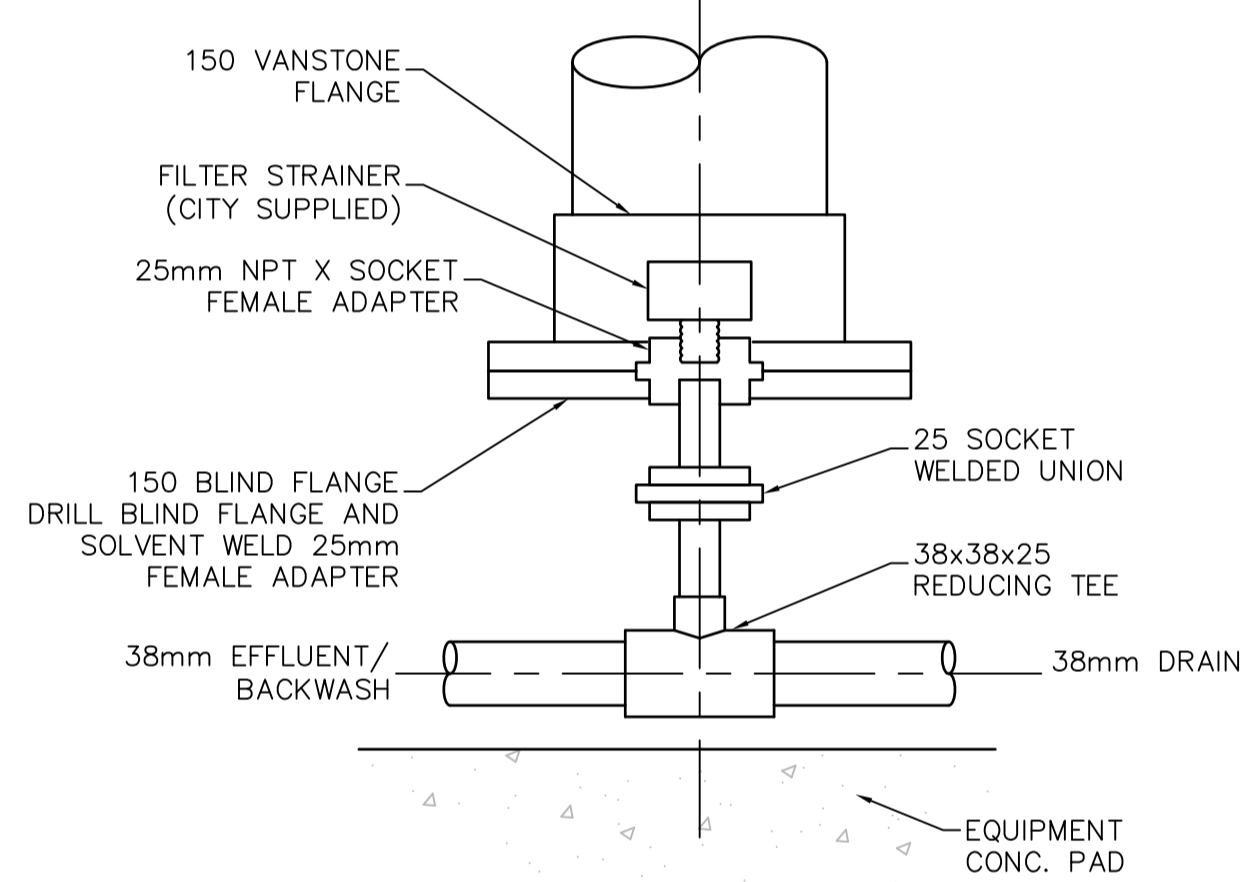
NOZZLE SCHEDULE			
TAG No.	SIZE/ SERVICE	DESCRIPTION	ELEV.
N1	38mm FILTERED WATER/BACKWASH	SEE DETAIL 1	150 APPROX.
N2	38mm DRAIN	SEE DETAIL 1	150 APPROX.
N3	19mm OUTLET	SEE DETAIL 1	250
N4	6mm Δ P TAP		600
N5	6mm SAMPLE TAP	SEE DETAIL 2	1000
N6	6mm SAMPLE TAP	SEE DETAIL 2	1800
N7	6mm SAMPLE TAP	SEE DETAIL 2	2600
N8	6mm Δ P TAP		3000
N9	50mm OVERFLOW	DRILL AND TAP 50mm NPT	6400
N10	25mm INLET	SEE DETAIL 3	6600
N11	12mm VENT	DRILL AND TAP 12mm NPT	7000

NOTES:  
 COLUMNS: Ø150mm x 6750mm HIGH, SCH. 80 CLEAR PVC  
 COLUMNS STRAPPED TO SUPPORTING STEEL FOR LATERAL STABILITY.  
 FILTERS OPERATE AS CONSTANT FLOW, RISING HEAD  
 TYPICAL OF 8 FILTER COLUMNS. REFER TO PROCESS MECHANICAL DRAWINGS.

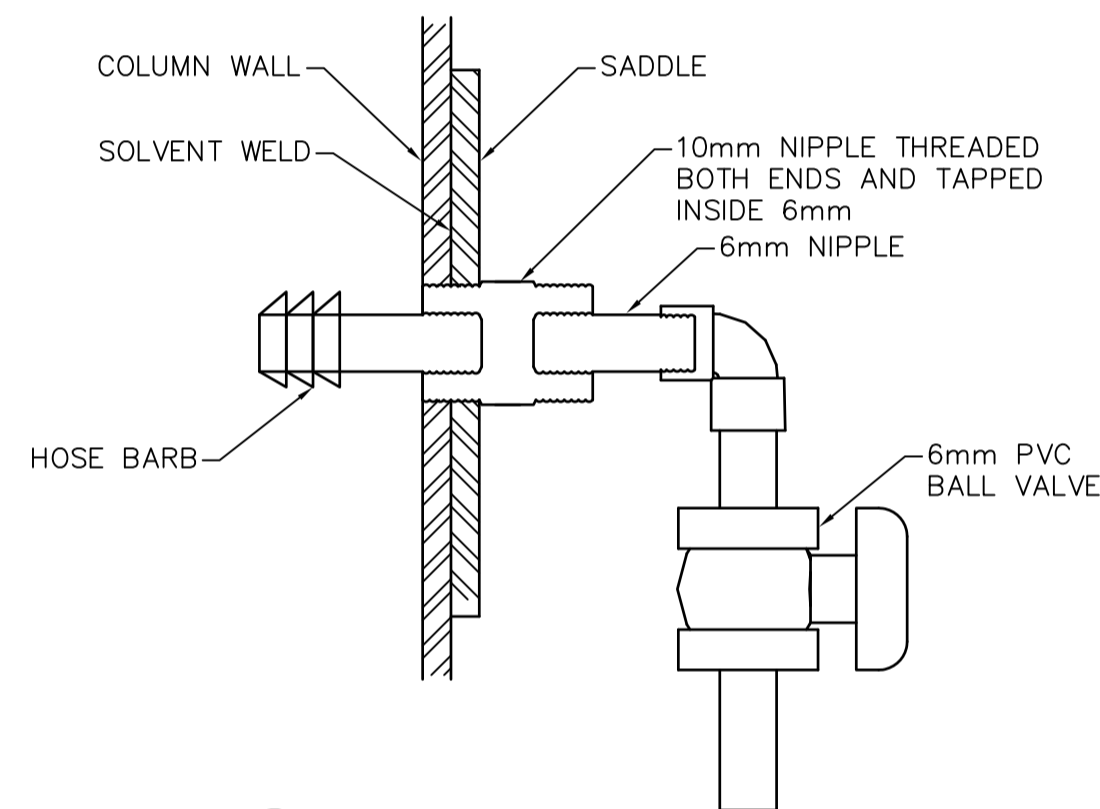


A SECTION  
1:20

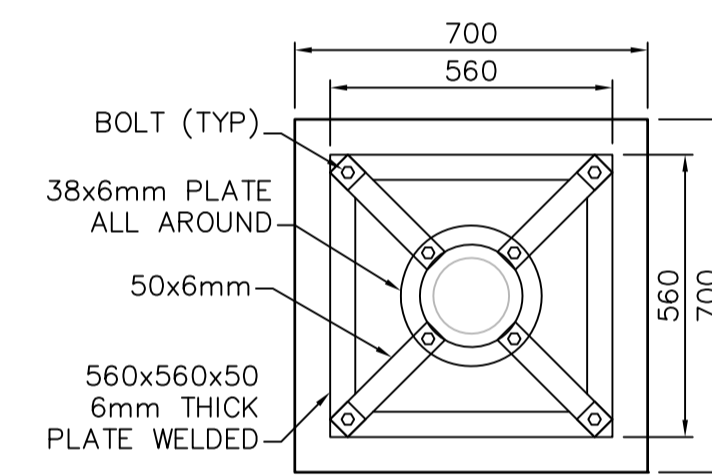
B SECTION (FRONT)  
1:20



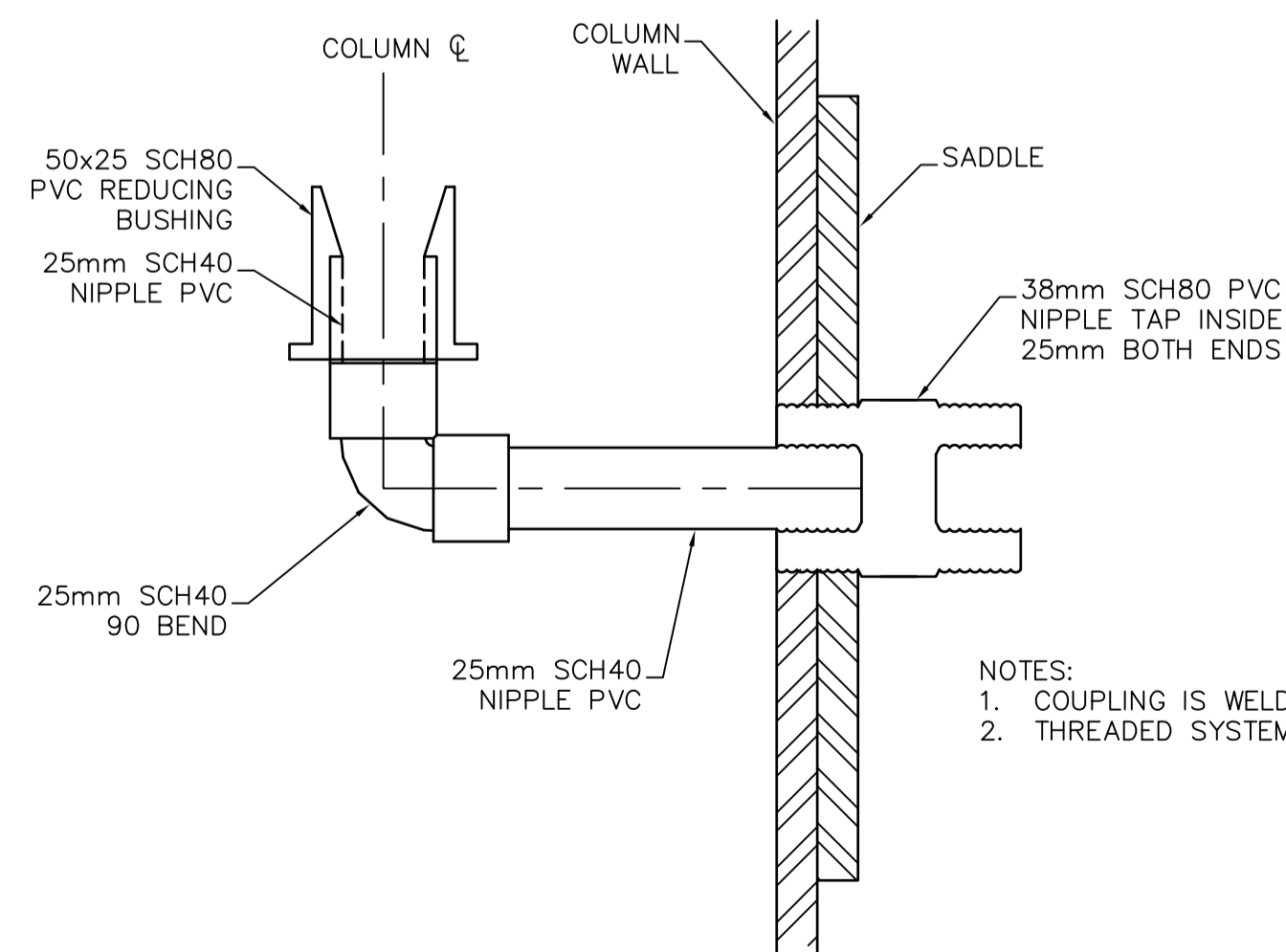
1 DETAIL  
NTS



2 DETAIL  
NTS

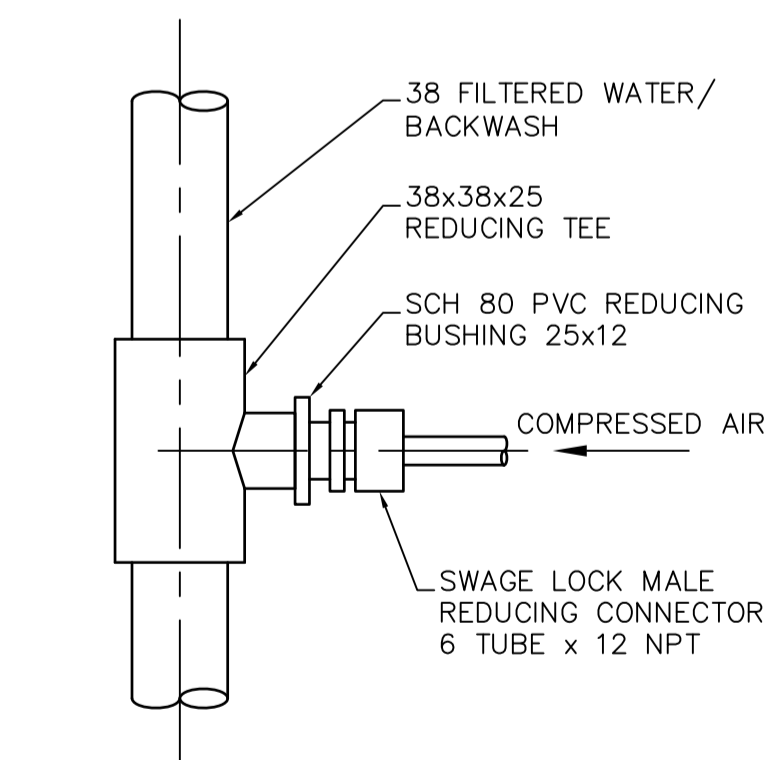


4 DETAIL  
NTS



3 DETAIL  
NTS

NOTES:  
 1. COUPLING IS WELDED TO THE PVC.  
 2. THREADED SYSTEM IS PREFERRED.



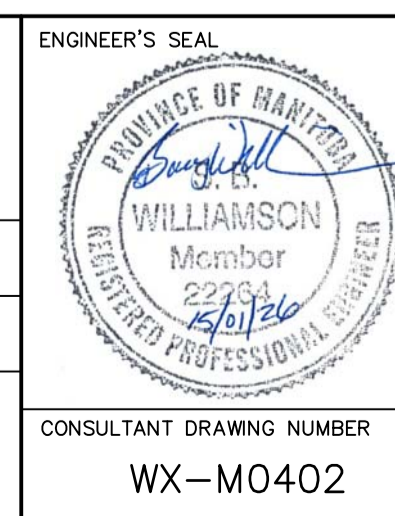
5 DETAIL  
NTS



B.M. ELEV.		CONSTRUCTION COMPLETION DATE: YYYY MM DD	
1	ISSUED FOR BID OP. 1068-2014	15/01/23	JBC
0	ISSUED FOR TENDER	14/06/13	JBC
NO.	REVISIONS	DATE	BY



DESIGNED BY	KG	CHECKED BY	BW
DRAWN BY	JBC	APPROVED BY	BW
SCALE:		RELEASED FOR CONSTRUCTION	
HORIZONTAL	1:50		
VERTICAL	-		
DATE	2014 06 13	DATE	



THE CITY OF WINNIPEG  
 WATER AND WASTE DEPARTMENT  
 ENGINEERING DIVISION

Winnipeg

CITY OF WINNIPEG WATER TREATMENT RESEARCH AND PROCESS OPTIMIZATION FACILITY  
 PROCESS MECHANICAL  
 FILTER COLUMN DETAILS

SHEET X OF X  
 CITY DRAWING NUMBER  
 1-0601X-M0006-001-01