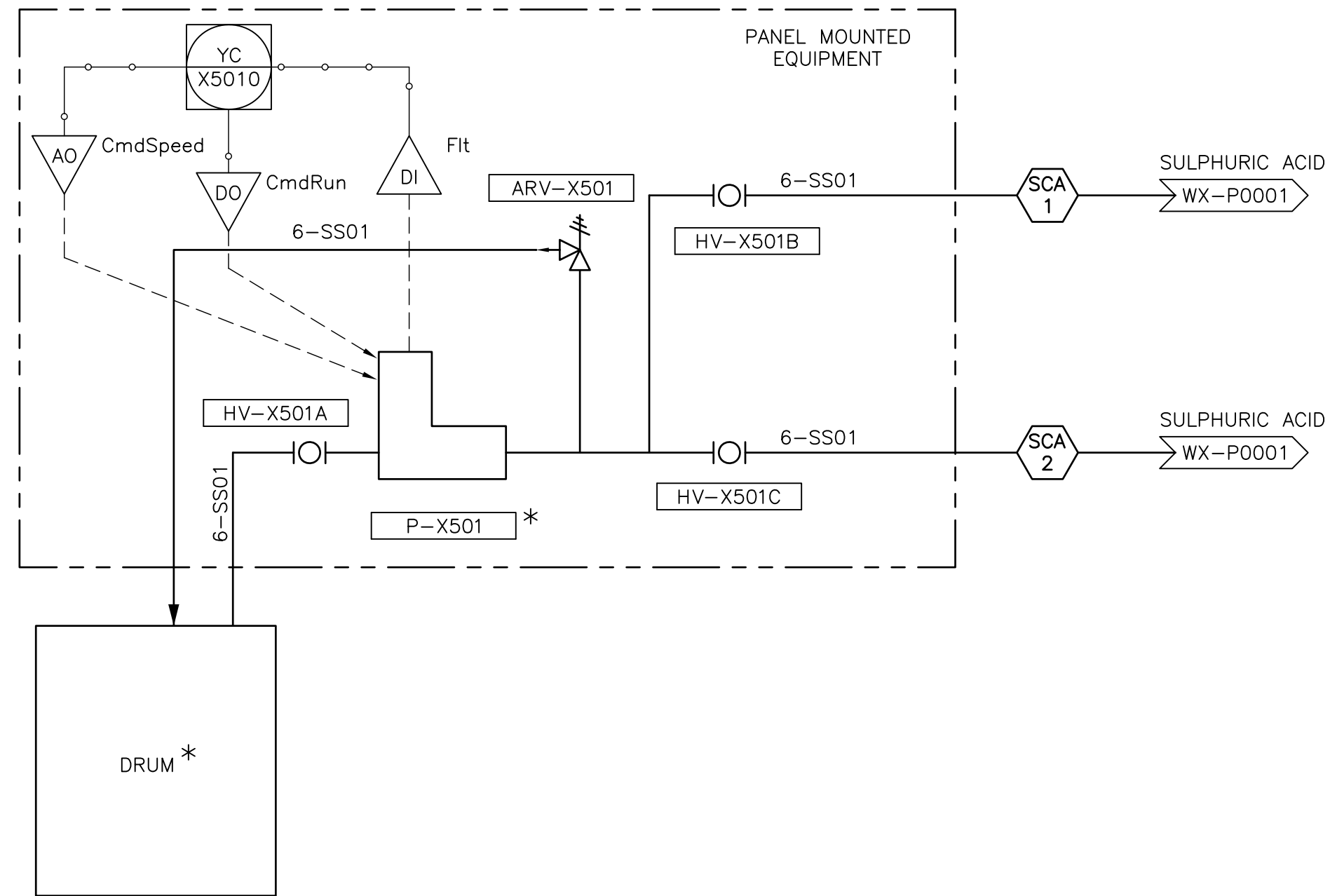
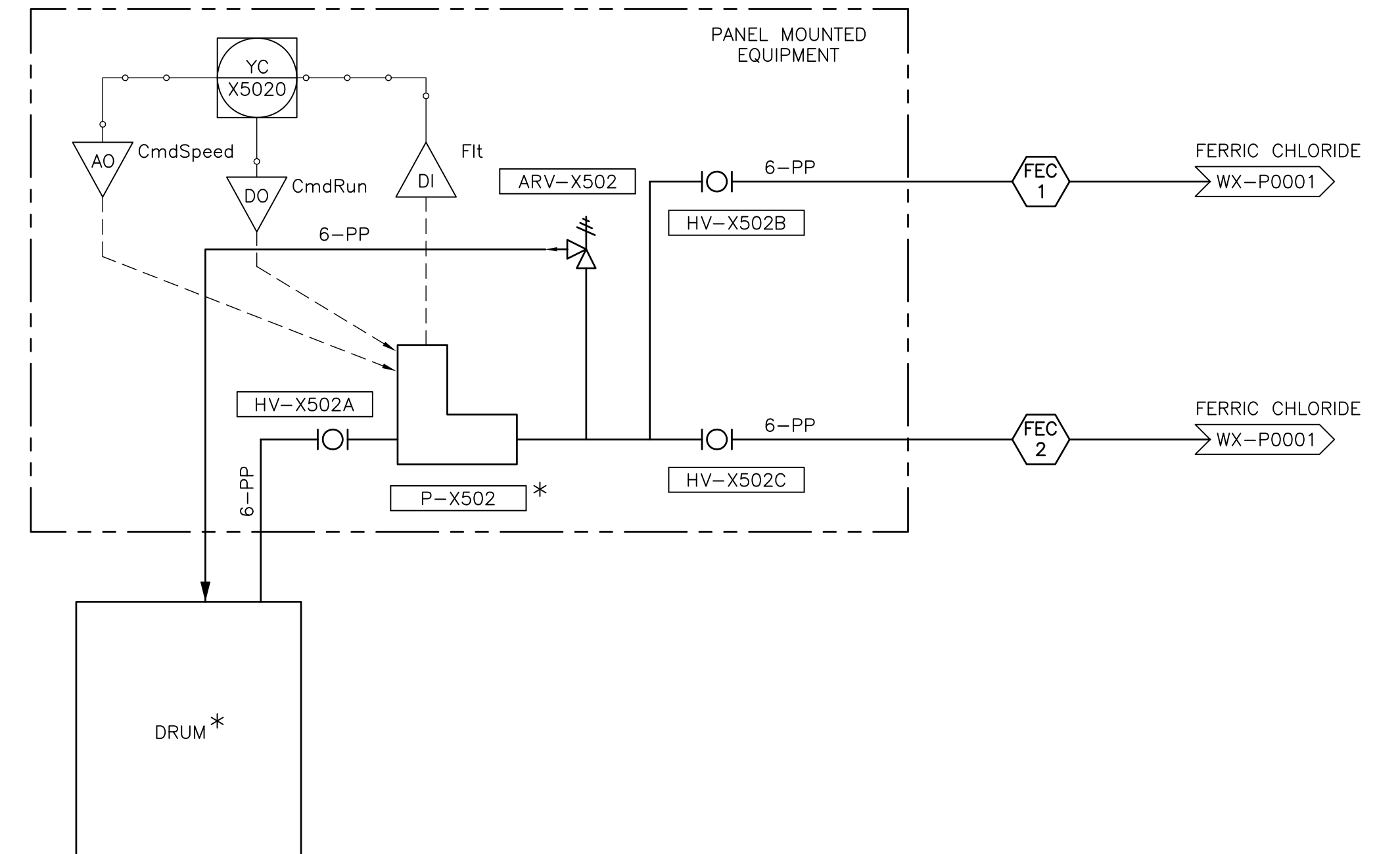


P-X501/ X502
CHEMICAL METERING PUMPS
MAX PRESSURE: 70m (100 psi)
FLOW: 0.1 - 500 mL/min

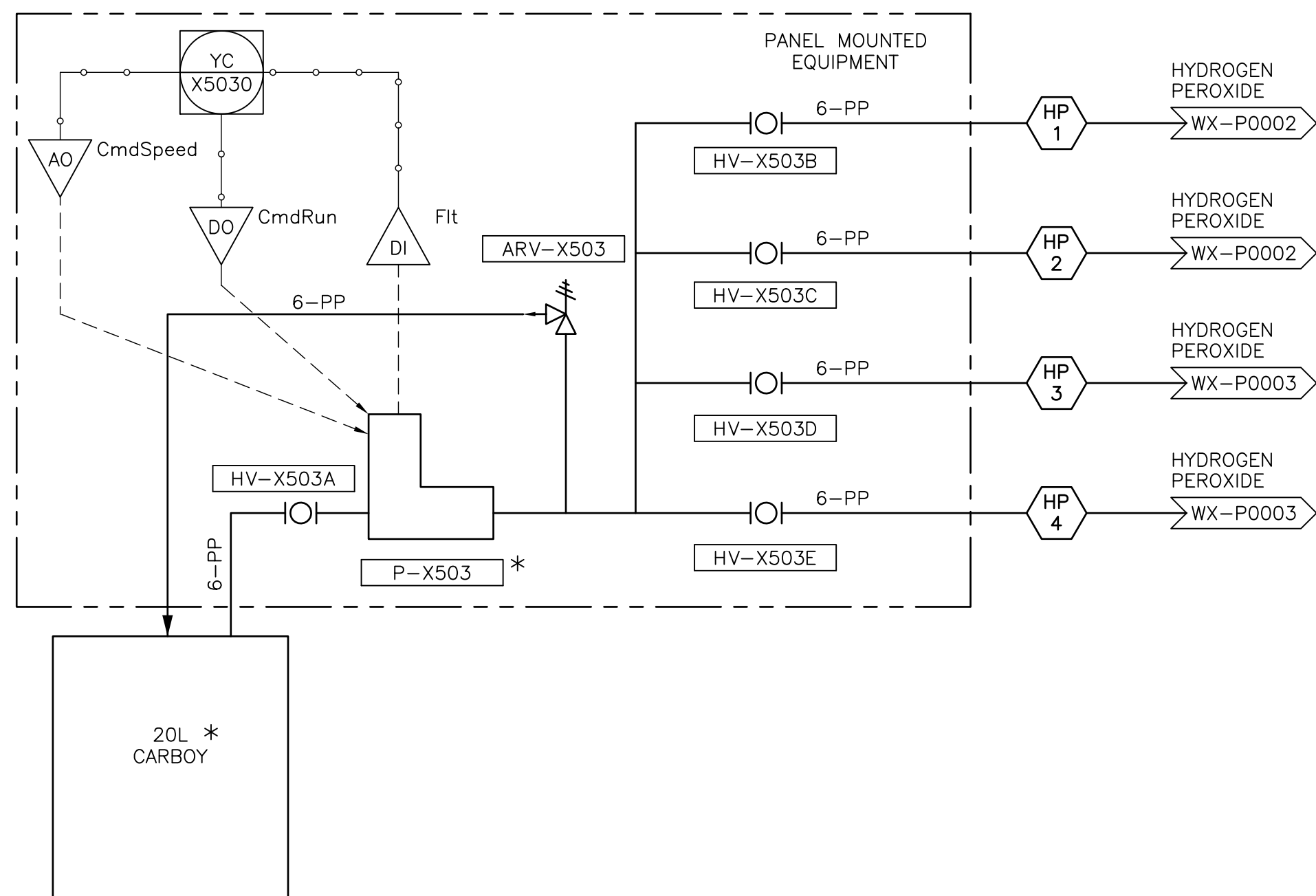
P-X503/ X504
CHEMICAL METERING PUMPS
MAX PRESSURE: 21m (30 psi)
FLOW: 0.004 - 9 mL/min



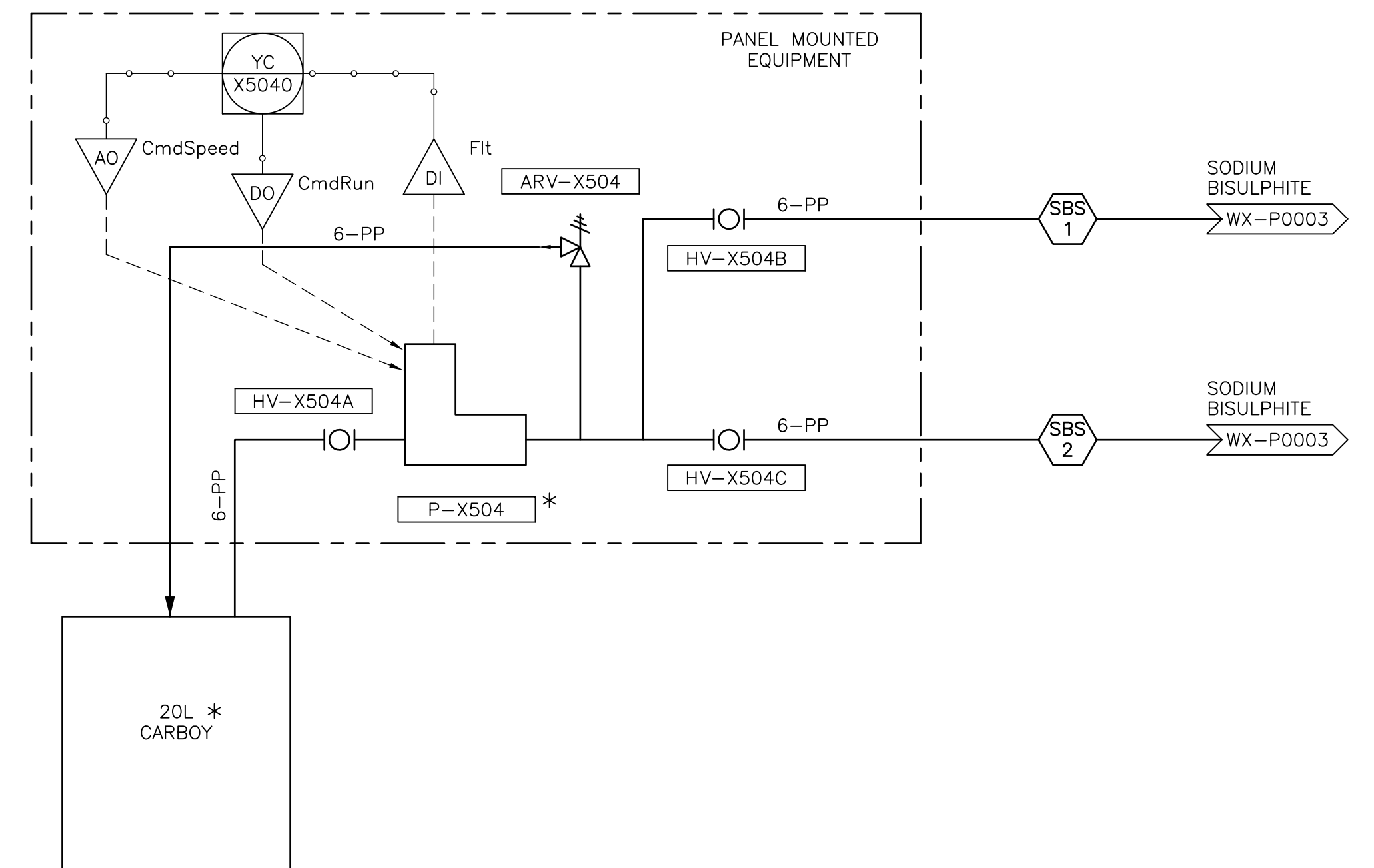
SULPHURIC ACID FEED SYSTEM



FERRIC CHLORIDE FEED SYSTEM



HYDROGEN PEROXIDE FEED SYSTEM



SODIUM BISULPHITE FEED SYSTEM

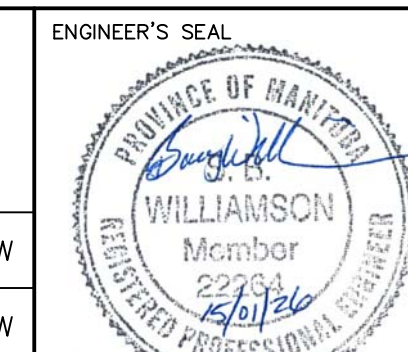
NOTES:

* CITY OF WINNIPEG TO SUPPLY EQUIPMENT/ INSTRUMENTATION. CONTRACTOR TO INSTALL.

ORIENTATION NOT EXACTLY AS SHOWN, TO BE DETERMINED BY CONTRACTOR.



B.M. ELEV.			
CONSTRUCTION COMPLETION DATE: YYYY MM DD			
DESIGNED BY	KG	CHECKED BY	BW
DRAWN BY	JBC	APPROVED BY	BW
SCALE:	HORIZONTAL	NTS	RELEASED FOR CONSTRUCTION
	VERTICAL	-	
DATE	2014 06 13	DATE	
NO.	REVISIONS	DATE	BY
1	ISSUED FOR BID OP. 1068-2014	15/01/23	JBC
0	ISSUED FOR TENDER	14/06/13	JBC



THE CITY OF WINNIPEG
WATER AND WASTE DEPARTMENT
ENGINEERING DIVISION

CITY OF WINNIPEG WATER TREATMENT RESEARCH AND PROCESS OPTIMIZATION FACILITY
PROCESS
CHEMICAL FEED SYSTEMS (SHET 1 OF 2)
PROCESS AND INSTRUMENTATION DIAGRAM

SHEET X OF X
CITY DRAWING NUMBER
1-0601X-P0006-001-01

PLOT DATE: 2015 01 26

BID OPPORTUNITY: 1068-2014

FILE PATH: \\WINNIPEG\Pro\WinnipegCityof\462784Waterworks\DWG\DLV\462784-P-0001.dwg