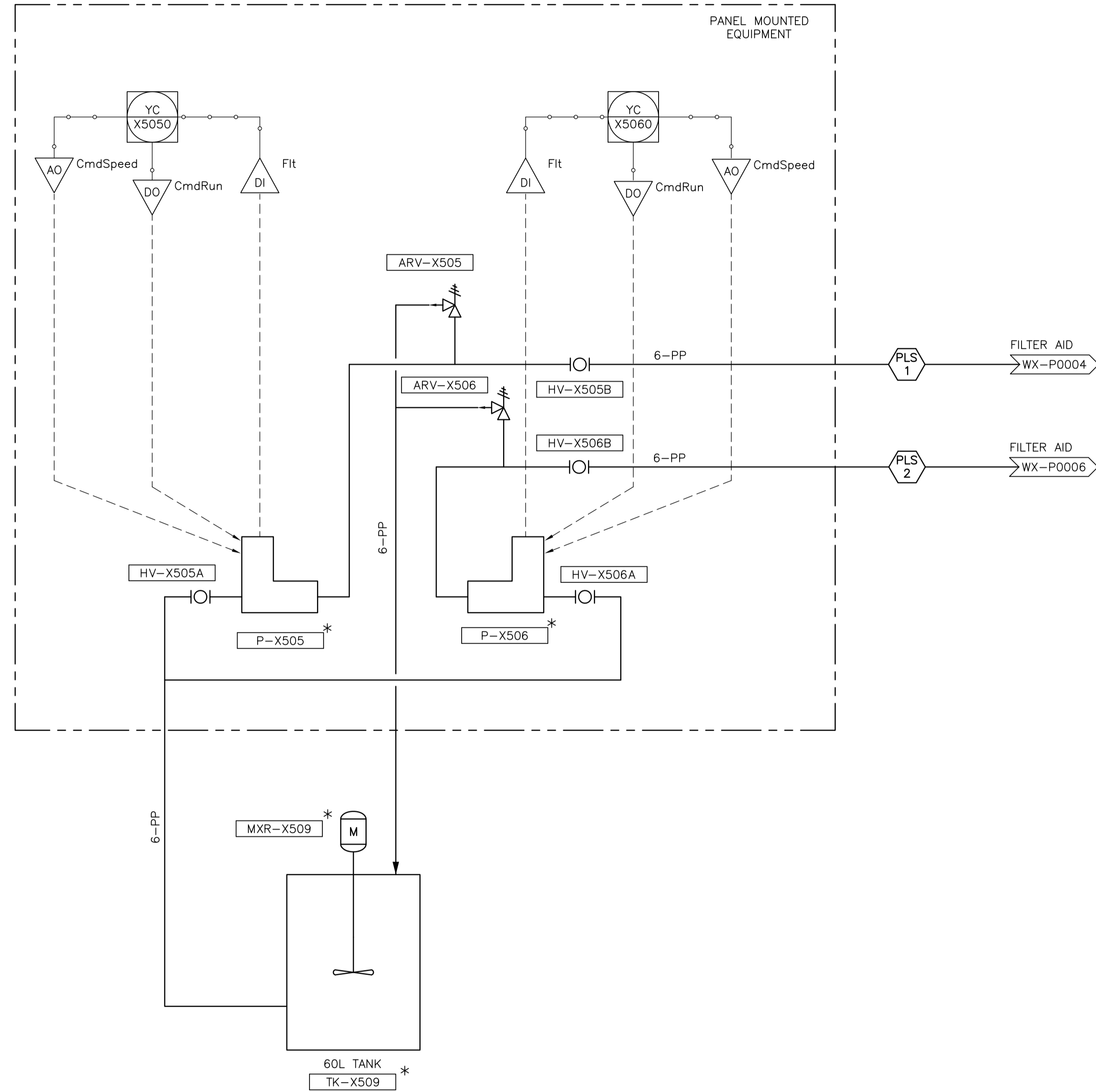


P-X505/ X506  
**CHEMICAL METERING PUMP**  
 MAX PRESSURE: 70m (100 psi)  
 MAX FLOW: 1.25 mL/min

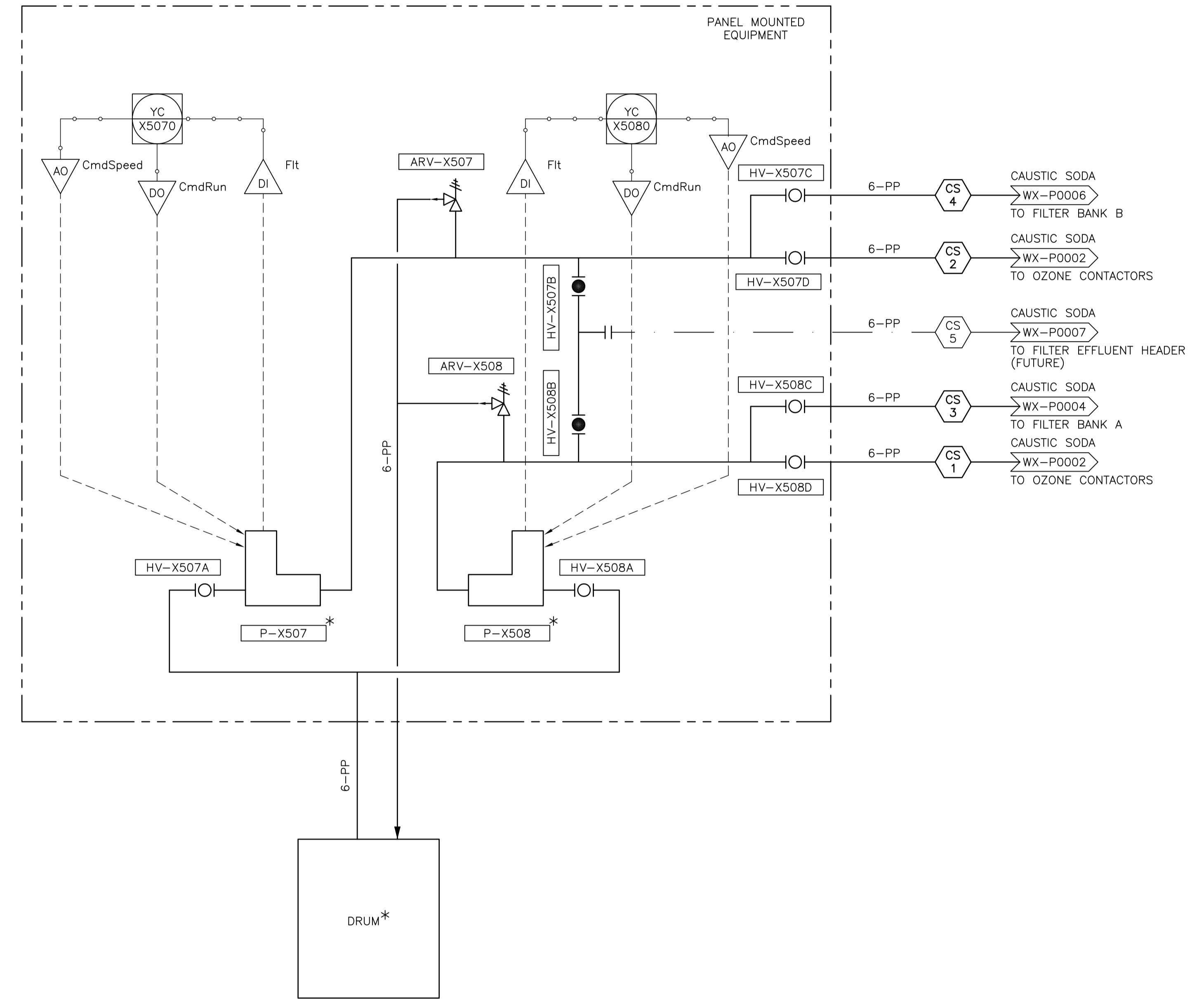
P-X507/ X508  
**CHEMICAL METERING PUMPS**  
 MAX PRESSURE: 70m (100 psi)  
 FLOW: 0.1 - 500 mL/min

TK-X509  
**FILTER AID SOLUTION TANK**  
 VOLUME: 60 L

MXR-X509  
**FILTER AID SOLUTION MIXER**  
 MOTOR: 1 /20 hP



**FILTER AID FEED SYSTEM**



**CAUSTIC SODA FEED SYSTEM**

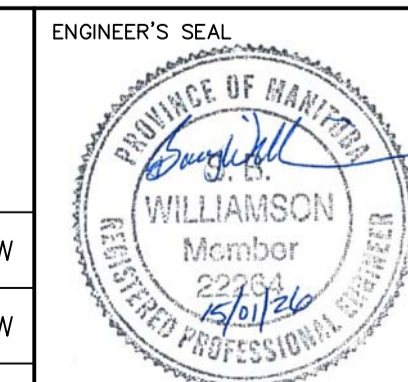
**NOTES:**

\* CITY OF WINNIPEG TO SUPPLY EQUIPMENT/ INSTRUMENTATION. CONTRACTOR TO INSTALL.

ORIENTATION NOT EXACTLY AS SHOWN, TO BE DETERMINED BY CONTRACTOR.



B.M. ELEV.			
CONSTRUCTION COMPLETION DATE: YYYY MM DD			
DESIGNED BY	KG	CHECKED BY	BW
DRAWN BY	JBC	APPROVED BY	BW
SCALE:	HORIZONTAL	NTS	RELEASED FOR CONSTRUCTION
	VERTICAL	-	
DATE	2014 06 13	DATE	
NO.	REVISIONS	DATE	BY
1	ISSUED FOR BID OP. 1068-2014	15/01/23	JBC
0	ISSUED FOR TENDER	14/06/13	JBC



**THE CITY OF WINNIPEG**  
 WATER AND WASTE DEPARTMENT  
 ENGINEERING DIVISION

**Winnipeg**

CITY OF WINNIPEG WATER TREATMENT RESEARCH AND PROCESS OPTIMIZATION FACILITY  
 PROCESS FEED SYSTEMS (SHEET 2 OF 2)  
 PROCESS AND INSTRUMENTATION DIAGRAM

SHEET X OF X  
 CITY DRAWING NUMBER  
 1-0601X-P0006-002-01