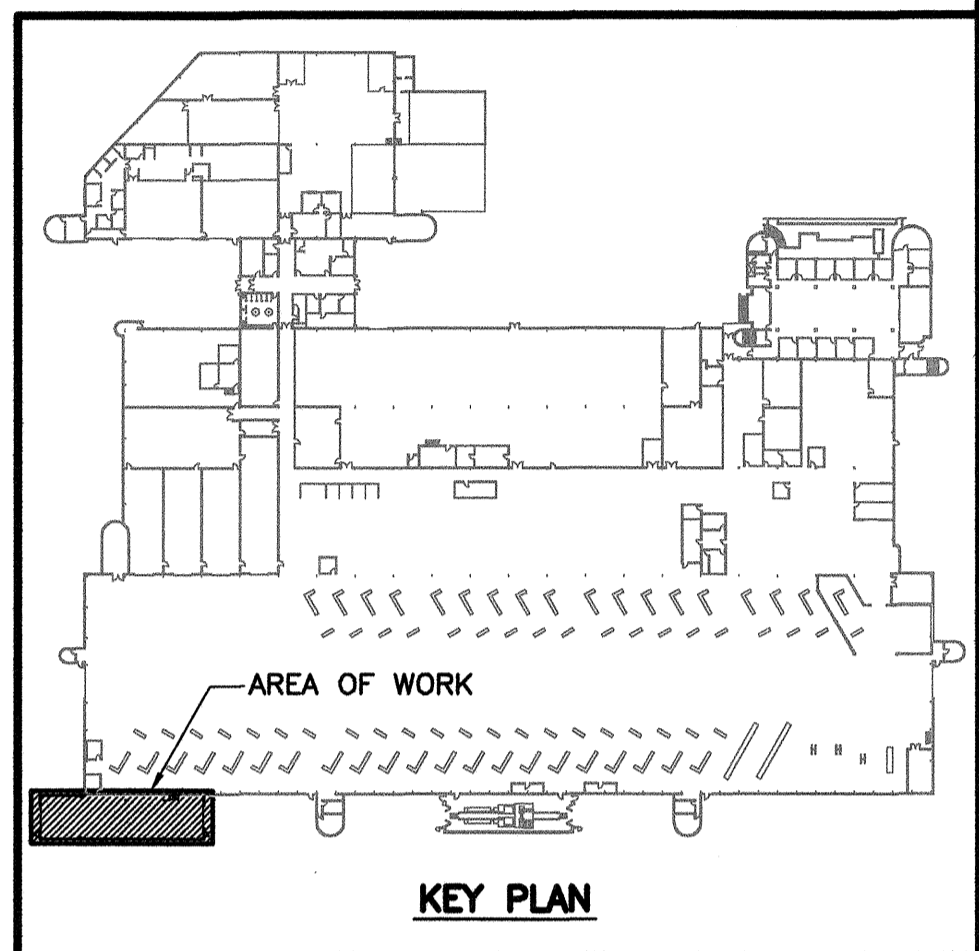
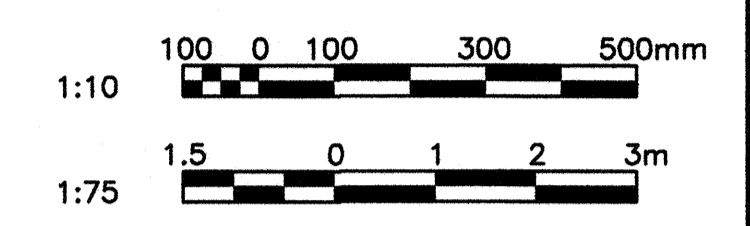


NOTES:

- PROVIDE CURBS AND FLASHINGS TO ENSURE WATER-TIGHT INSTALLATION OF ALL PENETRATIONS THROUGH NEW AND EXISTING ROOFS.
- PENETRATIONS INCLUDE BUT ARE NOT LIMITED TO VENTING, GAS PIPING, POWER AND CONTROL WIRING FOR ROOF TOP EQUIPMENT, ETC.
- COORDINATE WITH MECHANICAL & ELECTRICAL.

REFERENCE DRAWINGS	
NO.	DESCRIPTION

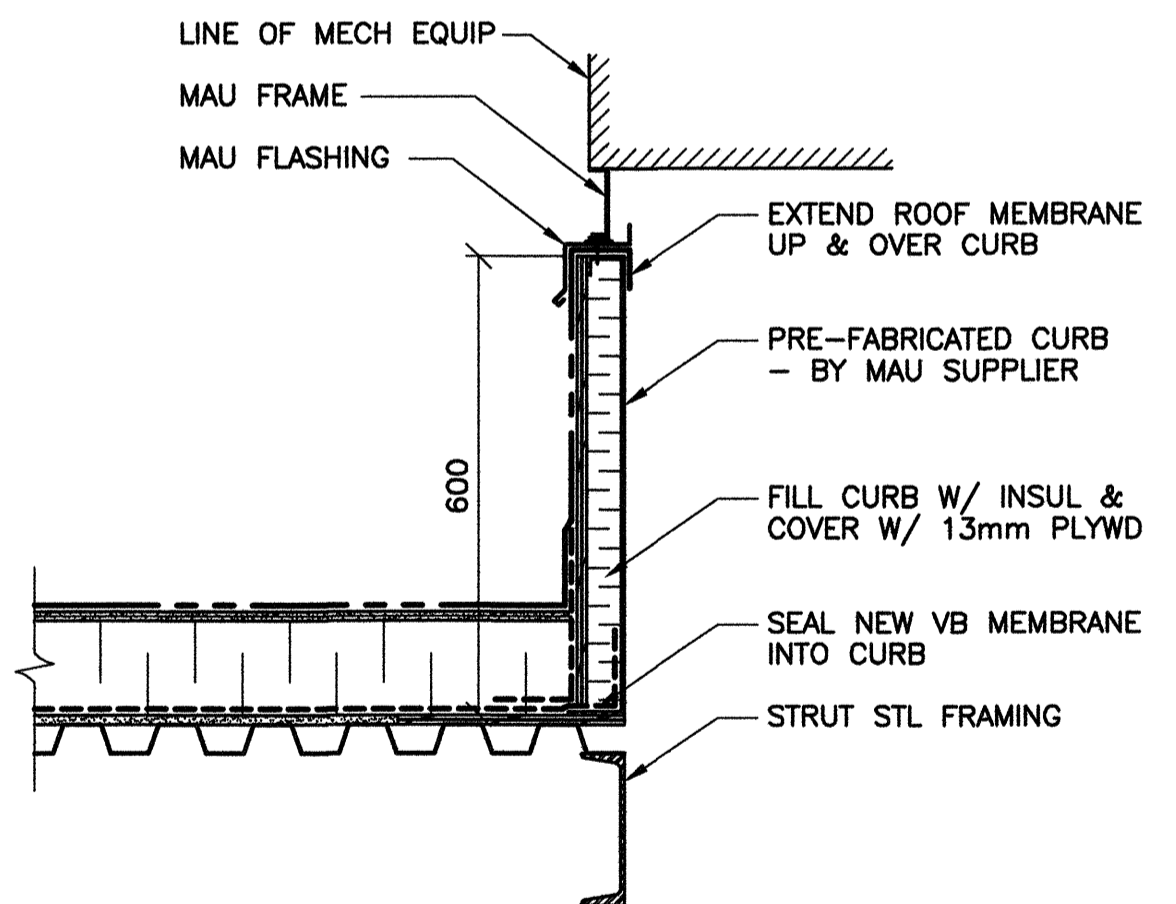


NO.	DATE	DESCRIPTION	PREPARED	REVIEW	DESIGN	APPROVAL
00	14.01.17	ISSUED FOR CONSTRUCTION	EV	CM	DLP	

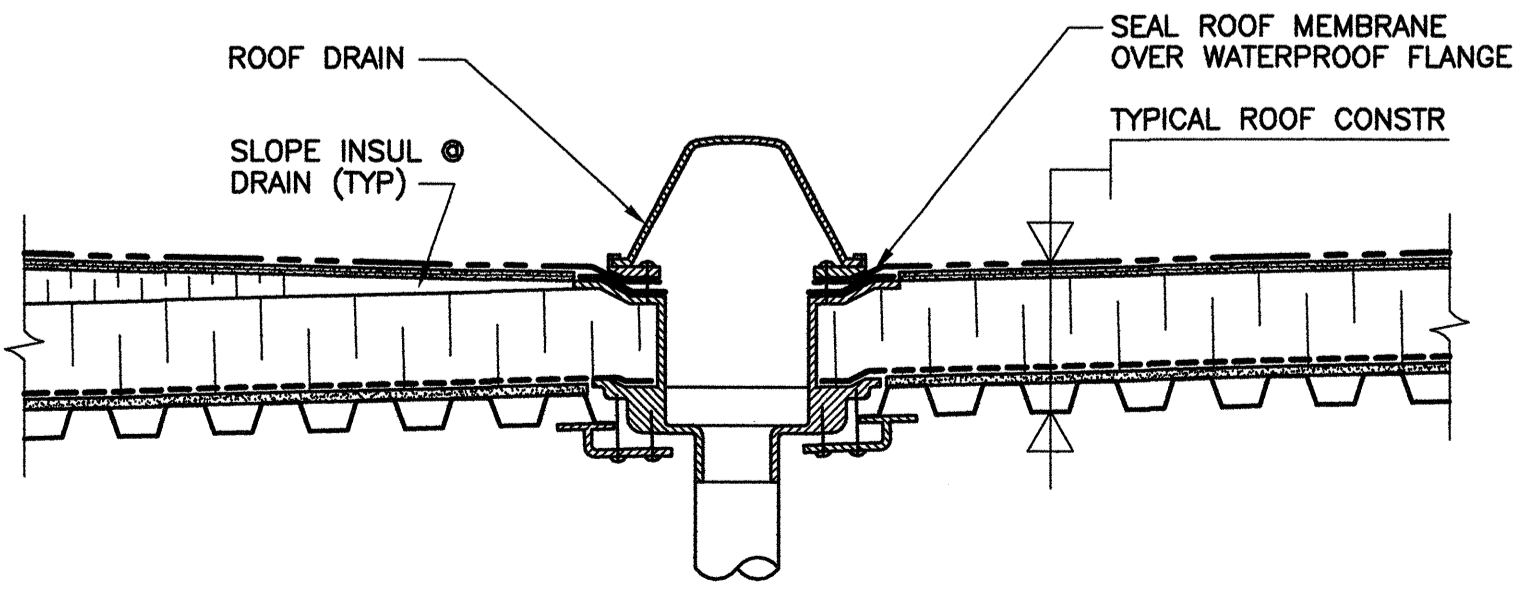
1 ROOF PLAN
1 : 75

ROOF SLOPES:

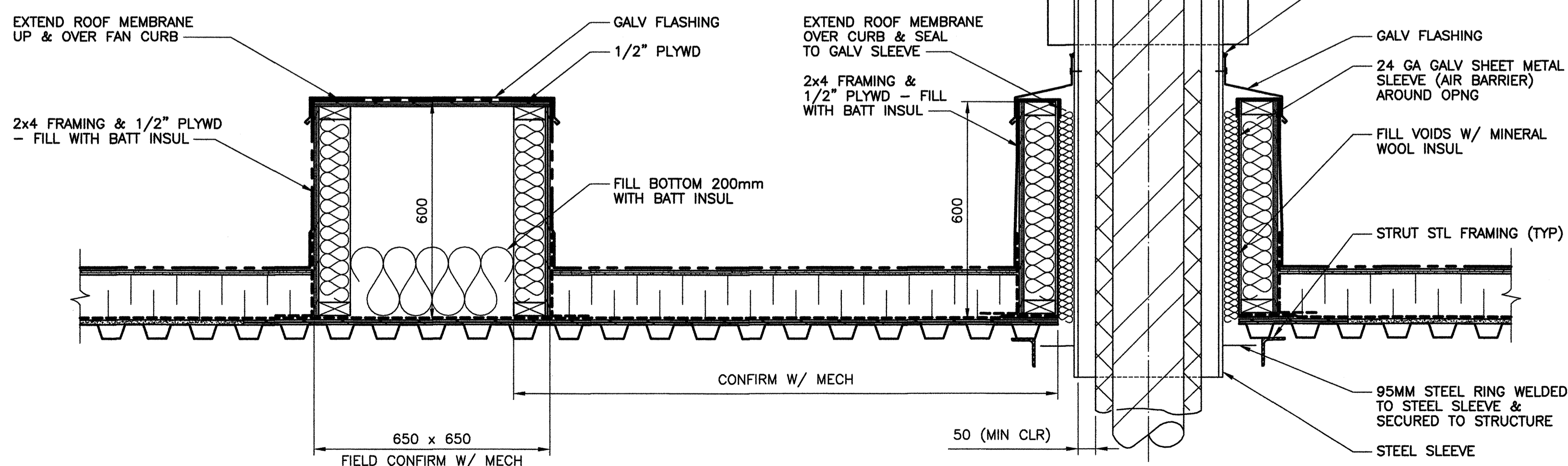
- NOMINAL 2.5% STRUCTURAL SLOPE FROM NORTH TO SOUTH - REFER TO STRUCTURAL DRAWINGS.
- INSULATION BACKSLOPE TO FORM MIN 2.5% REVERSE SLOPE (±5% INSULATION SLOPE).



2 MAU ROOF CURB
1 : 10



3 ROOF DRAIN DETAIL
1 : 10



4 EXHAUST FAN CURBS
1 : 10

REFER TO MECHANICAL FOR ADDITIONAL DETAILS AND DUCT INSTALLATION.

DESIGNED BY:	PREPARED BY:	REVIEWED BY:
DLP	EV	DLP

THE CONTENT OF THIS DOCUMENT IS NOT INTENDED FOR THE USE OF, NOR IS IT INTENDED TO BE RELIED UPON BY ANY PERSON, FIRM OR CORPORATION OTHER THAN THE CLIENT AND TETRA TECH WEI Inc. (Tetra Tech). TETRA TECH WEI Inc. (Tetra Tech) DENIES ANY LIABILITY WHATSOEVER TO OTHER PARTIES FOR DAMAGES OR INJURY SUFFERED BY SUCH THIRD PARTY ARISING FROM THE USE OF THIS DOCUMENT BY THEM, WITHOUT THE EXPRESSED WRITTEN AUTHORITY OF TETRA TECH WEI Inc. (Tetra Tech) AND OUR CLIENT. THIS DOCUMENT IS SUBJECT TO FURTHER RESTRICTIONS IMPOSED BY THE CONTRACT BETWEEN THE CLIENT AND TETRA TECH WEI Inc. (Tetra Tech) AND THESE PARTIES PERMISSION MUST BE SOUGHT REGARDING THIS DOCUMENT IN ALL OTHER CIRCUMSTANCES.

CLIENT: **CITY OF WINNIPEG TRANSIT DEPARTMENT**



PROJECT NAME: **CITY OF WINNIPEG TRANSIT - FORT ROUGE GARAGE BUS MAINTENANCE ADDITION**

DRAWING DESCRIPTION: **ROOF PLAN**

DRAWING NO: 1329720500-DWG-B0002	REV: 00
-------------------------------------	------------