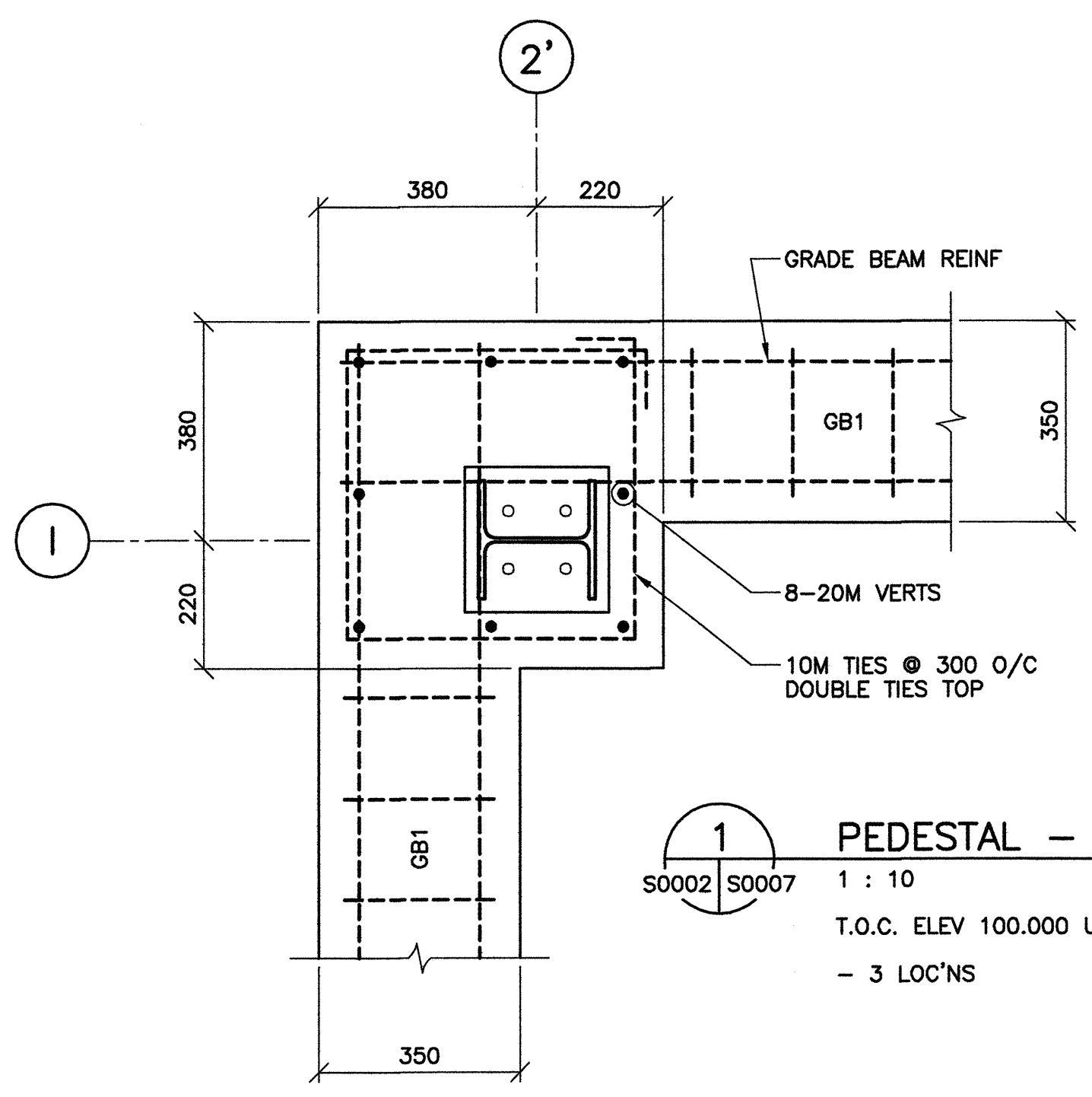
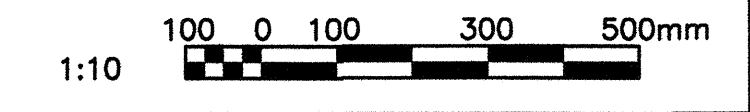
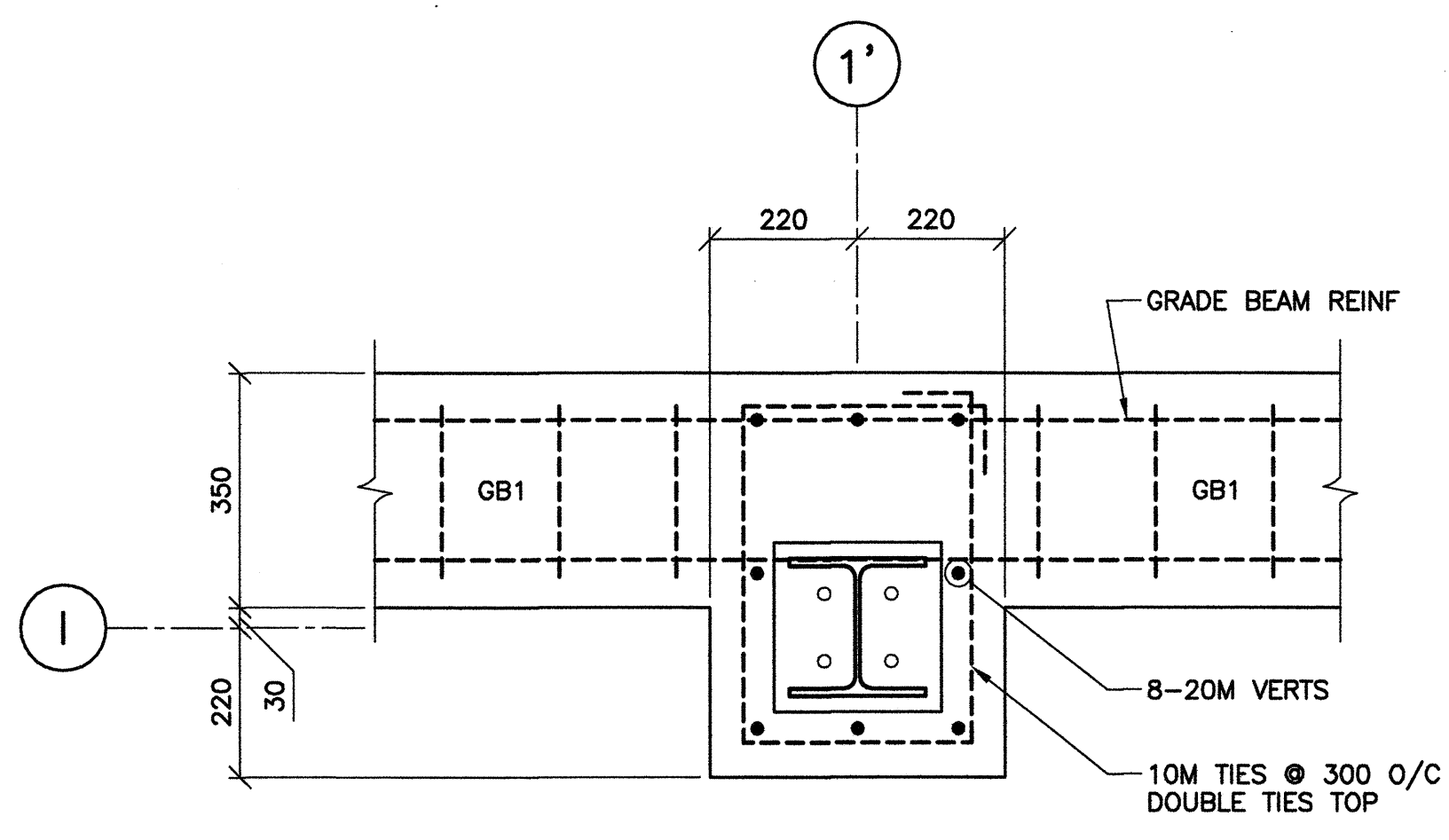


REFERENCE DRAWINGS	
NO.	DESCRIPTION

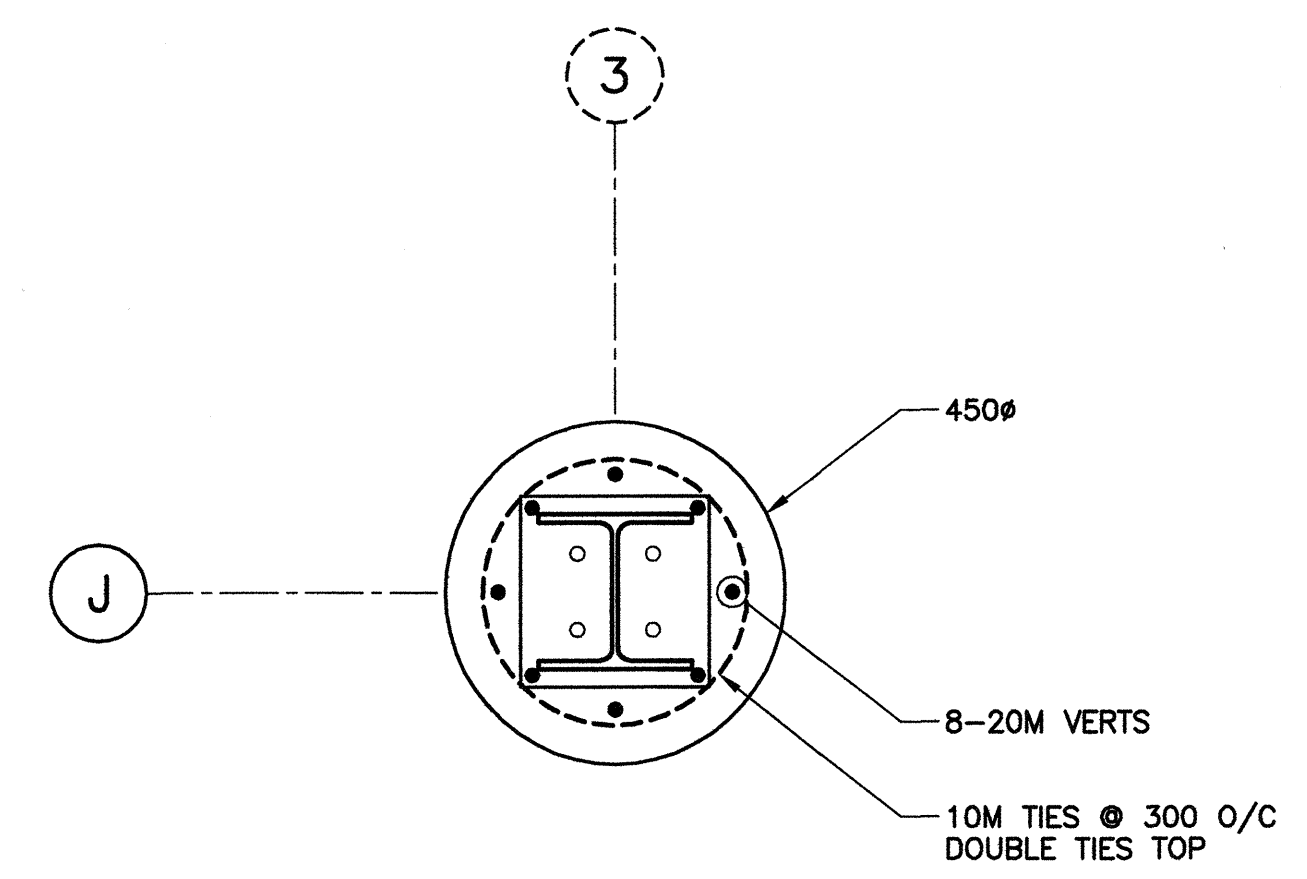
NOTES:
1. FOR GENERAL NOTES, REFER TO DRAWING S0001.



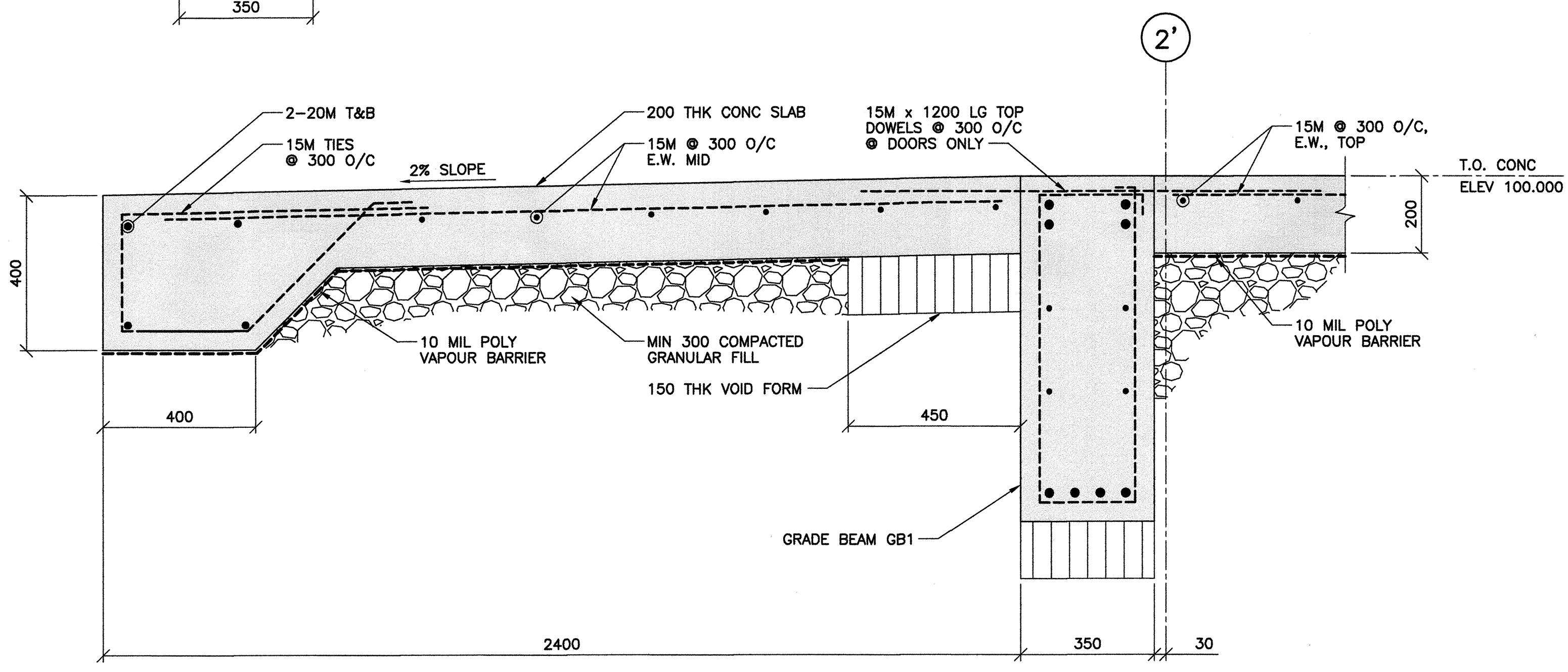
1 PEDESTAL - MK PED1 DETAIL
S0002 | S0007 1 : 10
T.O.C. ELEV 100.000 U.N.O.
- 3 LOC'NS



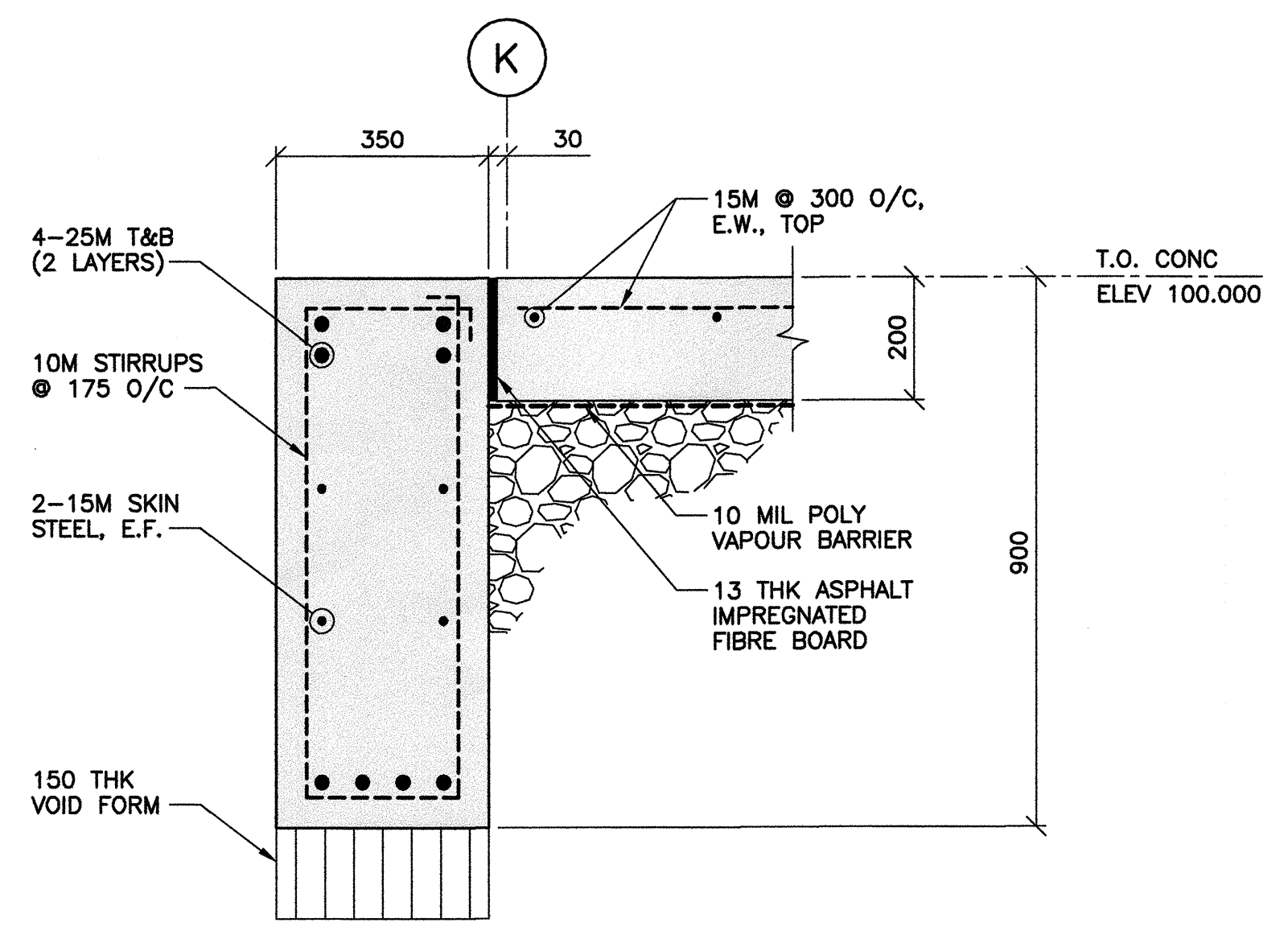
2 PEDESTAL - MK PED2 DETAIL
S0002 | S0007 1 : 10
T.O.C. ELEV 100.000 U.N.O.
- 8 LOC'NS



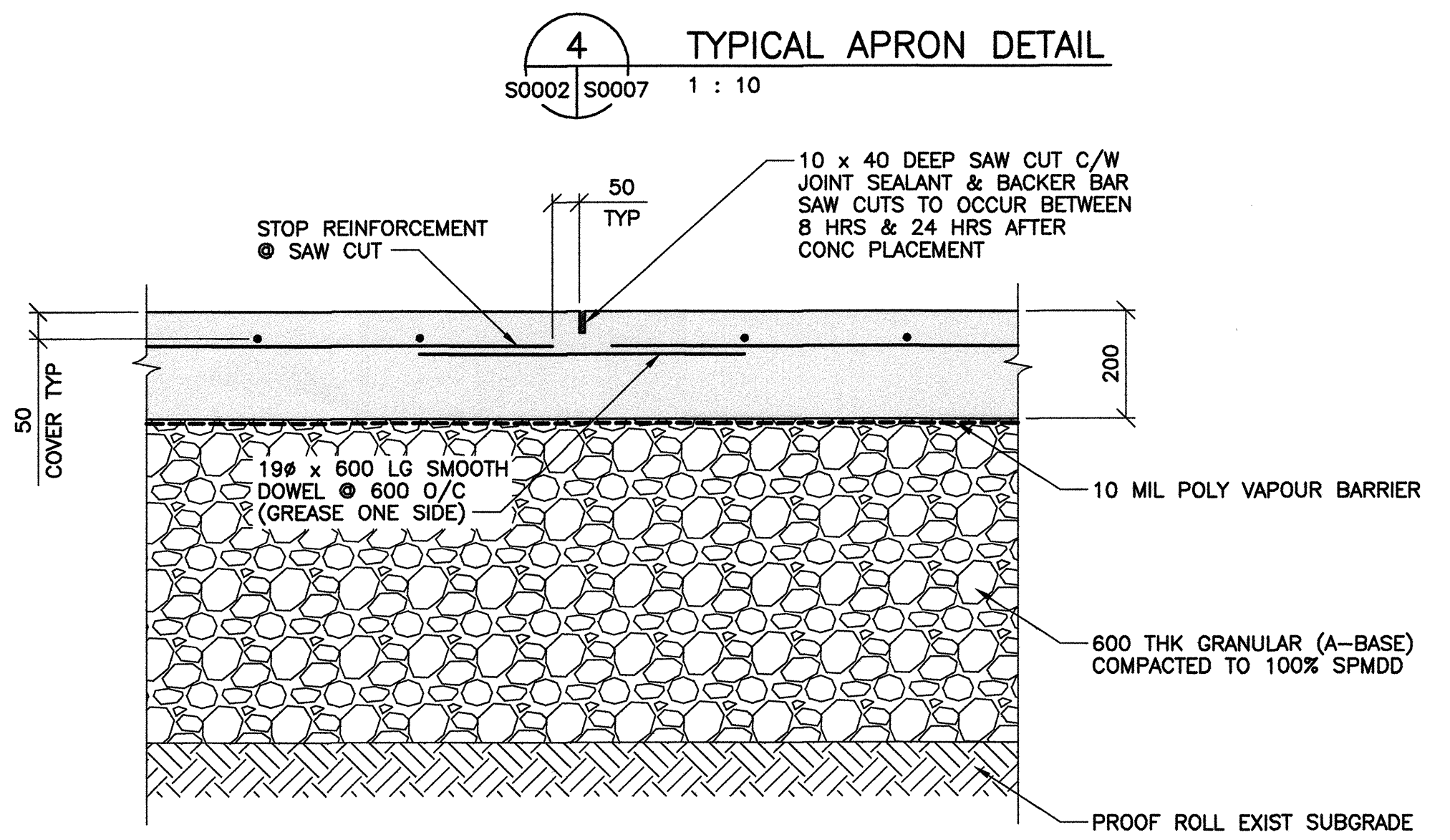
3 PEDESTAL - MK PED3 DETAIL
S0002 | S0007 1 : 10
T.O.C. ELEV 101.500 U.N.O.
- 2 LOC'NS



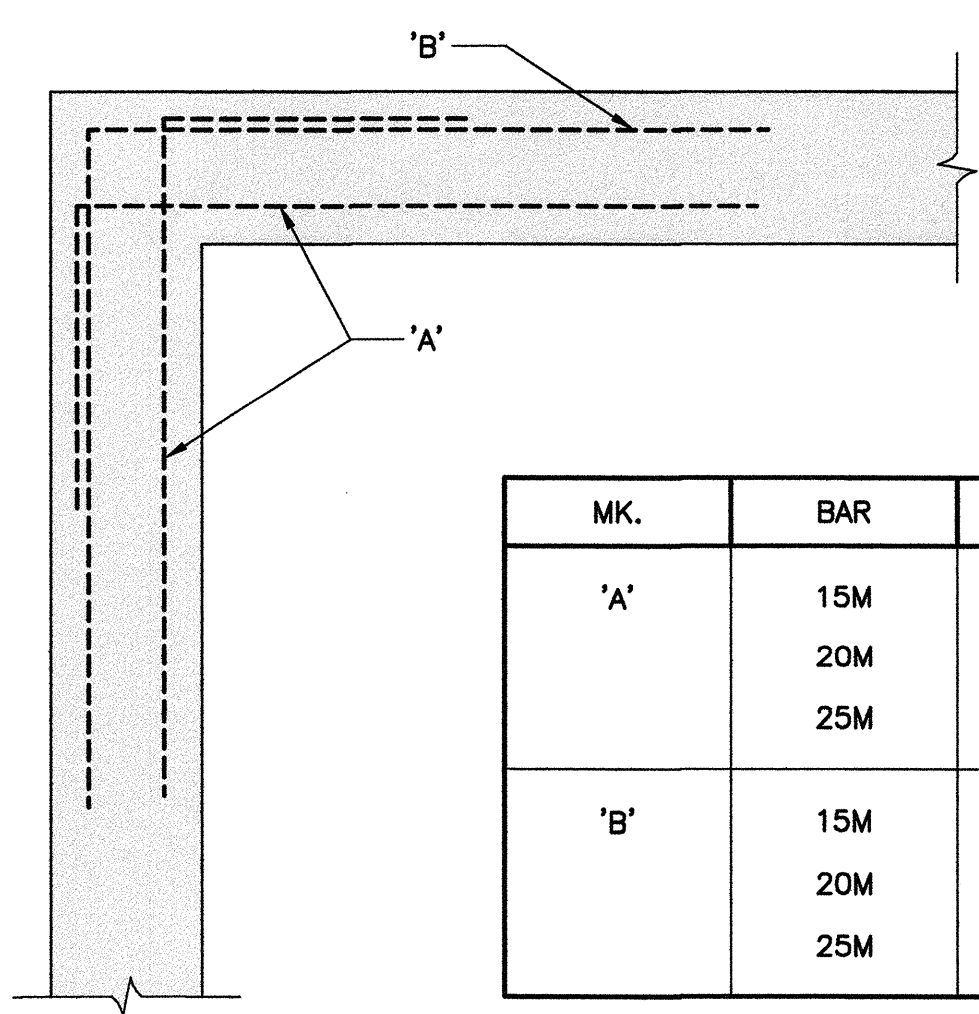
4 TYPICAL APRON DETAIL
S0002 | S0007 1 : 10



5 GRADE BEAM - MK GB1 SECTION
S0002 | S0007 1 : 10

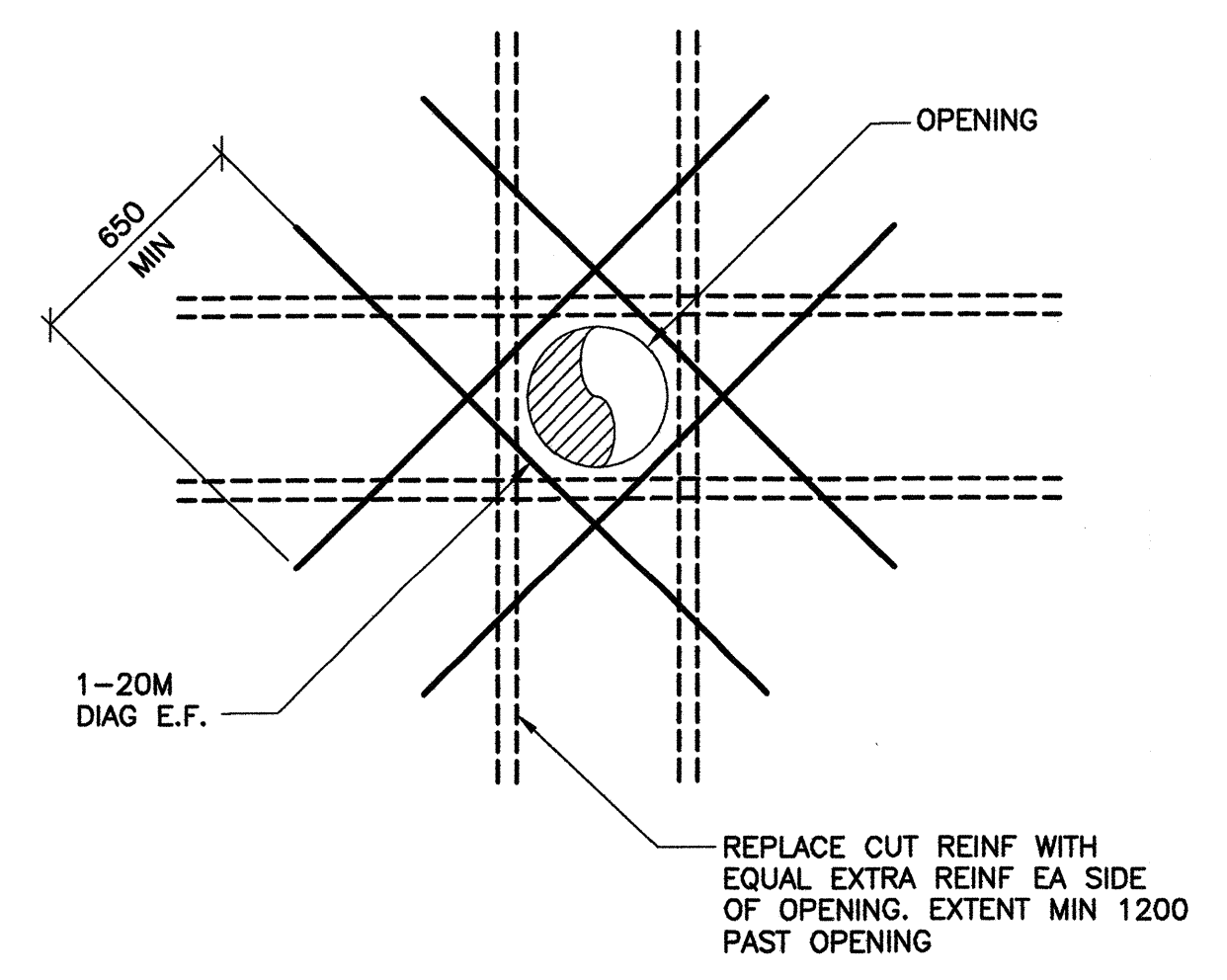


6 CONTROL JOINT DETAIL
1 : 10

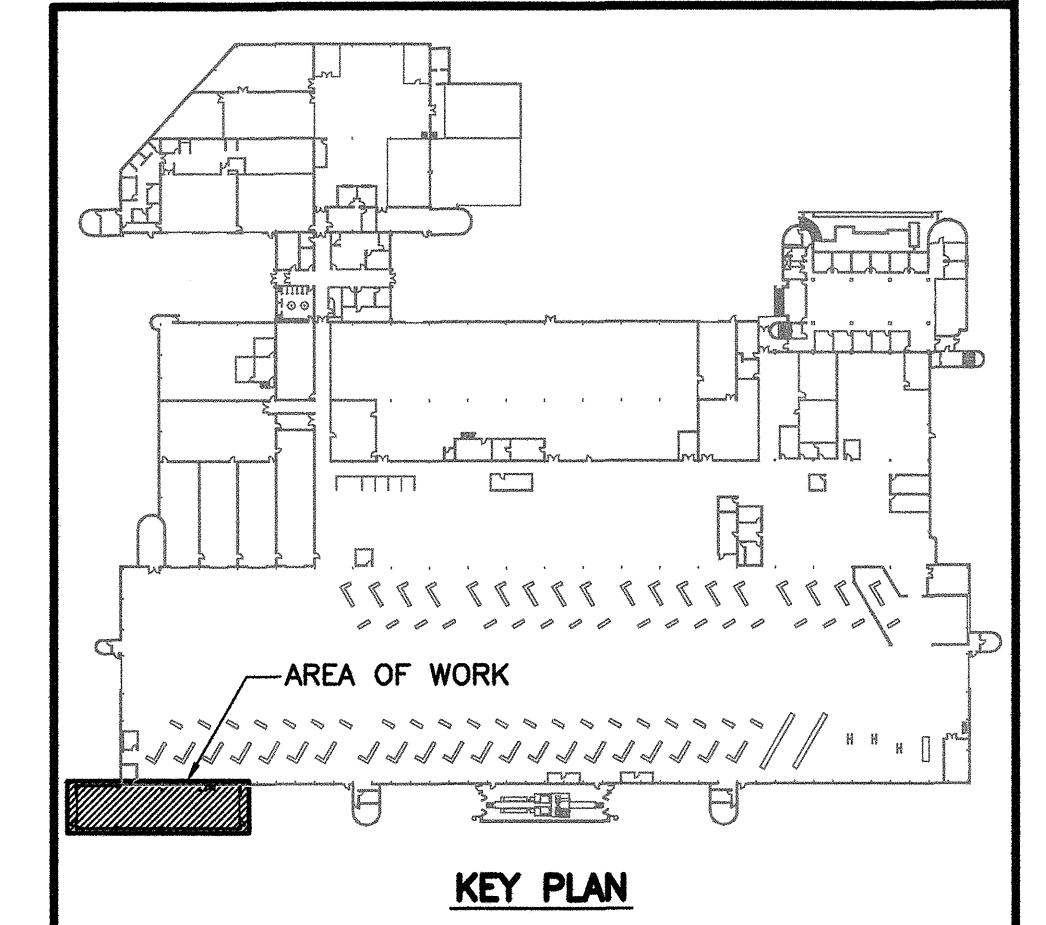


7 TYPICAL CORNER DETAIL
N.T.S.

MK.	BAR	LENGTH
'A'	15M	900 x 400
	20M	1200 x 600
	25M	2000 x 600
'B'	15M	900 x 900
	20M	1050 x 1050
	25M	1200 x 1200



8 TYPICAL OPENING DETAIL
N.T.S.



NO.	DATE	DESCRIPTION	PREPARED	REVIEW	DESIGN	AUTHORIZE
00	14.01.17	ISSUED FOR CONSTRUCTION	EV	CM	CM	[Signature]

DESIGNED BY: CM	PREPARED BY: EV	REVIEWED BY: CM
AUTHORIZED BY: [Signature]	DATE: 13.11.06	SCALE: AS NOTED

THE CONTENT OF THIS DOCUMENT IS NOT INTENDED FOR THE USE OF, NOR IS IT INTENDED TO BE RELIED UPON BY ANY PERSON, FIRM OR CORPORATION OTHER THAN THE CLIENT AND TETRA TECH WEI INC. (Tetra Tech). TETRA TECH WEI INC. (Tetra Tech) DENIES ANY LIABILITY WHATSOEVER TO OTHER PARTIES FOR DAMAGES OR INJURY SUFFERED BY SUCH THIRD PARTY ARISING FROM THE USE OF THIS DOCUMENT BY THEM, WITHOUT THE EXPRESSED WRITTEN AUTHORITY OF TETRA TECH WEI INC. (Tetra Tech) AND OUR CLIENT. THIS DOCUMENT IS SUBJECT TO FURTHER RESTRICTIONS IMPOSED BY THE CONTRACT BETWEEN THE CLIENT AND TETRA TECH WEI INC. (Tetra Tech) AND THESE PARTIES. PERMISSION MUST BE SOUGHT REGARDING THIS DOCUMENT IN ALL OTHER CIRCUMSTANCES.

CLIENT: CITY OF WINNIPEG TRANSIT DEPARTMENT

TETRA TECH

PROJECT NAME: CITY OF WINNIPEG TRANSIT - FORT ROUGE GARAGE BUS MAINTENANCE ADDITION

DRAWING DESCRIPTION: CONCRETE SECTIONS AND DETAILS SHEET 2

DRAWING NO. 1329720500-DWG-S0007	REV: 00
----------------------------------	---------