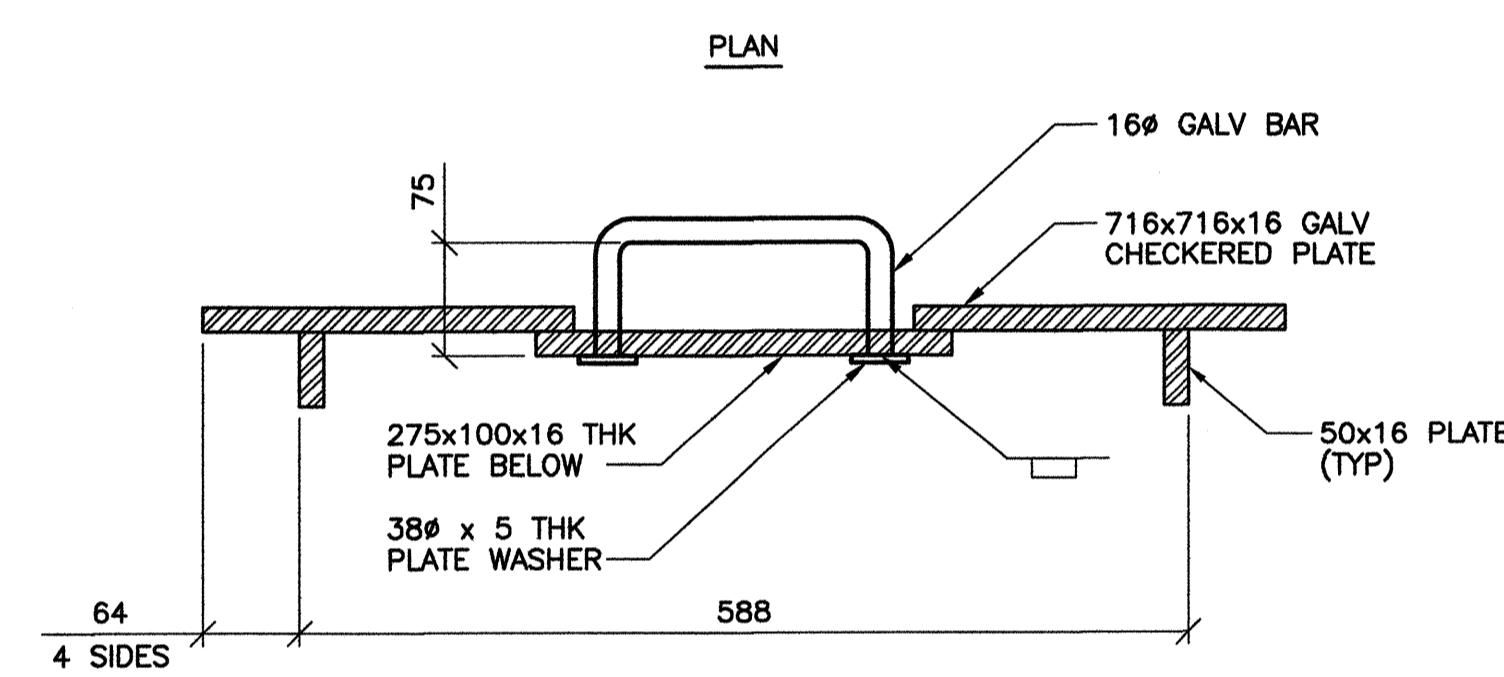
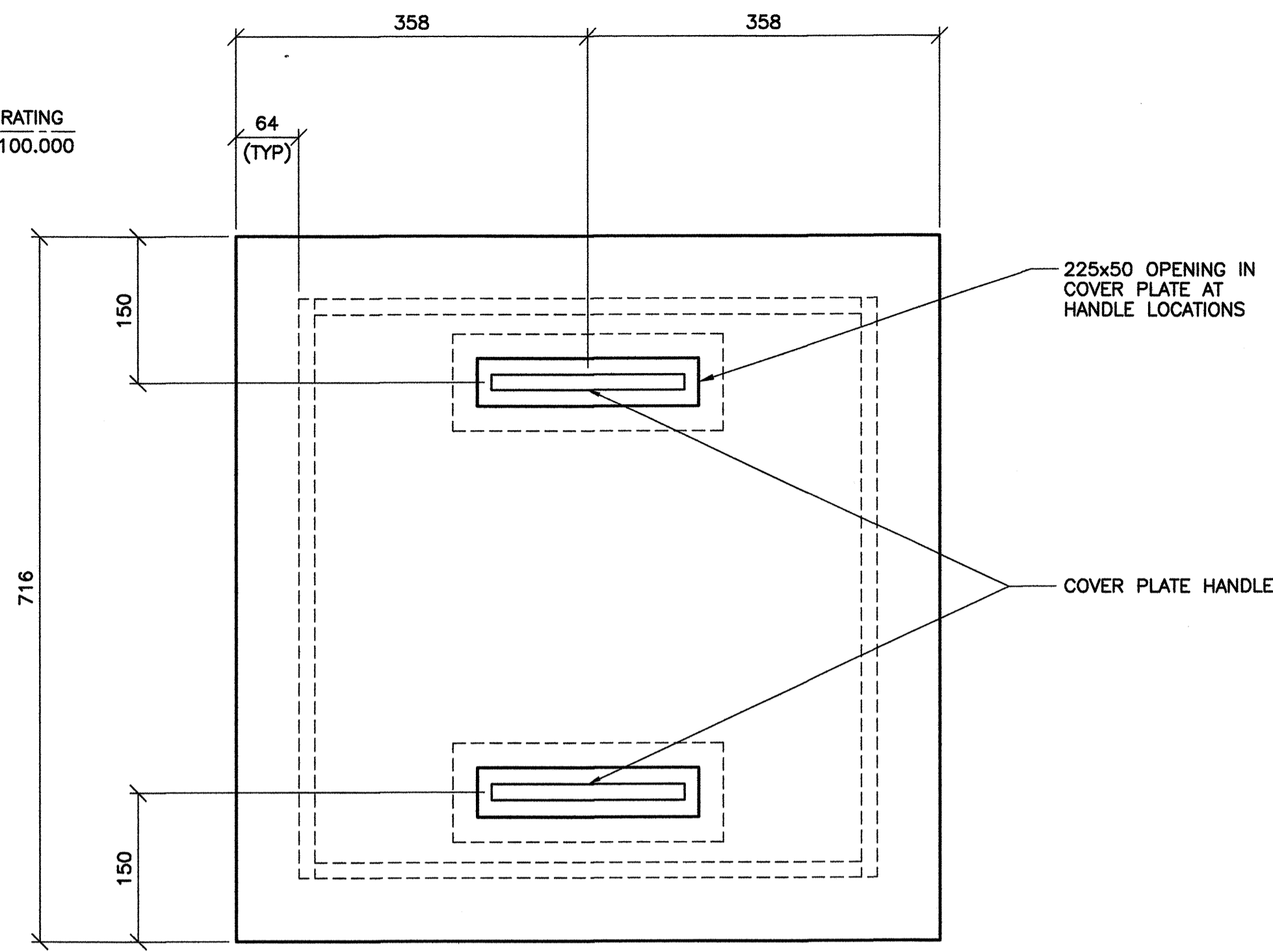
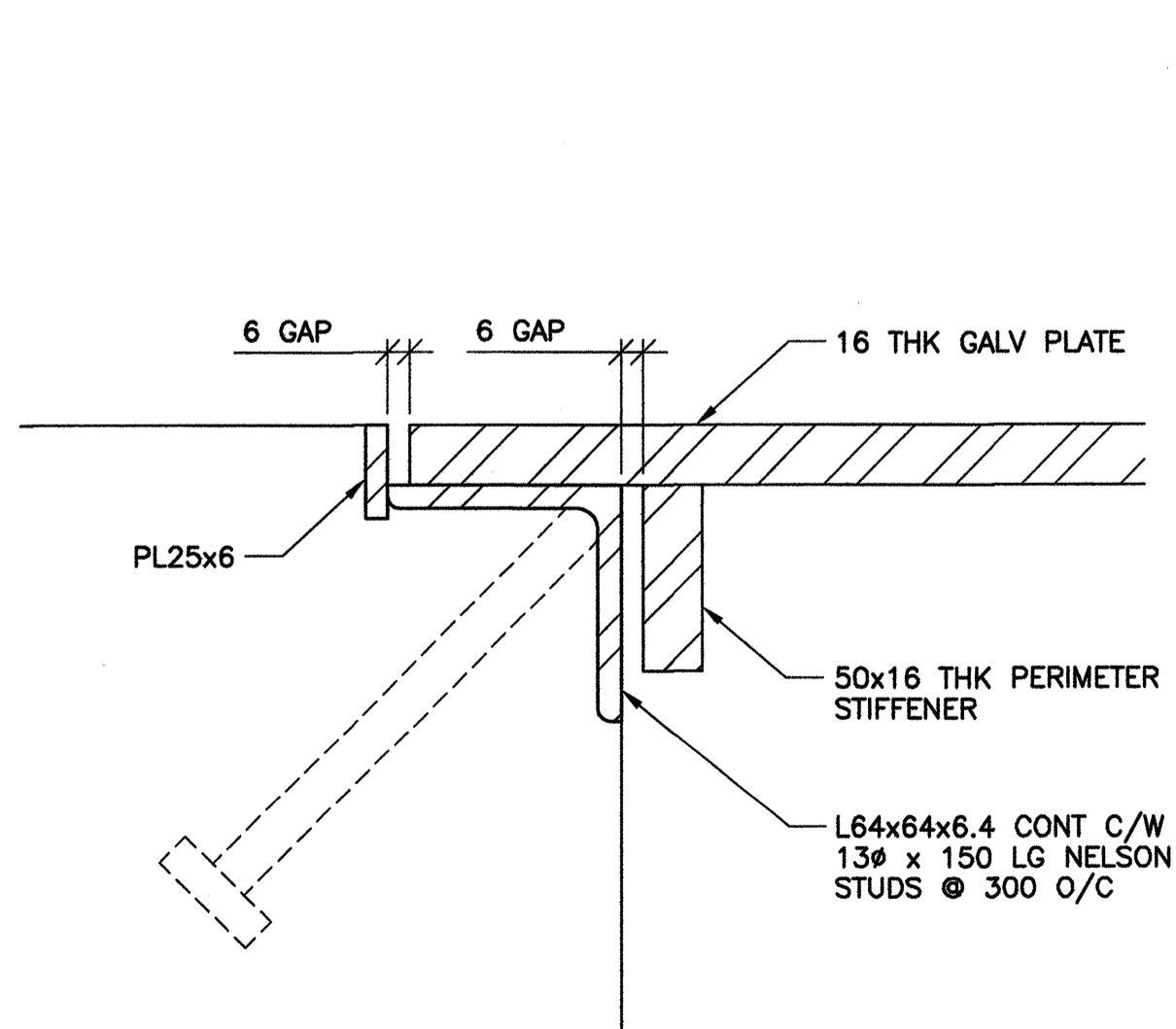


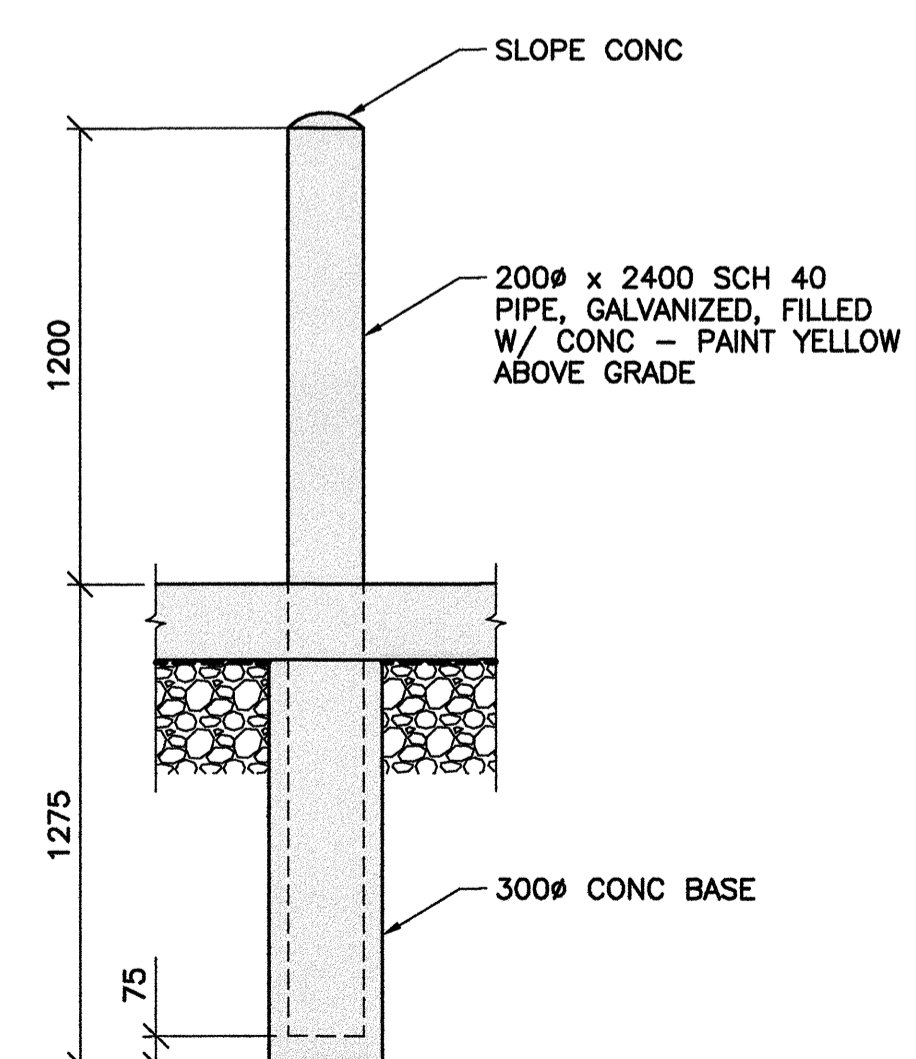
1 OIL & GRIT INTERCEPTOR
 S0002 | S0008 1 : 10
 - COORDINATE PIPING DETAILS W/ MECHANICAL



2 COVER PLATE
 1 : 5



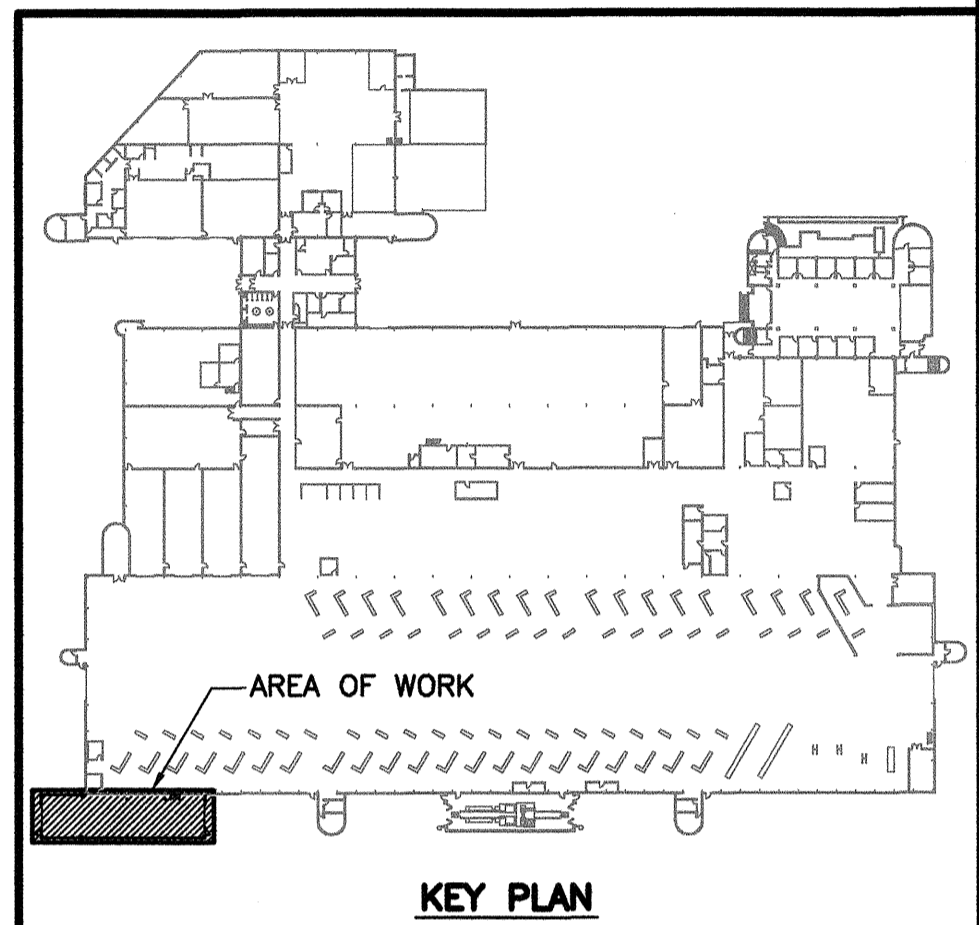
3 COVER PLATE EMBEDMENT DETAIL
 1 : 2



4 TYP BOLLARD DETAIL
 1 : 20

REFERENCE DRAWINGS	
NO.	DESCRIPTION

NOTES:
 1. FOR GENERAL NOTES, REFER TO DRAWING S0001.



NO.	DATE	DESCRIPTION	PREPARED	REVIEW	DESIGN	APPROVED
00	14.01.17	ISSUED FOR CONSTRUCTION	EV	CM	CM	CM

SEAL

PERMIT STAMP

DESIGNED BY:	PREPARED BY:	REVIEWED BY:
CM	EV	CM
AUTHORIZED BY:	DATE:	SCALE:
	13.11.06	AS NOTED

THE CONTRACT OR THIS DOCUMENT IS NOT INTENDED FOR THE USE OF, NOR IS IT INTENDED TO BE RELIED UPON BY ANY PERSON, FIRM OR CORPORATION OTHER THAN THE CLIENT AND TETRA TECH WEI INC. (Tetra Tech). TETRA TECH WEI INC. (Tetra Tech) DENIES ANY LIABILITY WHATSOEVER TO OTHER PARTIES FOR DAMAGES OR INJURY SUFFERED BY SUCH THIRD PARTY ARISING FROM THE USE OF THIS DOCUMENT BY THEM, WITHOUT THE EXPRESSED WRITTEN AUTHORITY OF TETRA TECH WEI INC. (Tetra Tech) AND OUR CLIENT. THIS DOCUMENT IS SUBJECT TO FURTHER RESTRICTIONS IMPOSED BY THE CONTRACT BETWEEN THE CLIENT AND TETRA TECH WEI INC. (Tetra Tech) AND THESE PARTIES PERMISSION MUST BE SOUGHT REGARDING THIS DOCUMENT IN ALL OTHER CIRCUMSTANCES.

SUB-CONSULTANTS:

CLIENT:

CITY OF WINNIPEG
 TRANSIT DEPARTMENT

TETRA TECH

PROJECT NAME:
 CITY OF WINNIPEG TRANSIT - FORT ROUGE GARAGE
 BUS MAINTENANCE ADDITION

DRAWING DESCRIPTION:
CONCRETE SECTIONS AND DETAILS
 SHEET 3

DRAWING NO.	REV.
1329720500-DWG-S0008	00

