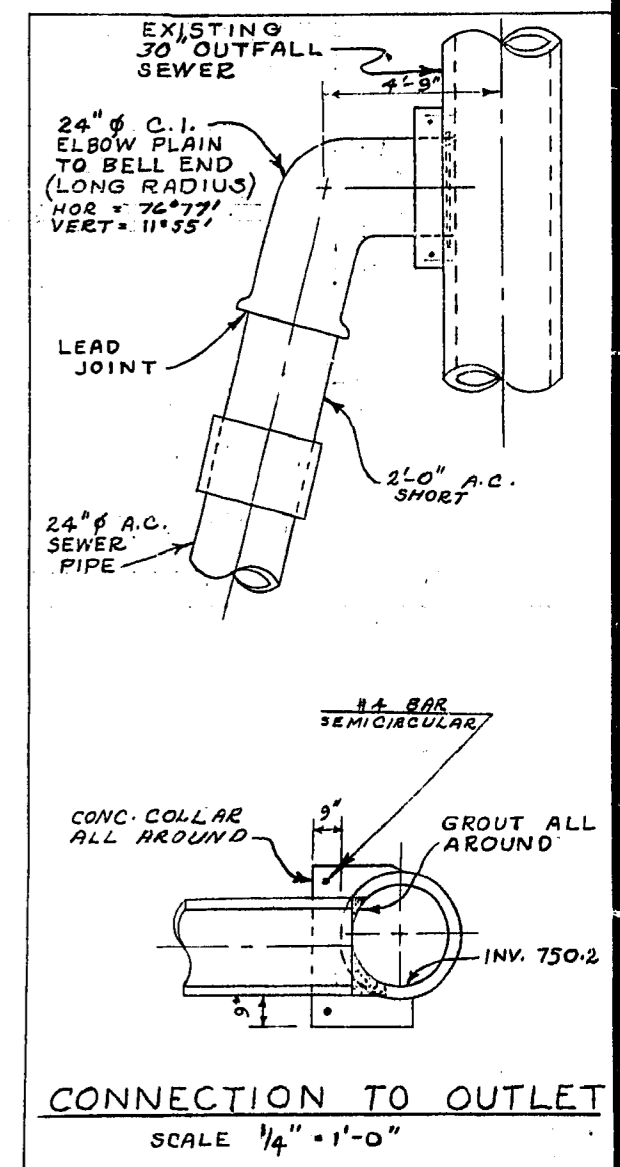
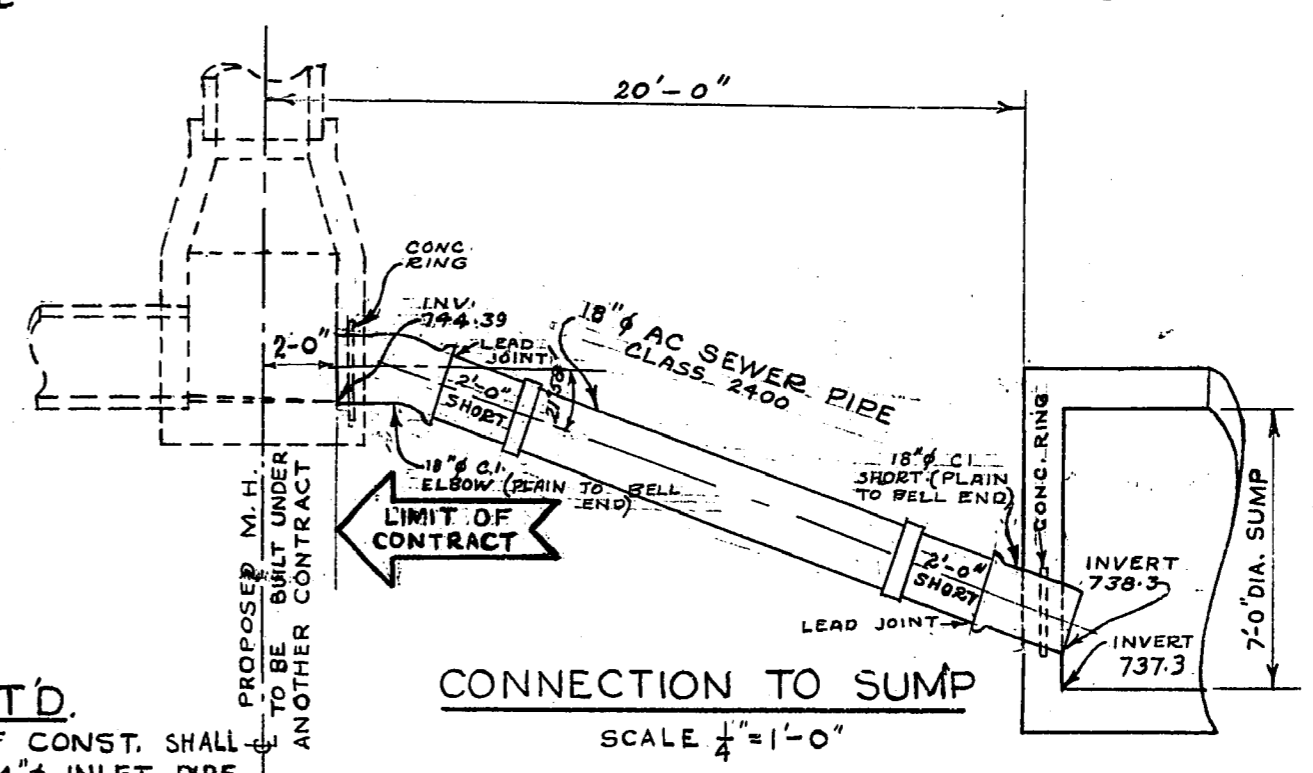


- NOTES**
- FIELD CHECK ALL ELEVATIONS & INVERTS PRIOR TO CONST.
  - HOT GALV. ALL MISC. IRON & STEEL WORK.
  - THE CONTRACTOR SHALL NOTIFY MANITOBA HYDRO 24 HOURS PRIOR TO EXCAVATION.
  - THE CONTRACTOR SHALL TAKE CARE NOT TO DISTURB OR DESTROY ANY SURVEY BARS IN THE VICINITY OF THE WORK. BARS WHICH MUST BE MOVED WILL BE RESET AT THE CONTRACTORS EXPENSE.
  - CONCRETE APPROACH & GRAVELED DRIVEWAY TO BE CONSTRUCTED TO THE SATISFACTION OF THE ENGINEER.
  - THE CONTRACTOR IS REQUIRED TO PRESERVE EXISTING TREES UNLESS SPECIFIED OTHERWISE BY THE ENGINEER.
  - LOCATE FAN DIRECTLY ABOVE OPENING FOR FRESH AIR DUCT PER PLAN ABOVE, WALL MOUNTED SIMILAR TO THAT SHOWN ON DWG. NO 401. FAN & MOTOR TO BE ALPHA # BF 1500 H @ 641 R.P.M. OR APPROVED EQUAL.
  - THE CONTRACTOR SHALL BE RESPONSIBLE TO ACQUAINT HIMSELF WITH EXISTING SURROUNDINGS PRIOR TO CONSTRUCTION & TO RESTORE SAME UPON COMPLETION OF CONTRACT.
  - THE CONTRACTOR SHALL PROVIDE A 30" PRECAST C.B. WHERE INDICATED ON SITE PLAN, TO BE SET ON A FLOOR SLAB 3'-6" SQ. X 9" THICK WITH #4 REINF. BARS @ 12" EA. WAY. PROVIDE HINGED C.I. HOOD FOR 8" OUTLET ON INSIDE OF C.B. USE STD. METRO SEWAGE DISPOSAL BRANCH MANHOLE FRAME & COVER. C.B. TO HAVE GRATED INLETS IN PRECAST BARREL. STD. M.H. STEPS @ 15" C-C. ARE TO BE USED. CONNECT TO 18" STORM SEWER IN ASSINIBOINE AVE.
  - CONTRACTOR WILL GRADE AREA SO THAT SURFACE RUN-OFF WILL DRAIN TO CATCH BASIN.

- NOTES CONT'D.**
- THE HOLE & TUNNEL METHOD OF CONST. SHALL BE USED IN INSTALLING THE 24" INLET PIPE FROM THE 30" OUTFALL SEWER TO THE NORTHERLY EDGE OF THE PAVEMENT ON ASSINIBOINE AVE.
  - THE CONTRACTOR SHALL NOTIFY THE MANITOBA TELEPHONE SYSTEMS BURIED PLANT PROTECTION SERVICE FOR EXACT LOCATION OF UNDERGROUND CABLES & DUCTS. CALL 947-7267 24 HRS. PRIOR TO EXCAVATION.
  - A SHORT LENGTH OF PIPE (4' OR LESS) SHALL BE INSTALLED ADJACENT TO ALL C.I. PIPE OR RIGID FITTINGS.
  - ALL MANHOLES CONSTRUCTED AT THIS LOCATION ARE TO HAVE SEALED COVERS. THE STANDARD METRO WASTE DISPOSAL DIVISION MH IS TO BE USED WITHOUT THE HOLES IN THE COVER.



PROVINCE OF MANITOBA REGISTERED ENGINEER  
**M. W. SLEZAK**

PROVINCE OF MANITOBA REGISTERED ENGINEER  
**G. E. BURNS**

REVISIONS				THE METROPOLITAN CORPORATION OF GREATER WINNIPEG	
NO.	DESCRIPTION	DATE	BY	WATERWORKS & WASTE DISPOSAL DIVISION SEWAGE DISPOSAL BRANCH	
1				ST. JAMES INTERCEPTOR	
2				SUPERSTRUCTURE & MISC. DETAILS	
3					
4					
5					
6					
7					
8					

APPROVED BY <i>[Signature]</i> CHIEF ENGINEER	DESIGNED BY <i>[Signature]</i> DATE MAY 63	CHECKED BY <i>[Signature]</i> DATE MAY 63	DRAWING NO. <b>403-B</b>
---	---	--	-----------------------------