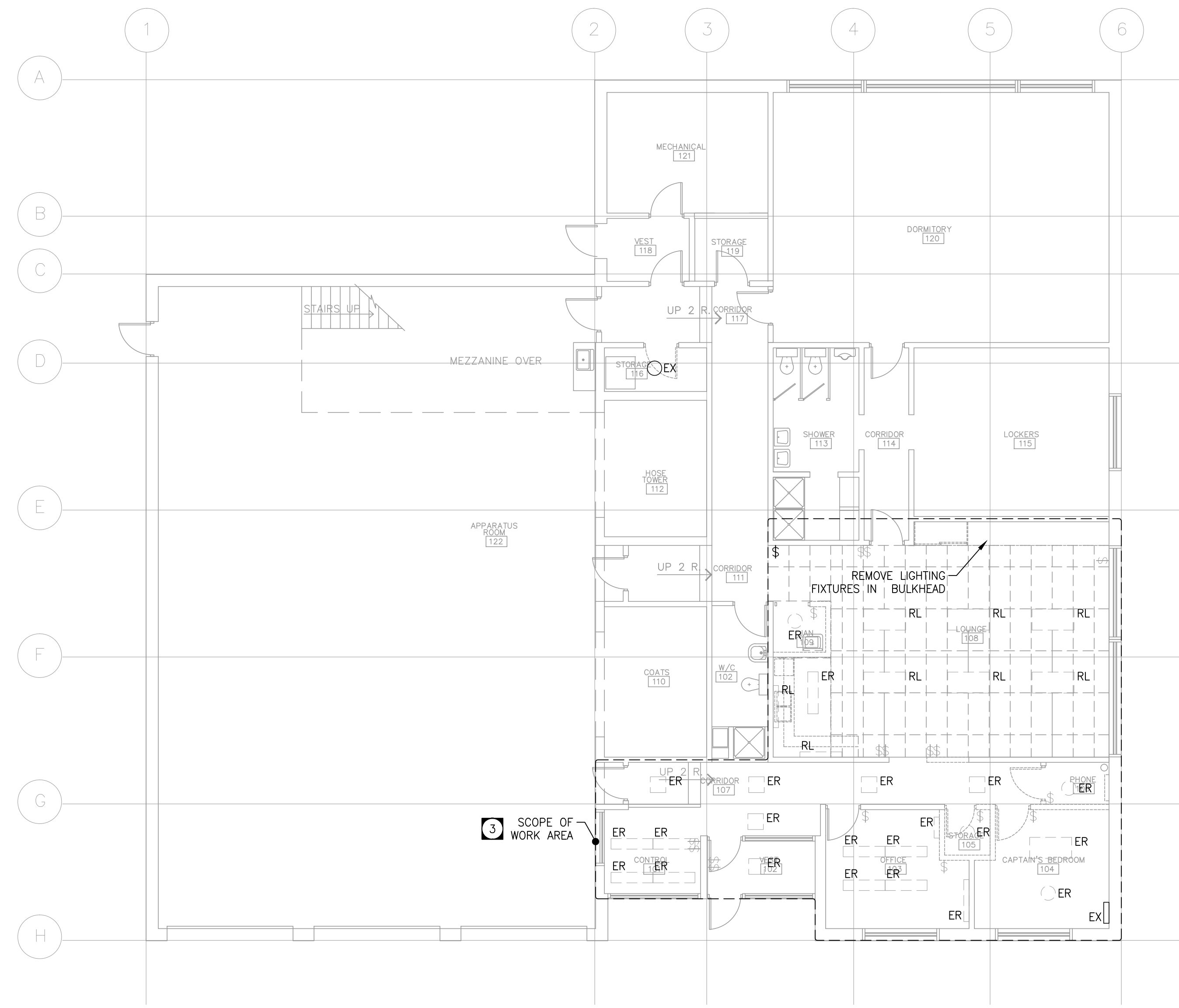


ELECTRICAL DEMOLITION PLAN - POWER & SYSTEMS
SCALE: 1/8"=1'-0"



ELECTRICAL DEMOLITION PLAN - LIGHTING
SCALE: 1/8"=1'-0"

LEGEND	
⌘	2'x4' FLUORESCENT LIGHT (C DENOTES TYPE)
⌘ ³	SINGLE POLE SWITCH (3 DENOTE 3 WAY SWITCH)
⌘	DUPLEX RECEPTACLE
⌘	DUPLEX RECEPTACLE - ABOVE COUNTER (GFCI)
⌘	120/208 VOLT RECEPTACLE
⌘	POWER PANELBOARD - SURFACE MOUNT
⌘	CABLE-TV-OUTLET
⌘	PUBLIC ADDRESS SYSTEM SPEAKER
⌘	SMOKE DETECTOR (ADDRESSABLE)
ER	EXISTING TO BE REMOVED
EX	EXISTING TO REMAIN

TOWER PROJECT NUMBER: 12431
TOWER ENGINEERING GROUP
 1-1140 WAVERLEY STREET WINNIPEG, MB R3T 0P4
 TEL: 204-925-1150 FAX: 204-925-1155
 towereng@towereng.ca www.towereng.ca
 • WINNIPEG • CALGARY • CAMBRIDGE

NO.	DATE	DESCRIPTION	BY
4	NOVEMBER 27, 2015	ISSUED FOR REVIEW	MM
3	FEBRUARY 18, 2015	ISSUED FOR REVIEW	MM
2	APRIL 9, 2013	ISSUED FOR REVIEW	MM
1	APRIL 3, 2013	ISSUED FOR REVIEW	MM

DRAWN BY
PRINTING DATE
 Drawings and specifications, as instruments of service are the property of the city, the copyright in the same being reserved to them. No reproduction may be made without the permission of the city, and all prints to be returned.
 The contractor is to verify dimensions and data noted herein with conditions on the site and is held responsible for reporting any discrepancy to the designer for adjustment.

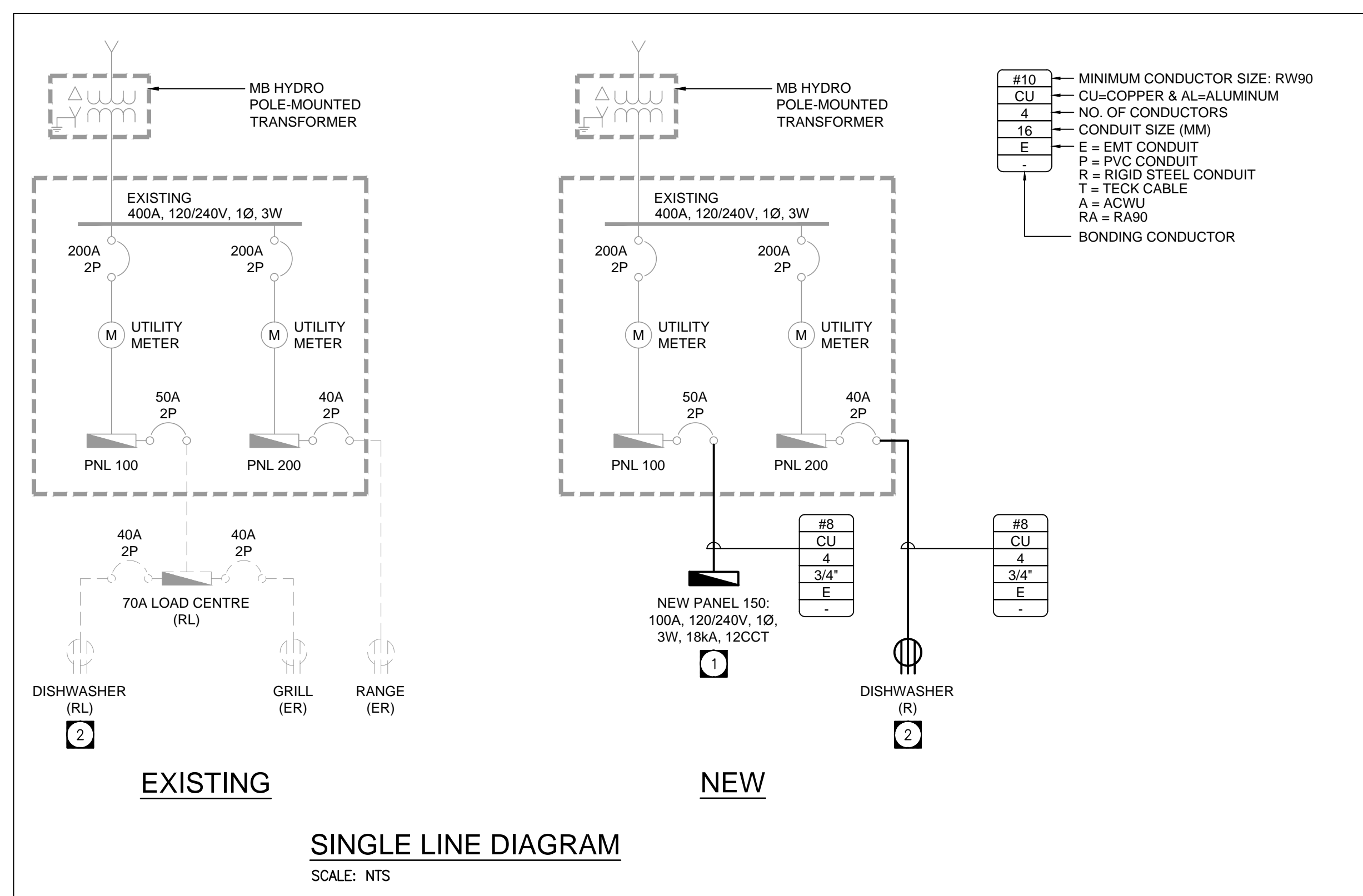


SYNERGY INTERIOR DESIGN INC
 13 Rosewarne, Avenue WINNIPEG, MB Canada R2M 0V8
 204 233 9159
 malvine@synergyinteriors.com

DATE MARCH 2013 **SCALE** AS NOTED **REVISIONS** 0
DRAWN BY JD **CHECKED BY** MM

STATION 10, 1354 BORDER ST. WINNIPEG, MB.
 CITY OF WINNIPEG

AUTOCAD NUMBER **DWG.** E1.0



SINGLE LINE DIAGRAM
SCALE: NTS

- DRAWING NOTES:**
- 1 PROVIDE NEW PANEL. FEED PANEL FROM EXISTING 50A-2P BREAKER IN PANEL 100.
 - 2 RELOCATE DISHWASHER. PROVIDE NEW FEEDER FROM PANEL 200.
 - 3 SCOPE OF WORK AREA. MAKE ALL PROVISIONS TO DEMOLISH EXISTING AND PROVIDE NEW AS NOTED.