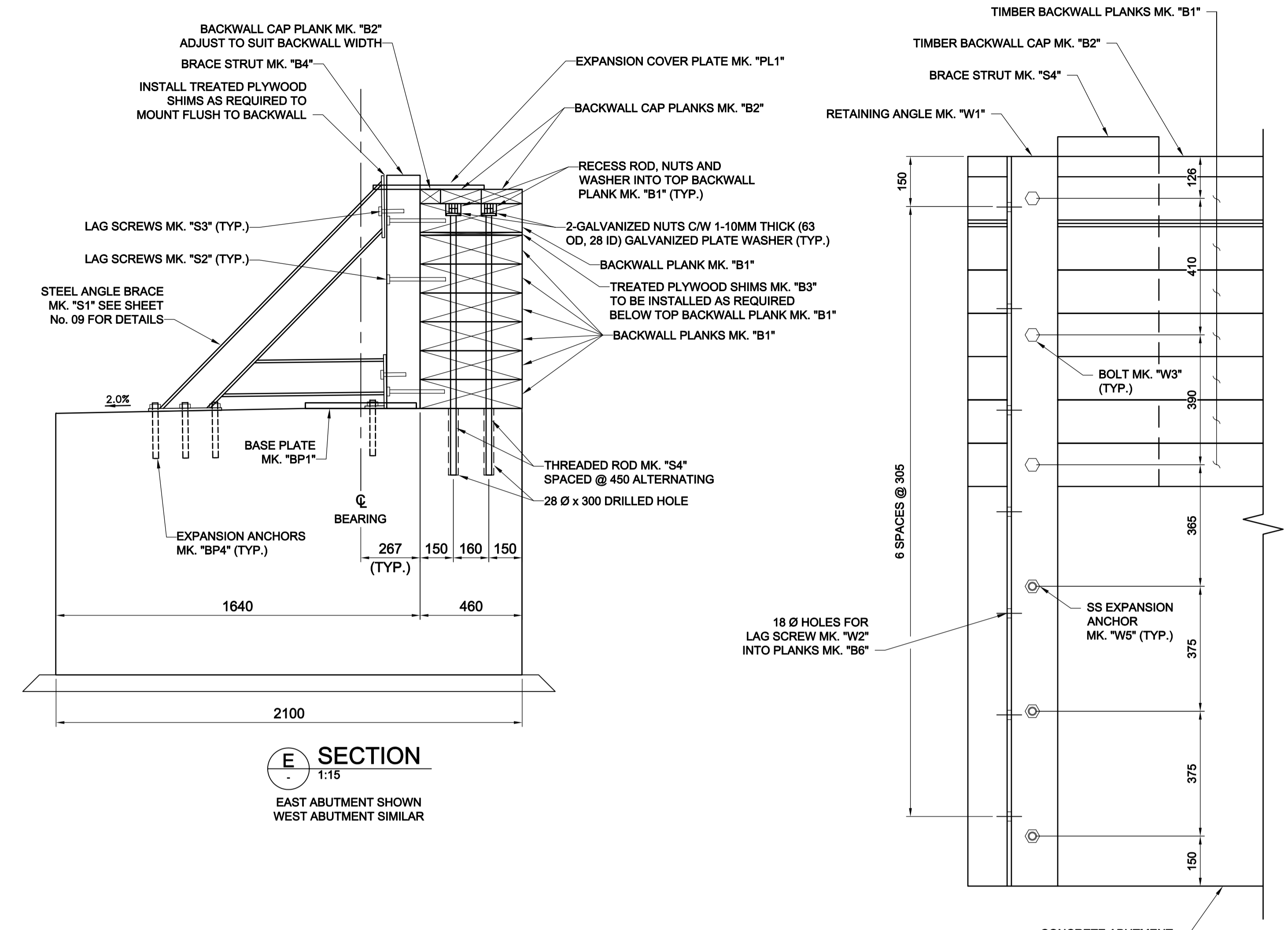
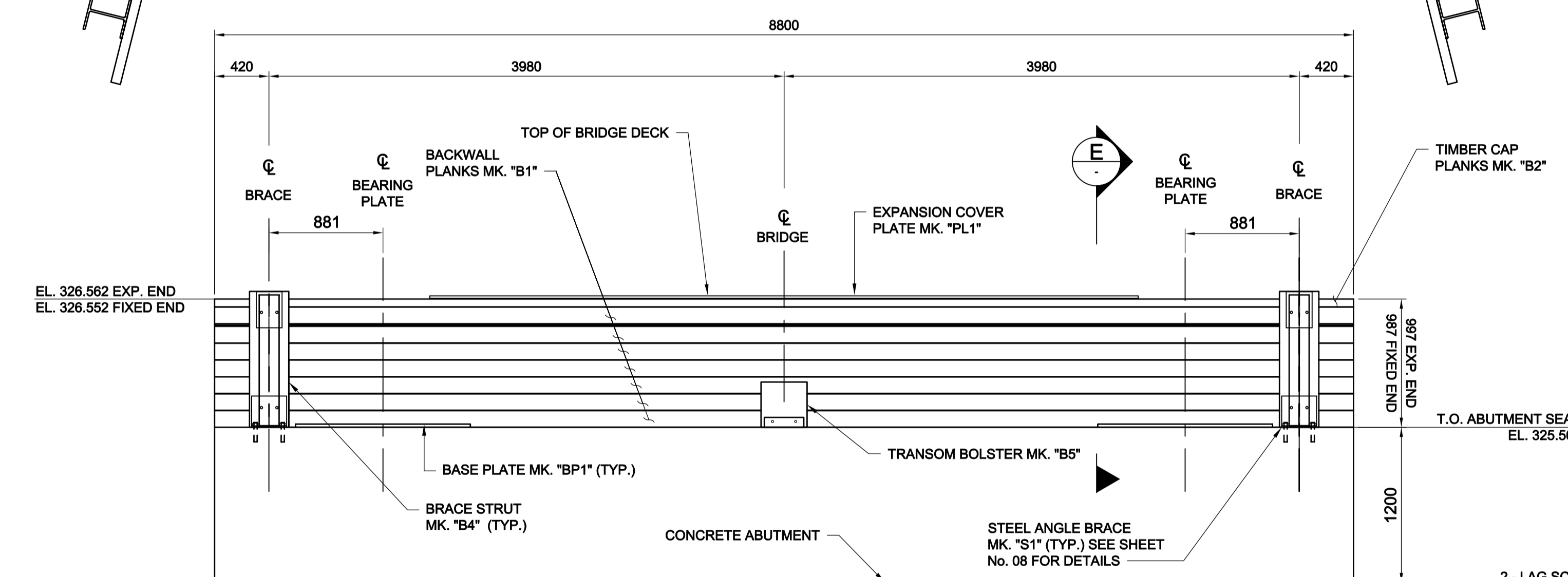


PLAN
1:30
EAST ABUTMENT SHOWN
WEST ABUTMENT SIMILAR

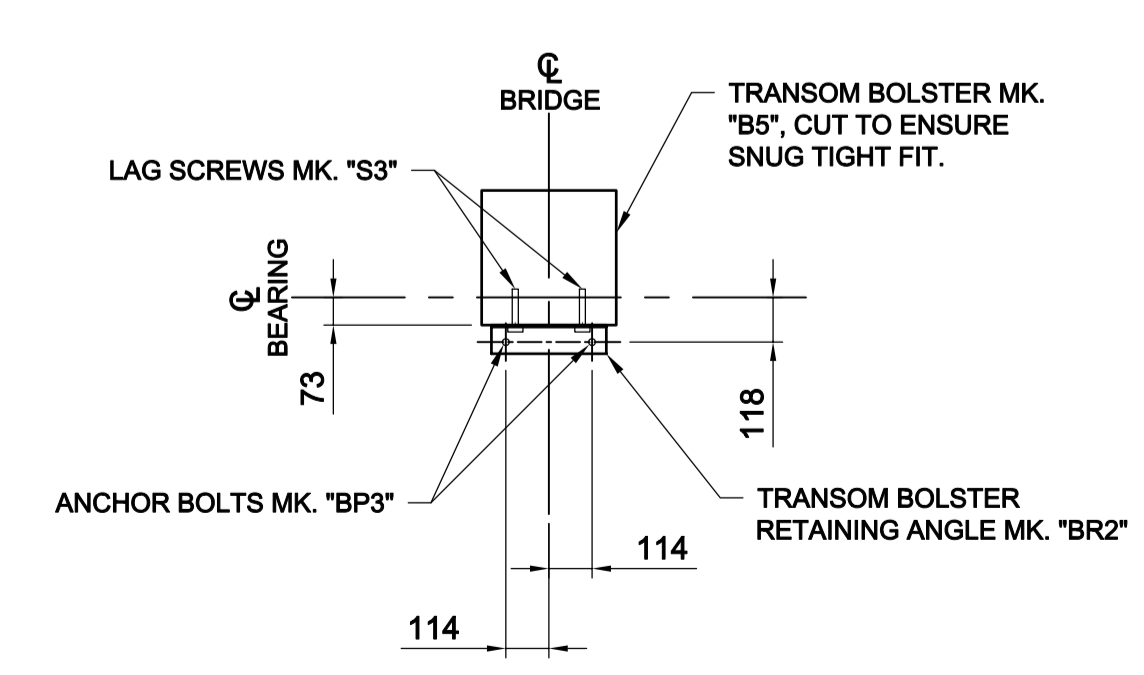


E SECTION
1:15
EAST ABUTMENT SHOWN
WEST ABUTMENT SIMILAR

F SECTION
1:10
WINGWALL PLANKS NOT
SHOWN FOR CLARITY



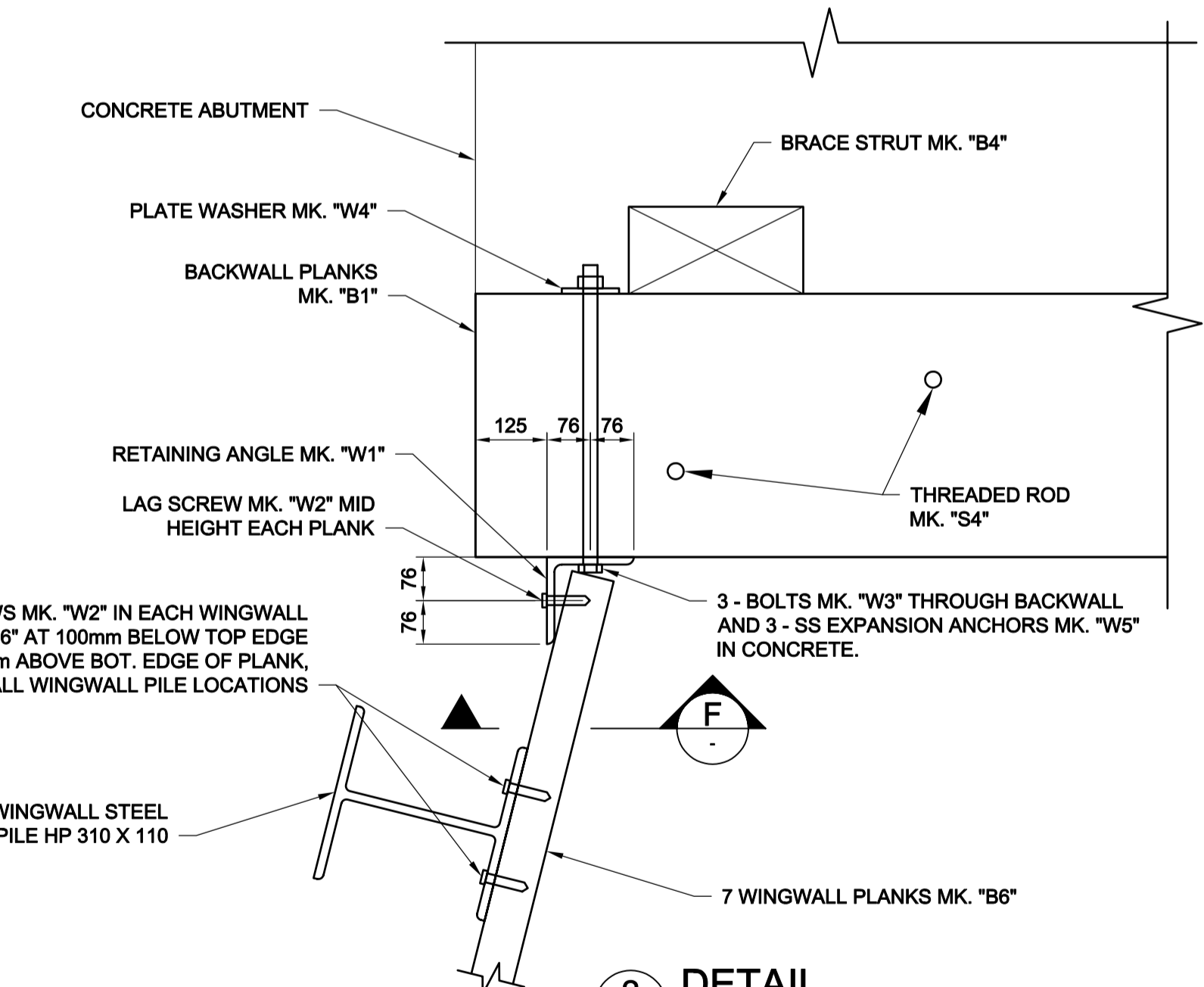
ELEVATION
1:30
EAST ABUTMENT SHOWN
WEST ABUTMENT SIMILAR



1 DETAIL
1:20

THREADED ROD INSTALLATION:

1. DRILL 28 Ø HOLE X 300 DEEP.
2. INJECT EPOXY ADHESIVE INTO HOLE AS PER MANUFACTURER INSTRUCTIONS.
3. INSERT 25 Ø THREADED ROD.
4. TRIM THREADED ROD AS NEEDED AFTER INSTALLATION OF PLATE WASHER AND NUTS.
5. TOUCH UP WITH FIELD-APPLIED GALVANIZING.



2 DETAIL
1:10

NOTES:

1. ANY TIMBER THAT HAS BEEN CUT SHALL RECEIVE TOUCH UP TIMBER TREATMENT. CONTRACTOR SHALL SUBMIT INTENDED PRODUCT FOR TOUCH UP TIMBER TREATMENT FOR REVIEW AND APPROVAL.
2. BACKWALL TIMBER THICKNESS SHOWN AT 130 WITH 1 PLYWOOD SHIM MK. "B3" AT EAST ABUT AND 2 PLYWOOD SHIMS MK. "B3" AT WEST ABUTMENT. DUE TO VARIABILITY OF BACKWALL TIMBERS, EXACT HEIGHT SHALL BE FIELD VERIFIED AND ADDITIONAL THICKER AND/OR THINNER PLYWOOD SHIMS INSTALLED TO ACHIEVE OVERALL BACKWALL HEIGHT.
3. THREADED ROD SHALL BE ASTM A193 GRADE B7.
4. NUTS FOR BACKWALL TIMBERS SHALL BE INSTALLED SNUG TIGHT.
5. CONTRACTOR TO SUBMIT INTENDED PRODUCT FOR FIELD-APPLIED GALVANIZING WHERE GALVANIZING HAS BEEN REMOVED OR DAMAGED.
6. STEEL ANGLE BRACE TO BE INSTALLED PRIOR TO BACKFILLING OPERATIONS.
7. ANCHOR DOWELS, TIMBER BACKWALL & BRACES TO BE PLACED AFTER BRIDGE IS LAUNCHED AND JACKED INTO POSITION.
8. FOR "BILL OF TIMBER FOR EAST AND WEST ABUTMENTS, DECK AND GUARDRAILS" AND "BILL OF MISCELLANEOUS METAL FOR EAST AND WEST ABUTMENT, DECK AND GUARDRAILS" SEE SHEET No. 10.

METRIC

WHOLE NUMBERS INDICATE MILLIMETRES
DECIMALIZED NUMBERS INDICATE METRES

B.M. ELEV.		DESIGNED BY GCL		ENGINEER'S SEAL 	ENGINEER'S SEAL 		BRIDGE OVER THE FALCON RIVER DIVERSION & ASSOCIATED ROADWORKS	CITY DRAWING NUMBER ----
		DRAWN BY JLD		CONSULTANT PROJECT NUMBER 13-8363			BRIDGE OVER THE FALCON RIVER DIVERSION & ASSOCIATED ROADWORKS	SHEET 07 OF 13
		CHECKED BY MBL		RELEASED FOR CONSTRUCTION			BACKWALL DETAILS	CONSULTANT DRAWING NUMBER
		APPROVED BY MBL		DATE 2014/12/17			BACKWALL DETAILS	
0 ISSUED FOR TENDER		14/12/17	GCL	DATE				
NO. REVISIONS		DATE	BY	DATE				

G:\CAD\138363\11-Structural\01-Contract\138363-09_BACKWALL_DETAILS.dwg