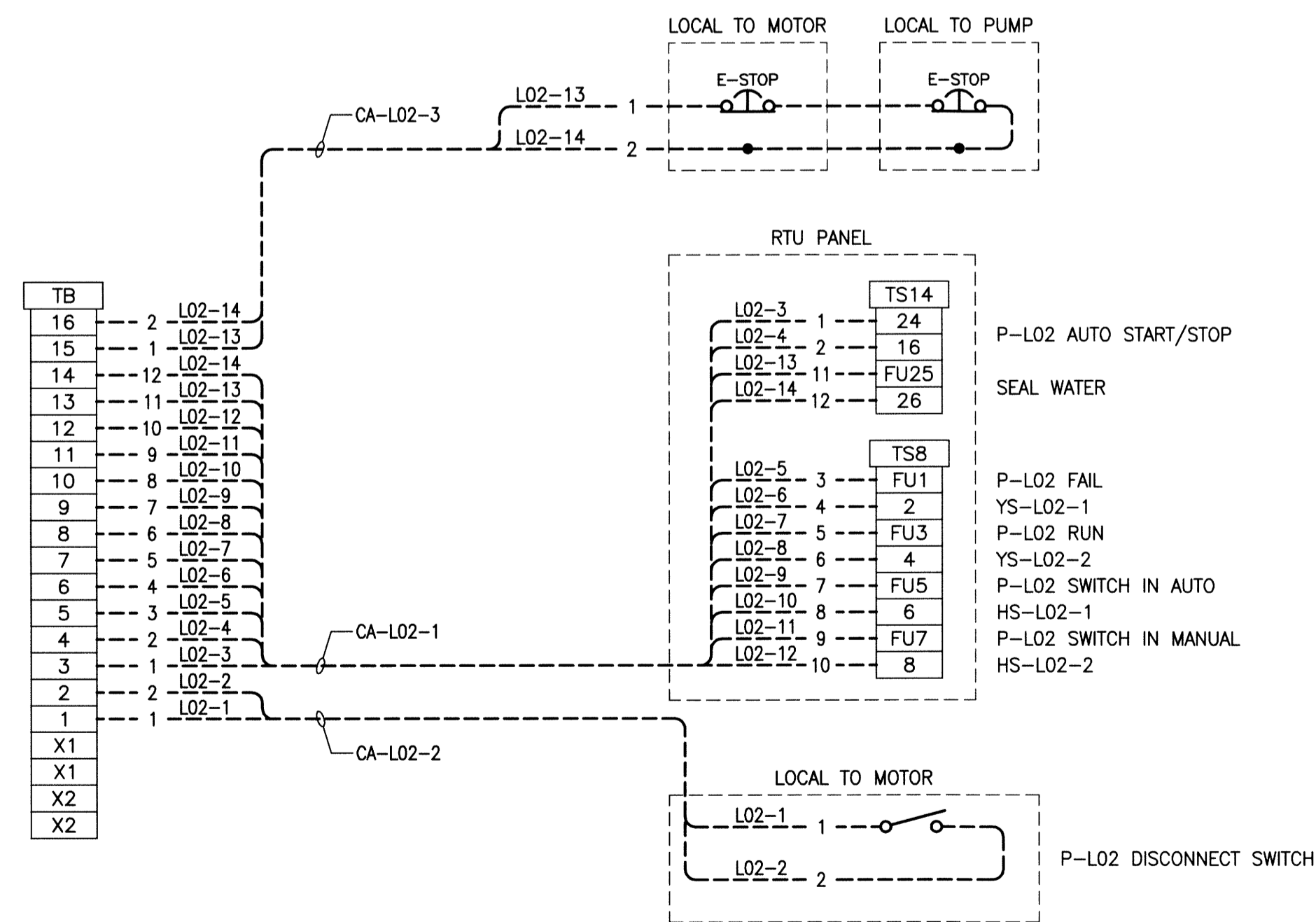


1 P-L02 STARTER SCHEMATIC
SCALE: N.T.S.

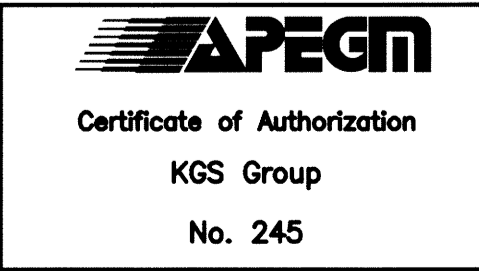


2 P-L02 INTERCONNECTION DIAGRAM
SCALE: N.T.S.

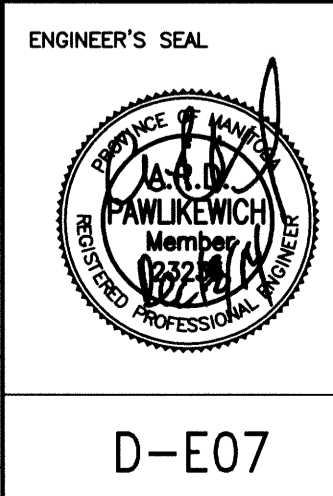
- NOTES:**
- AUXILIARY CONTACT ON DISCONNECT SWITCH SHALL BREAK BEFORE DISCONNECT OPENS AND MAKE AFTER DISCONNECT CLOSES.
 - LOCATE EMERGENCY STOP PUSHBUTTONS SO THAT THEY ARE CLEARLY ASSOCIATED WITH THEIR RESPECTIVE EQUIPMENT.
 - EMERGENCY STOP PUSHBUTTONS SHALL BE PUSH-PULL, CORROSION RESISTANT, ALLEN BRADLEY 800H-FPX6D4.

- LEGEND:**
- PANEL WIRING
 - FIELD WIRING
 - STARTER TERMINAL
 - RTU TERMINAL
 - FUSE

File Name: P:\Projects\2013\13-0107-026-D-E07.dwg - Tab: E07 Plotted By: dderoche 12/18/2014 [Thu 9:15am]



POSTED TO LBIS					
DESIGNED BY	DAL	CHECKED BY			
DRAWN BY	BGO	APPROVED BY			
HOR. SCALE	N.T.S.	RELEASED FOR CONSTRUCTION			
VERTICAL					
NO.	REVISIONS	DATE	BY	DATE	2014 10 29



THE CITY OF WINNIPEG
WATER AND WASTE DEPARTMENT

FLOOD PUMPING STATION UPGRADES
DUMOULIN STATION
ELECTRICAL
LIFT PUMP P-L02
SCHEMATIC/WIRING DIAGRAM

SHEET 1 OF 1
CITY DRAWING NUMBER
1-0139F-A0004-001

D-E07