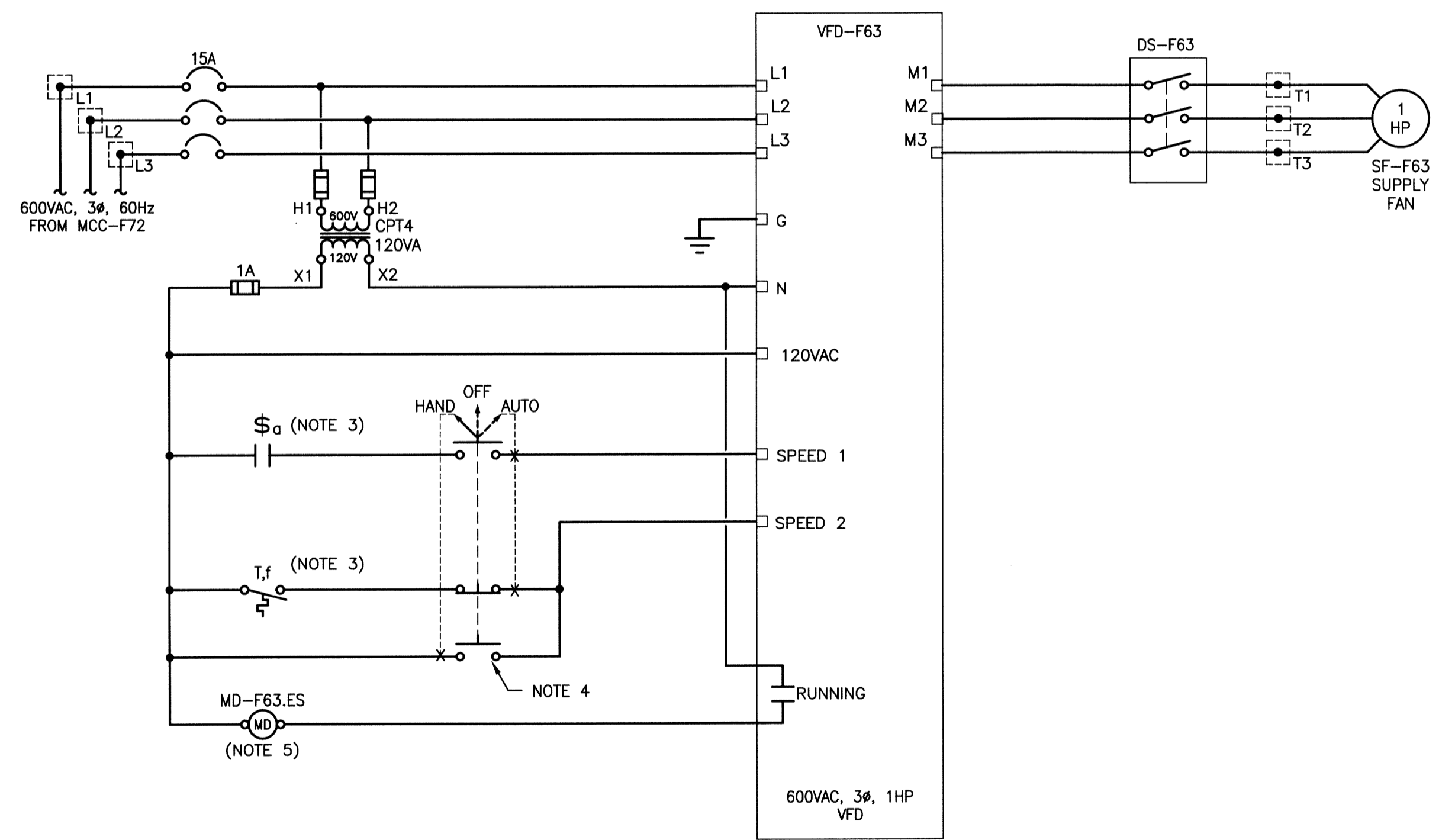


A ULTRASONIC TRANSDUCER DETAIL
SCALE: N.T.S.

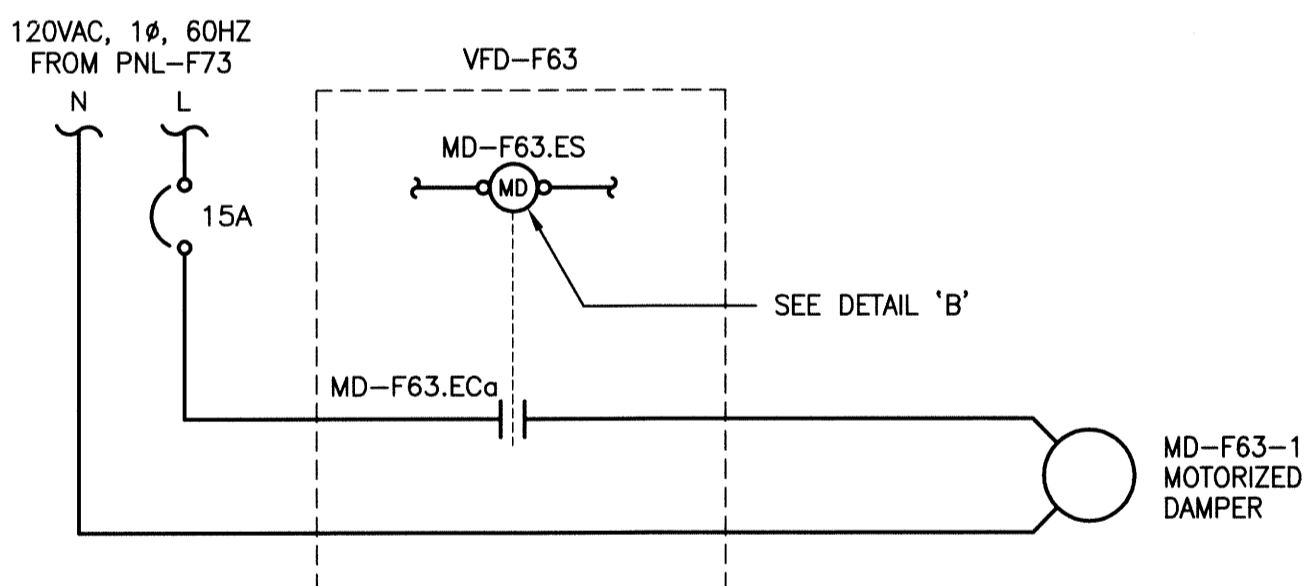
SUPPLY: 208V 3Ø 4W MAINS AMPACITY: 125 INCOMING: <input checked="" type="checkbox"/> BREAKER <input type="checkbox"/> LUGS MAIN BREAKER REQUIRED: <input checked="" type="checkbox"/> YES <input type="checkbox"/> NO MAIN BREAKER AMPS: 100 BUS MATERIAL: <input checked="" type="checkbox"/> COPPER <input type="checkbox"/> ALUMINUM BUS AND BREAKER RATING: 35kA		NAME PLATE: PANEL ' PNL-F73 '	LOCATION: MAIN ELECTRICAL ROOM MOUNTING: <input checked="" type="checkbox"/> SURFACE <input type="checkbox"/> FLUSH MANUFACTURER: MODEL NO: BREAKER: <input type="checkbox"/> PLUG-IN <input checked="" type="checkbox"/> BOLT-ON SPD: <input type="checkbox"/> YES <input checked="" type="checkbox"/> NO SERVICE ENTRANCE RATED: <input type="checkbox"/> YES <input checked="" type="checkbox"/> NO								
REV/CCT	VA	P	BKR	A	B	C	BKR	P	VA	CCT	REV
1	LIGHTS (UPPER FLOOR)	-	1	15	•	•	15	1	-	LIGHTS (FLOOD PUMP ROOM)	2
3	LIGHTS (HALLWAY, COMM. CHAMBER ACCESS, SEWAGE MOTOR & PUMP ROOMS)	-	1	15	•	•	15	1	-	LIGHTS (COMMUNITOR CHAMBER)	4
5	SUMP PUMP RECEPTACLE (FLOOD PUMP ROOM)	-	1	15	•	•	15	1	-	INTERROOM PLUG (BELOW PANEL)	6
7	20 AMP RECEPTACLE	-	2	20	•	•	15	1	-	PLUG (SUMP/FLOOD)	8
9	SF-F64	-	1	15	•	•	15	1	-	OUTSIDE RECEPTACLE	10
11	RTU PANEL	-	1	15	•	•	15	1	-	SUMP PUMP RECEPTACLE (SEWAGE PUMP ROOM)	12
13	CSO TERMINATION PANEL	-	1	15	•	•	15	1	-	RECEPTACLE (COMMUNITOR CHAMBER ACCESS)	14
15	SPARE	-	1	15	•	•	15	1	-	MOTORIZED DAMPER MD-F63-1	16
17	SPARE	-	1	15	•	•	15	1	-	SPARE	18
19	SPARE	-	1	15	•	•	15	1	-	SPARE	20
21	SPARE	-	1	15	•	•	15	1	-	SPARE	22
23		-			•	•			-		24
25		-			•	•			-		26
27		-			•	•			-		28
29		-			•	•			-		30
31		-			•	•			-		32
33		-			•	•			-		34
35		-			•	•			-		36
37		-			•	•			-		38
39		-			•	•			-		40
41		-			•	•			-		42
	LOAD 'A'										
	0										
	LOAD 'B'										
	0										
	LOAD 'C'										
	0										

LUMINAIRE SCHEDULE				
TYPE	DESCRIPTION	VOLTAGE	LAMPS	APPROVED MANUFACTURERS
A	CHAIN SUSPENDED LED INDUSTRIAL LUMINAIRE c/w DIFFUSER	120V	42W LED 4000°K	LITHONIA LIGHTING: ZL2N L48 3000LM MDD MVOLT 40K 80CRI SKGY
B	CEILING MOUNTED LED LIGHT FIXTURE. WET LOCATION CERTIFIED.	120V	94W LED 4000°K	STANCO: LCQ 08 U W 049 4k

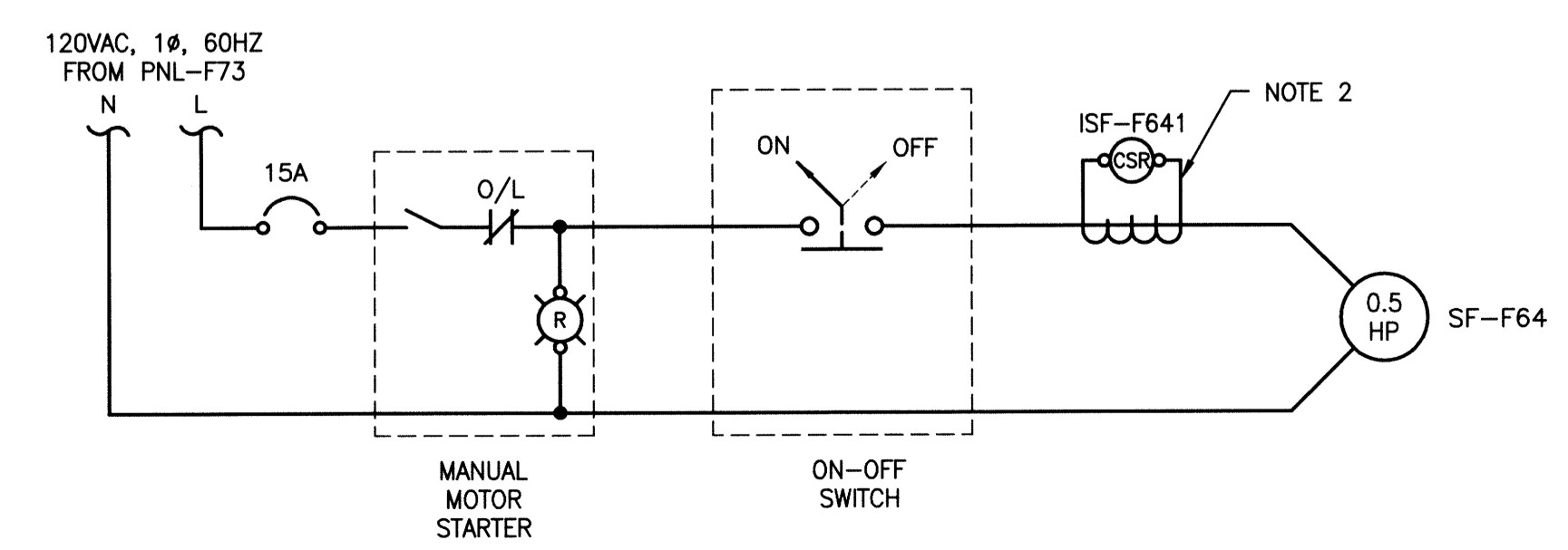
- NOTES:**
- LAMACOID LABEL LABEL SHOWS THE FINAL CABLE DIMENSION BETWEEN THE BLIND FLANGE AND THE TRANSDUCER FACE. CONTRACTOR TO MEASURE FINAL CABLE LENGTH. LAMACOID PERMANENTLY FASTENED TO THE BLIND FLANGE.
 - PROVIDE VERIS HAWKEYE 300 CURRENT SENSING RELAY OR APPROVED EQUIVALENT.
 - CONTACT S_a IS ON OCCUPANCY SENSOR CONTACT. CONTACT T_f IS A N/O THERMOSTAT CONTACT. REFER TO DRAWING 1-0139F-E0004-001 (D-E03) FOR DEVICE LOCATIONS & DETAILS.
 - HAND-OFF-AUTO SWITCH TO BE MOUNTED ON THE FRONT OF VFD-F63's BUCKET IN MCC-F72.
 - SUPPLY RELAY WITH 120VAC COIL, 1 N/O CONTACT FOR MOTORIZED DAMPERS.



B SUPPLY FAN SF-F63 CONTROL SCHEMATIC
SCALE: N.T.S.



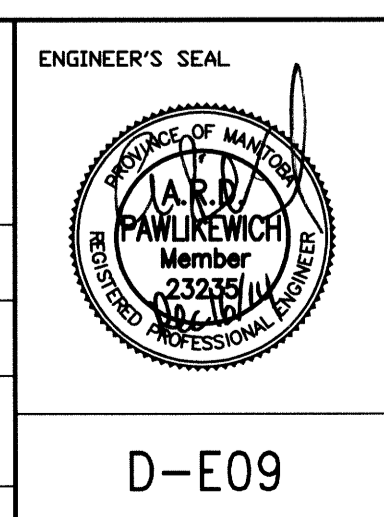
D MOTORIZED DAMPER CONTROL CIRCUITS
SCALE: N.T.S.



C SUPPLY FAN SF-F64 STARTER CIRCUIT
SCALE: N.T.S.



FIELD BOOK #	
POSTED TO LBIS	
DESIGNED BY	DDW
CHECKED BY	
DRAWN BY	GCN
APPROVED BY	
HDR. SCALE	N.T.S.
VERTICAL	N.T.S.
ISSUED FOR CONSTRUCTION	14/12/15 AP
DATE	2014 01 13
REVISIONS	



THE CITY OF WINNIPEG
WATER AND WASTE DEPARTMENT

FLOOD PUMPING STATION UPGRADES
DUMOULIN STATION
ELECTRICAL
DETAILS AND SCHEDULES

SHEET 1 OF 1
CITY DRAWING NUMBER
1-0139F-A0005-001

D-E09