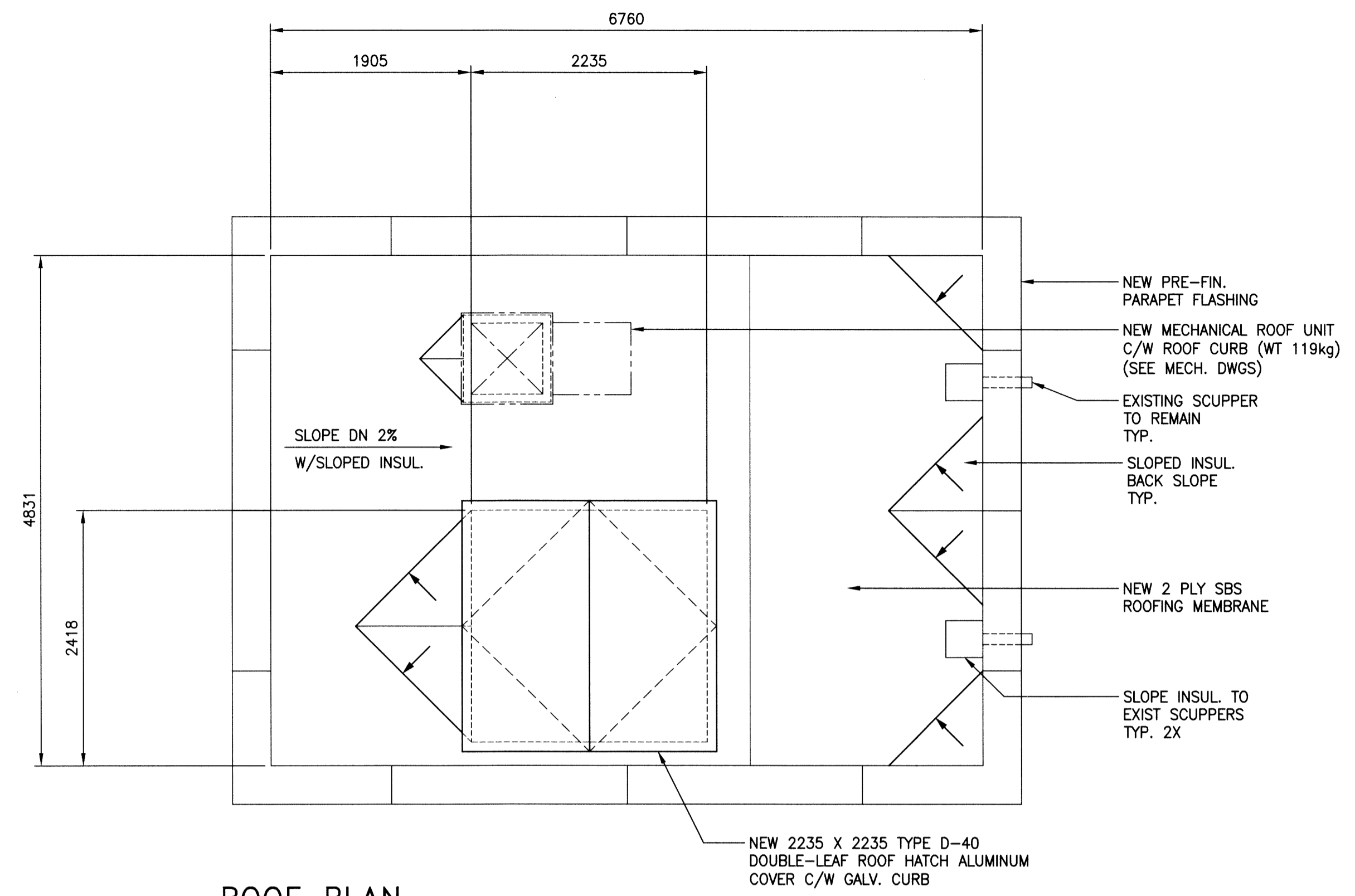
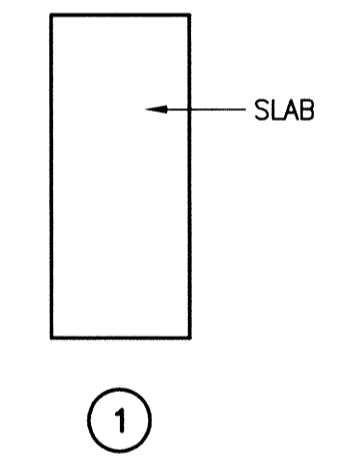


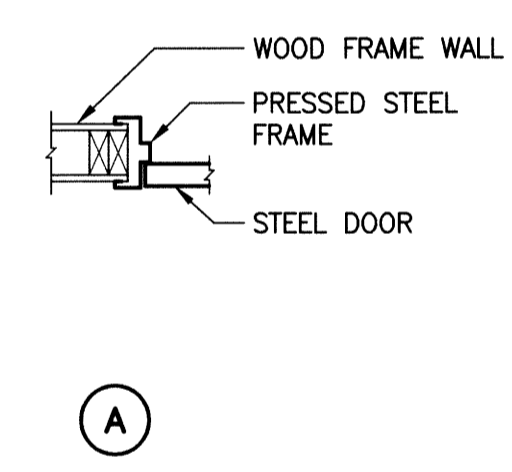
MAIN FLOOR PLAN
SCALE: 1:40



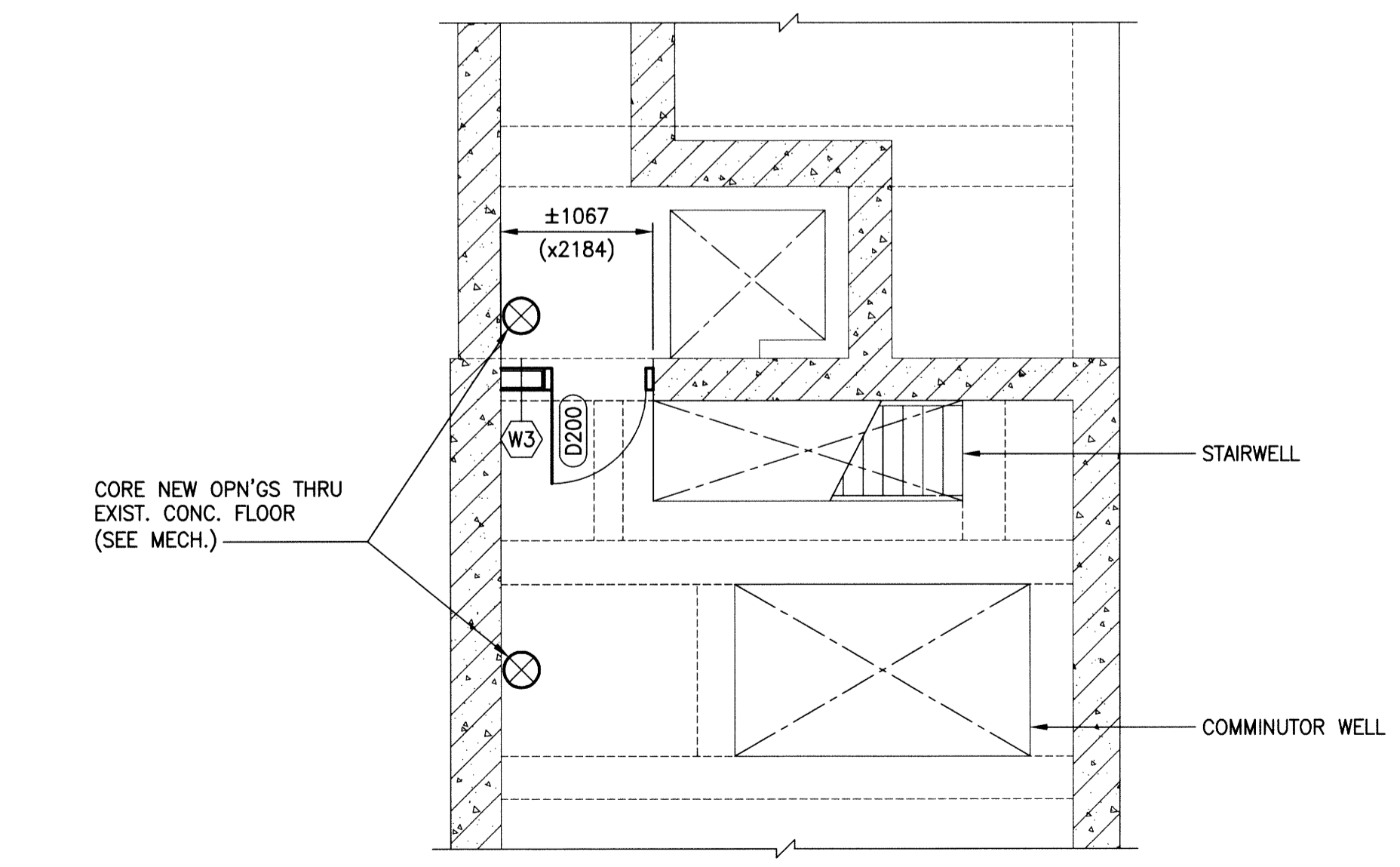
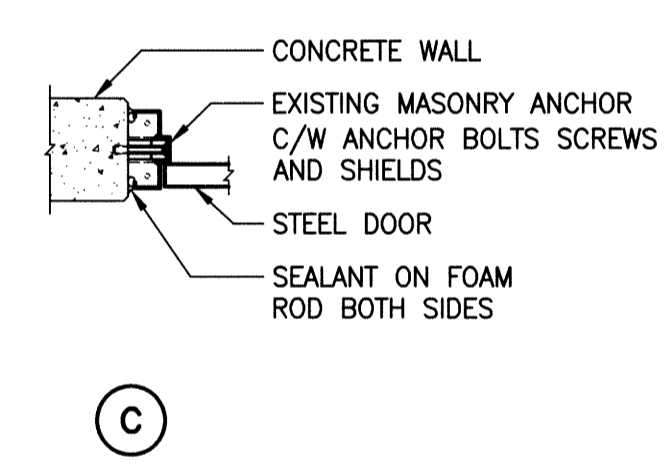
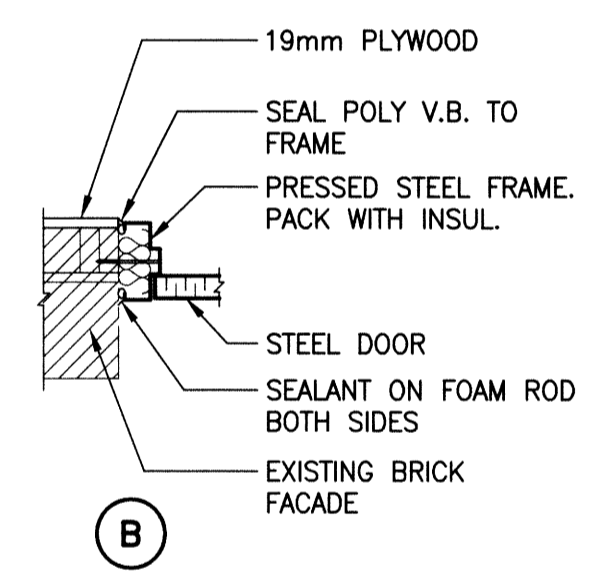
ROOF PLAN
SCALE: 1:40



DOOR TYPES
SCALE: 1:50



FRAME TYPES
SCALE: 1:15



PART PLAN @ EL. 227.076m
SCALE: 1:40

WALL TYPES:

- W1 EXIST. EXTERIOR WALL
 - EXIST. BRICK (PAINTED)
 - EXIST. 19x178 WD PLANKS
 - EXIST. AIR BARRIER (ASSUMED)
 - EXIST. 38x89 WD STUDS @ 400 O/C
 - NEW R14 MINERAL WOOL INSUL.
 - NEW 6 ML. CGSB POLY VAPOUR BARRIER
 - NEW 19mm PLYWD (PAINT)
- W2 NEW EXTERIOR WALL
 - NEW BRICK (PAINTED)
 - 25mm AIRSPACE
 - NEW AIR BARRIER
 - NEW 16mm PLYWD SHEATHING
 - NEW 38x89 WD STUDS @ 400 O/C
 - NEW R14 MINERAL WOOL INSUL.
 - NEW 6 ML. CGSB POLY VAPOUR BARRIER
 - NEW 19mm PLYWD (PAINT)
- W3 NEW PARTITION WALL
 - NEW 19mm PLYWD (PAINT)
 - NEW 38x89 WD STUDS @ 400 O/C
 - NEW 19mm PLYWD (PAINT)
- W4 NEW PARAPET
 - NEW BRICK (PAINTED)
 - 25mm AIR SPACE
 - NEW AIR BARRIER
 - NEW 16mm PLYWD SHEATHING
 - NEW 38x140 PARAPET WD STUDS @ 400 O/C
 - NEW 19mm PLYWD
 - NEW SOPRALENE FLAM STICK BASE SHEET
 - NEW COLVENT T CAP GR (HEAT WELDED)

ROOF TYPES:

- R1 NEW ROOF
 - NEW COLVENT T CAP GR SHEET (HEAT WELDED)
 - NEW COLVENT B10 BASE SHEET (ADHERED)
 - NEW R11.4 SOPRAISO PLUS INSUL. (ADHERED)
 - NEW R11.4 SOPRAISO INSUL. (ADHERED)
 - NEW 2% SLOPED EPS INSUL.
 - NEW AIR VAPOUR BARRIER (ADHERED SOPRAVAP'R)
 - NEW 19mm PLYWD T&G SHEATHING
 - NEW EXIST. 38x184 WD JOISTS @ 400 O/C
 - NEW 19mm PLYWD SHEATHING

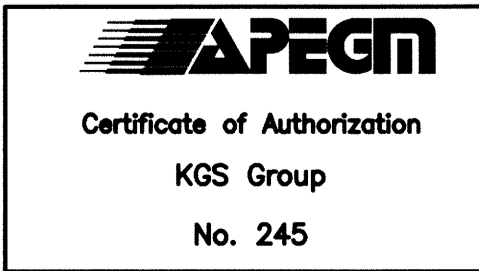
BUILDING & STRUCTURAL SCOPE OF WORK:

- WORK TO INCLUDE BUT NOT LIMITED TO:
- EXTERIOR**
- MEASURE EXISTING GEOMETRY OF EXISTING EXTERIOR WALLS. NEW WALL GEOMETRY TO MATCH EXISTING.
 - DEMOLISH EXISTING BRICK FAÇADE & WOOD FRAMED WALL AS PER DRAWINGS.
 - REMOVE & DISCARD EXISTING EXTERIOR DOOR.
 - REMOVE & DISCARD ALL EXISTING PARAPET FLASHINGS.
 - REMOVE & DISCARD ALL EXISTING SBS ROOFING & ROOF SHEATHING.
 - CONSTRUCT NEW EXTERIOR WALL AS PER DRAWINGS.
 - CONSTRUCT NEW ROOF FRAMING AS PER DRAWINGS.
 - INSTALL NEW EXTERIOR DOOR.
 - INSTALL NEW MECHANICAL LOUVERS (SEE MECH.).
 - INSTALL NEW ROOFING & PARAPET FLASHING AS PER DRAWINGS.
 - REPAIR EXISTING BRICK & STONE AS PER ELEVATIONS.
- INTERIOR**
- REMOVE & DISCARD ALL PLYWOOD SHEATHING FROM INTERIOR SURFACE OF EXTERIOR WALLS. NOTIFY DESIGN ENGINEER FOR SITE INSPECTION TO DETERMINE EXTENT OF DEMOLITION.
 - REMOVE & DISCARD ROOF SUPPORT BEAM & POSTS. REPLACE WITH NEW AS PER DRAWINGS.
 - REMOVE & DISCARD EXISTING STAIR ENCLOSURE & DOOR. REPLACE WITH NEW AS PER DRAWINGS.
 - INSTALL NEW INSULATION AND VAPOUR BARRIER ON ALL EXTERIOR WALLS.
 - INSTALL NEW PLYWOOD ON ALL EXTERIOR WOOD FRAMED WALLS.
 - REMOVE & DISCARD PARTITION WALL AND DOOR ON ELEV. 277.076m. REPLACE WITH NEW AS PER DRAWINGS.

DOOR SCHEDULE											HARDWARE									
DOOR NO.	DOOR SIZE	ELEV.	MAT'L.	CORE	FINISH	REMARKS	FRAME				FIRE RATING (HOURS)	HINGES	LOCK SET	PASSAGE SET	CLOSER	DOOR STOP	CHECK CHAIN	WEATHERSTRIP	THRESHOLD	KICKPLATE
							SECT.	MAT'L	FINISH	REMARKS										
D100	1219W x 2134H CONFIRM ON SITE	1	HM	INSUL	P	-	B	PS	P	-	-	•	•	•	•	•	•	•	•	•
D101	711W x 2134H CONFIRM ON SITE	1	HM	KHC	P	-	A & C	PS	P	R-SECT. A / L-SECT. C	-	•	•	•	•	•	•	•	•	•
D200	600W x 2032H CONFIRM ON SITE	1	HM	KHC	P	-	A & C	PS	P	R-SECT. C / L-SECT. A	-	•	•	•	•	•	•	•	•	•

ABBREVIATIONS:

- HM HOLLOW METAL
- INSUL INSULATION
- KHC KRAFT HONEYCOMB
- P PAINT
- PF PRE-FINISHED
- PS PRESSED STEEL
- STL STEEL



POSTED TO LBIS	FIELD BOOK #:	KGS GROUP CONSULTING ENGINEERS	
DESIGNED BY: CMS	CHECKED BY: JMW	ENGINEER'S SEAL	
DRAWN BY: JAR	APPROVED BY:		
HR. SCALE: AS NOTED	RELEASED FOR CONSTRUCTION	D-B01	
VERTICAL: AS NOTED	DATE: 2014-11-24	SHEET 1 OF 1	
ISSUED FOR CONSTRUCTION	DATE: 14/12/17	CITY DRAWING NUMBER	
NO. REVISIONS	DATE BY	1-0139F-B0001-001	

THE CITY OF WINNIPEG
WATER AND WASTE DEPARTMENT

FLOOD PUMPING STATION UPGRADES
DUMOULIN STATION
BUILDING
MAIN FLOOR & ROOF PLAN