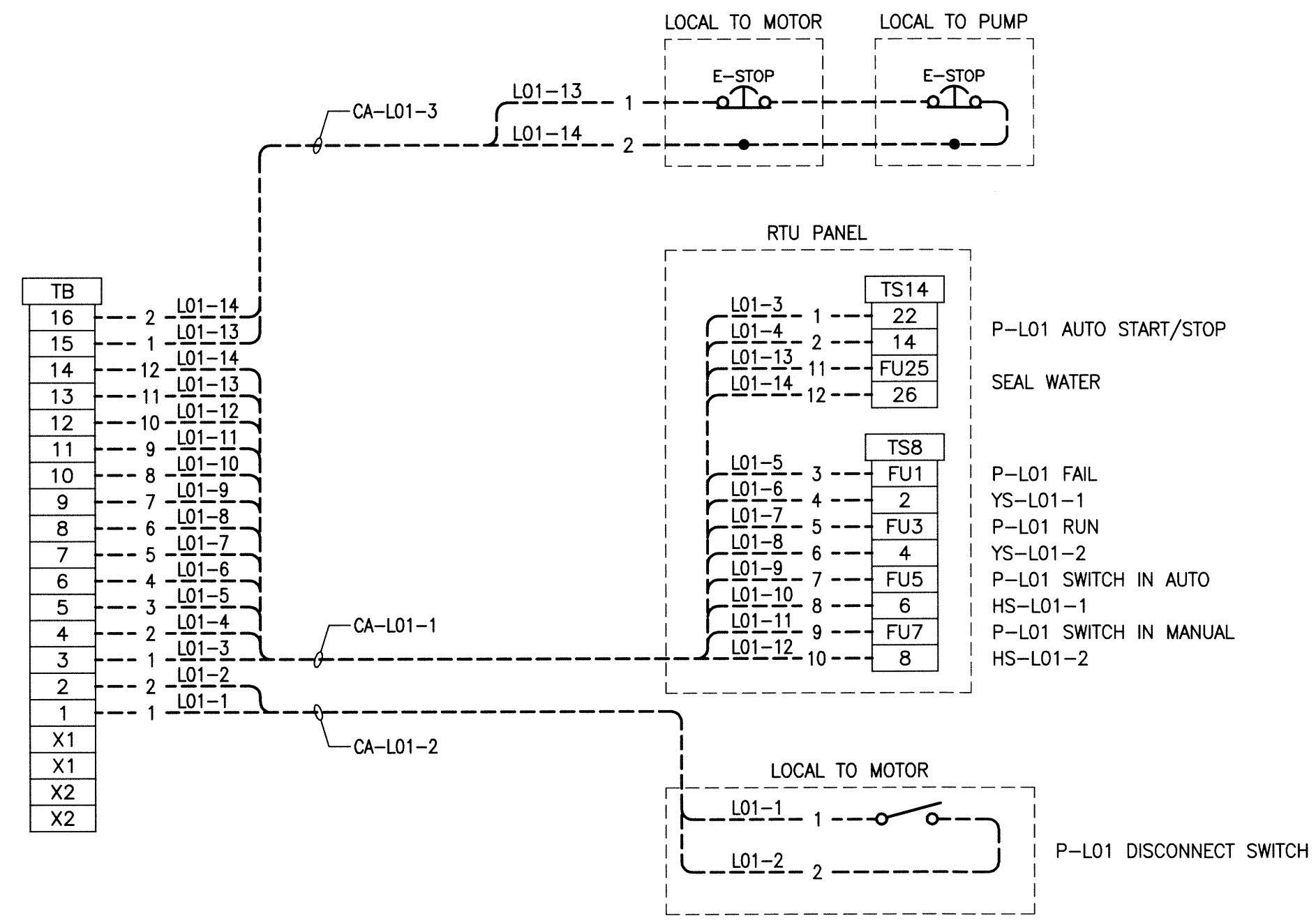


1 P-L01 STARTER SCHEMATIC
SCALE: N.T.S.

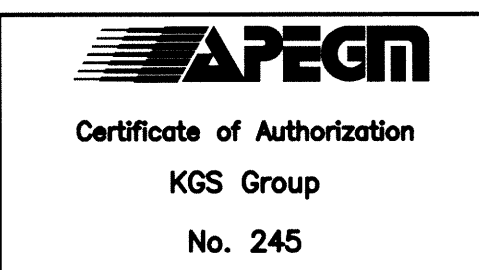
- NOTES:**
- AUXILIARY CONTACT ON DISCONNECT SWITCH SHALL BREAK BEFORE DISCONNECT OPENS AND MAKE AFTER DISCONNECT CLOSES.
 - LOCATE EMERGENCY STOP PUSHBUTTONS SO THAT THEY ARE CLEARLY ASSOCIATED WITH THEIR RESPECTIVE EQUIPMENT.
 - EMERGENCY STOP PUSHBUTTONS SHALL BE PUSH-PULL, CORROSION RESISTANT, ALLEN BRADLEY 800H-FPX6D4 OR APPROVED EQUAL.

- LEGEND:**
- PANEL WIRING
 - - - - - FIELD WIRING
 - STARTER TERMINAL
 - ▣ RTU TERMINAL
 - FUSE



2 P-L01 INTERCONNECTION DIAGRAM
SCALE: N.T.S.

File Name: P:\Projects\2013\13-0107-026\Drawings\Elec\13-0107-026-0-E06.dwg - Tab: E06 Plotted By: Dberoché 12/15/2014 [Mon 1:09pm]



NO.	REVISIONS	DATE	BY
0	ISSUED FOR CONSTRUCTION	14/12/15	AP

DESIGNED BY: DAL		CHECKED BY: [Signature]	
DRAWN BY: BGO		APPROVED BY: [Signature]	
HOR. SCALE: N.T.S.		RELEASED FOR CONSTRUCTION	
DATE: 2014 10 29		DATE:	

ENGINEER'S SEAL

D-E06

THE CITY OF WINNIPEG
WATER AND WASTE DEPARTMENT

FLOOD PUMPING STATION UPGRADES
DUMOULIN STATION
ELECTRICAL
LIFT PUMP P-L01
SCHEMATIC/WIRING DIAGRAM

SHEET 1 OF 1
CITY DRAWING NUMBER
1-0139F-A0003-001