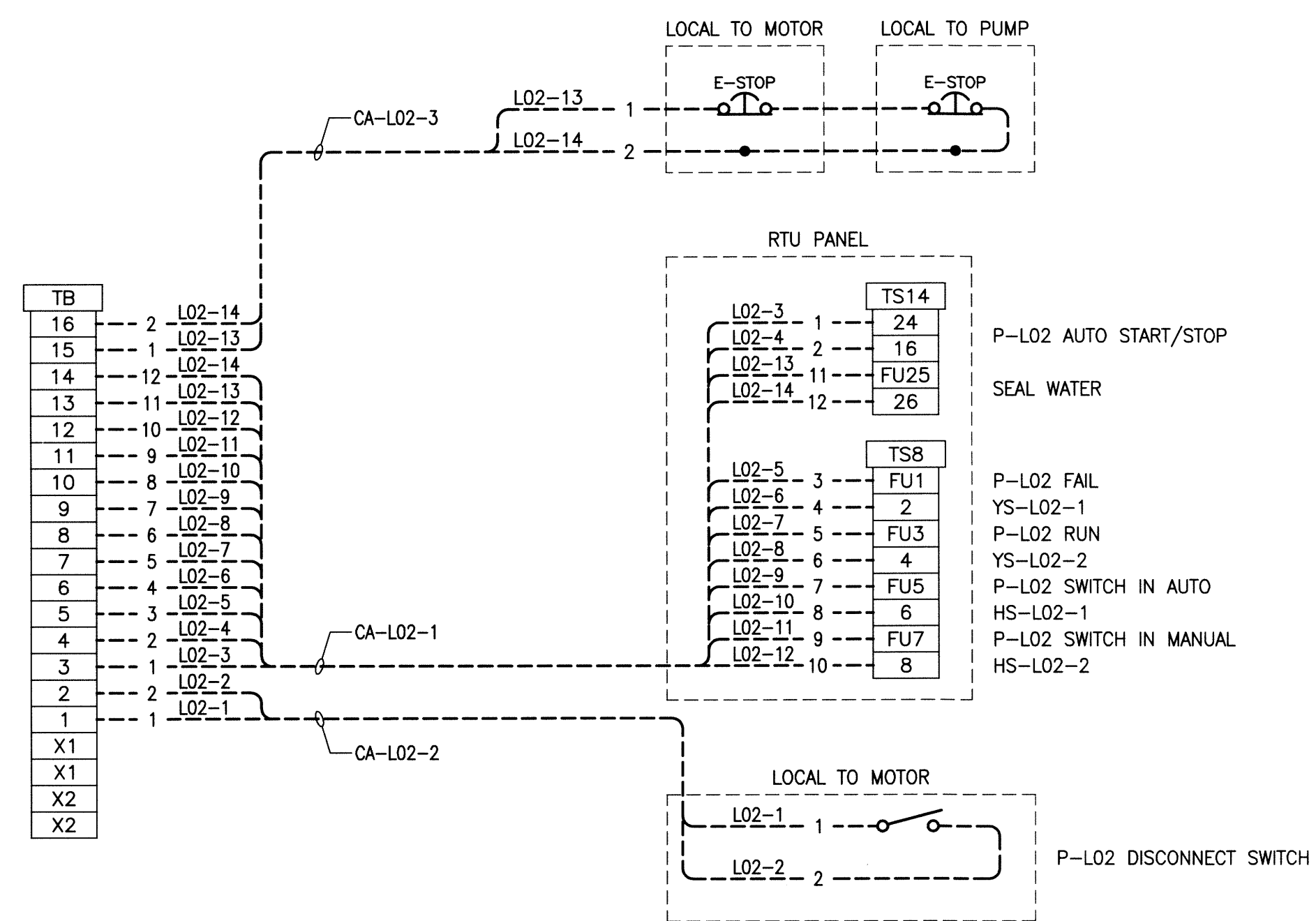


1 P-L02 STARTER SCHEMATIC
SCALE: N.T.S.

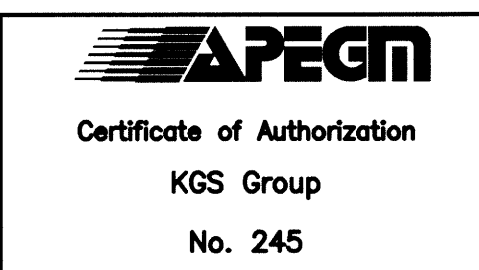


2 P-L02 INTERCONNECTION DIAGRAM
SCALE: N.T.S.

- NOTES:**
- AUXILIARY CONTACT ON DISCONNECT SWITCH SHALL BREAK BEFORE DISCONNECT OPENS AND MAKE AFTER DISCONNECT CLOSES.
 - LOCATE EMERGENCY STOP PUSHBUTTONS SO THAT THEY ARE CLEARLY ASSOCIATED WITH THEIR RESPECTIVE EQUIPMENT.
 - EMERGENCY STOP PUSHBUTTONS SHALL BE PUSH-PULL, CORROSION RESISTANT, ALLEN BRADLEY 800H-FPX6D4 OR APPROVED EQUAL.

- LEGEND:**
- PANEL WIRING
 - FIELD WIRING
 - STARTER TERMINAL
 - RTU TERMINAL
 - FUSE

File Name: P:\Projects\2013\13-0107-026-Dwg\Elec\13-0107-026-D-E07.dwg - Tab: E07 Plotted By: DBeroche 12/15/2014 [Mon 1:09pm]



POSTED TO LBIS			
DESIGNED BY	DAL	CHECKED BY	
DRAWN BY	BGO	APPROVED BY	
HOR. SCALE	N.T.S.	RELEASED FOR CONSTRUCTION	
VERTICAL			
0 ISSUED FOR CONSTRUCTION	14/12/15	AP	
NO. REVISIONS	DATE	BY	DATE
			2014 10 29

KGS GROUP
CONSULTING ENGINEERS

DESIGNED BY DAL CHECKED BY [Signature]

DRAWN BY BGO APPROVED BY [Signature]

HOR. SCALE N.T.S. RELEASED FOR CONSTRUCTION

VERTICAL

0 ISSUED FOR CONSTRUCTION 14/12/15 AP

NO. REVISIONS DATE BY DATE 2014 10 29

ENGINEER'S SEAL

D-E07

THE CITY OF WINNIPEG
WATER AND WASTE DEPARTMENT

FLOOD PUMPING STATION UPGRADES
DUMOULIN STATION
ELECTRICAL
LIFT PUMP P-L02
SCHEMATIC/WIRING DIAGRAM

SHEET 1 OF 1
CITY DRAWING NUMBER
1-0139F-A0004-001