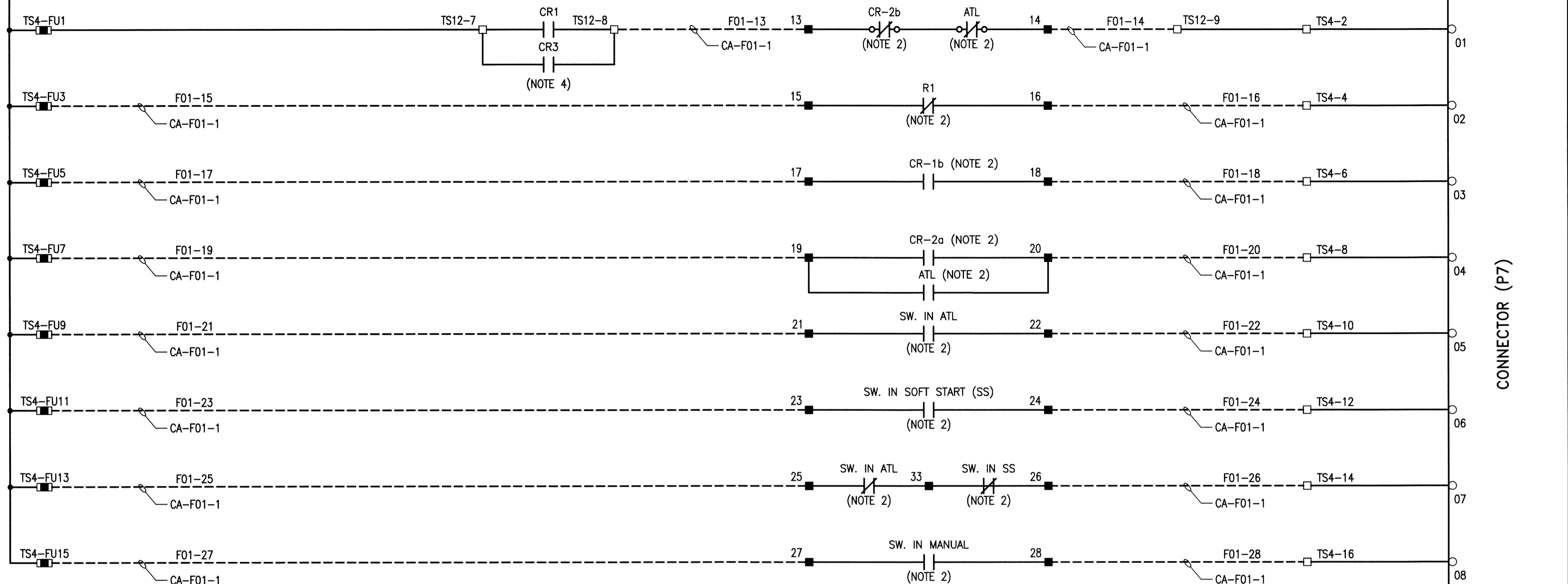
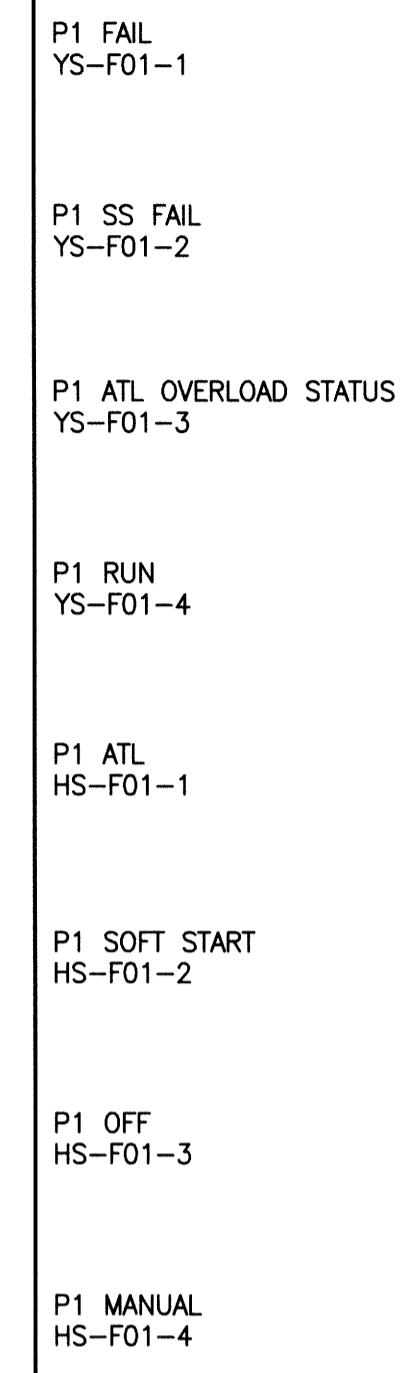


FROM TSDC-FU3  
24 VDC  
(NOTE 1)



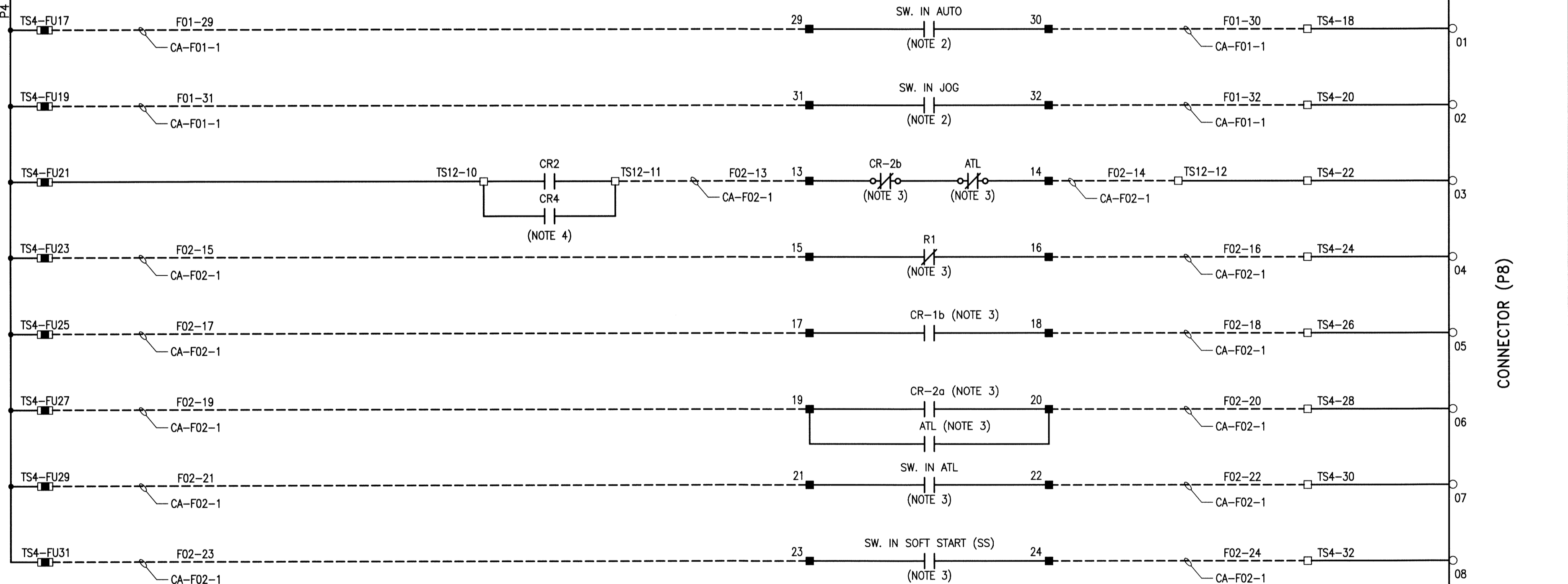
SCADAPAK 357 RTU  
32-PT DISCRETE  
INPUT

CONNECTOR (P7)

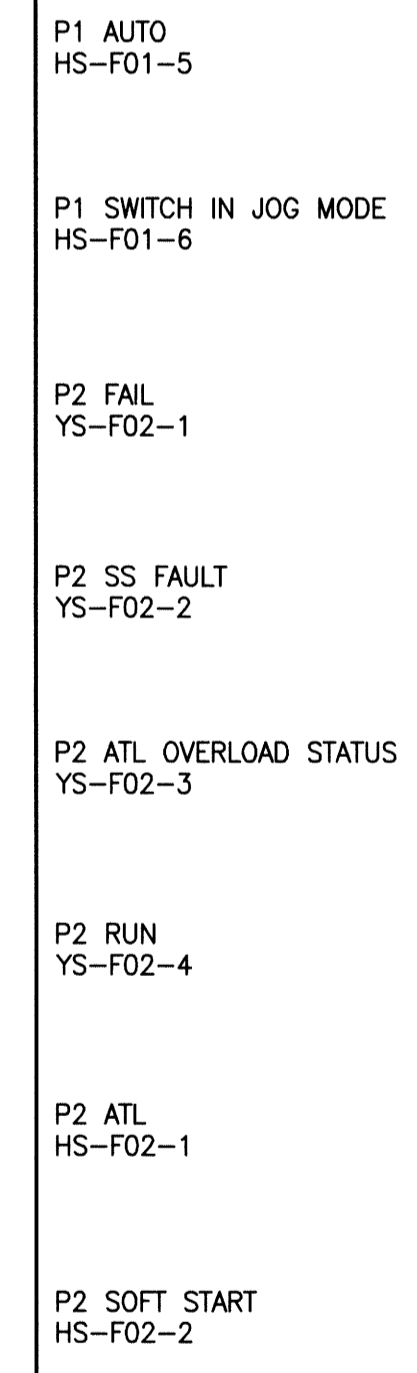


FROM TSDC-C3  
0 VDC  
(NOTE 1)

FROM TSDC-FU4  
24 VDC  
(NOTE 1)



CONNECTOR (P8)



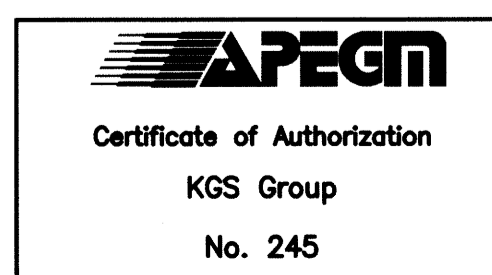
FROM TSDC-C4  
0 VDC  
(NOTE 1)

NOTES:

1. REFER TO DRAWING 1-0139F-A0008-001 (D-E21.1) FOR ADDITIONAL DETAILS.
2. REFER TO PUMP P-F01 STARTER SCHEMATIC DRAWING 1-0139F-A0001-001 (D-E04.1) FOR ADDITIONAL DETAILS.
3. REFER TO PUMP P-F02 STARTER SCHEMATIC DRAWING 1-0139F-A0002-001 (D-E05.1) FOR ADDITIONAL DETAILS.
4. REFER TO DRAWING 1-0139F-A0010-001 (D-E23) FOR ADDITIONAL DETAILS.

LEGEND:

- PANEL WIRING
- - - FIELD WIRING
- RTU TERMINAL
- STARTER TERMINAL
- FUSED TERMINAL



NO.	REVISIONS	DATE	BY
0	ISSUED FOR CONSTRUCTION	14/12/15	AP

DESIGNED BY	DDW	CHECKED BY	APPROVED BY
DRAWN BY	GCN		
HDR. SCALE	N.T.S.	RELEASED FOR CONSTRUCTION	
DATE	2014 01 17	DATE	

ENGINEER'S SEAL

D-E30.1

**THE CITY OF WINNIPEG**  
WATER AND WASTE DEPARTMENT

FLOOD PUMPING STATION UPGRADES  
DUMOULIN STATION  
**ELECTRICAL**  
RTU PANEL - 5606 I/O BOARD NO.1  
DISCRETE INPUTS

SHEET 1 OF 2  
CITY DRAWING NUMBER  
1-0139F-A0016-001