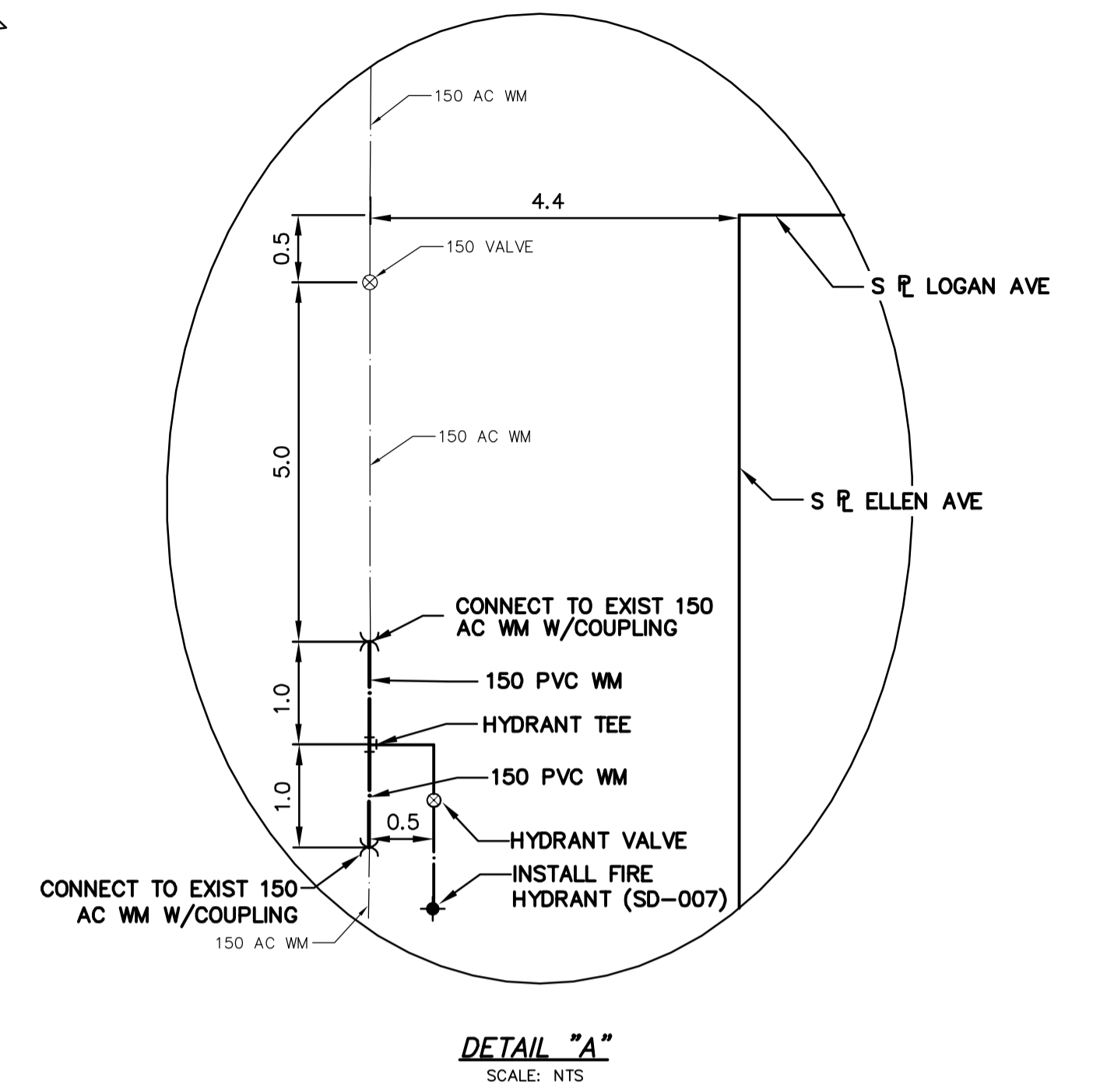
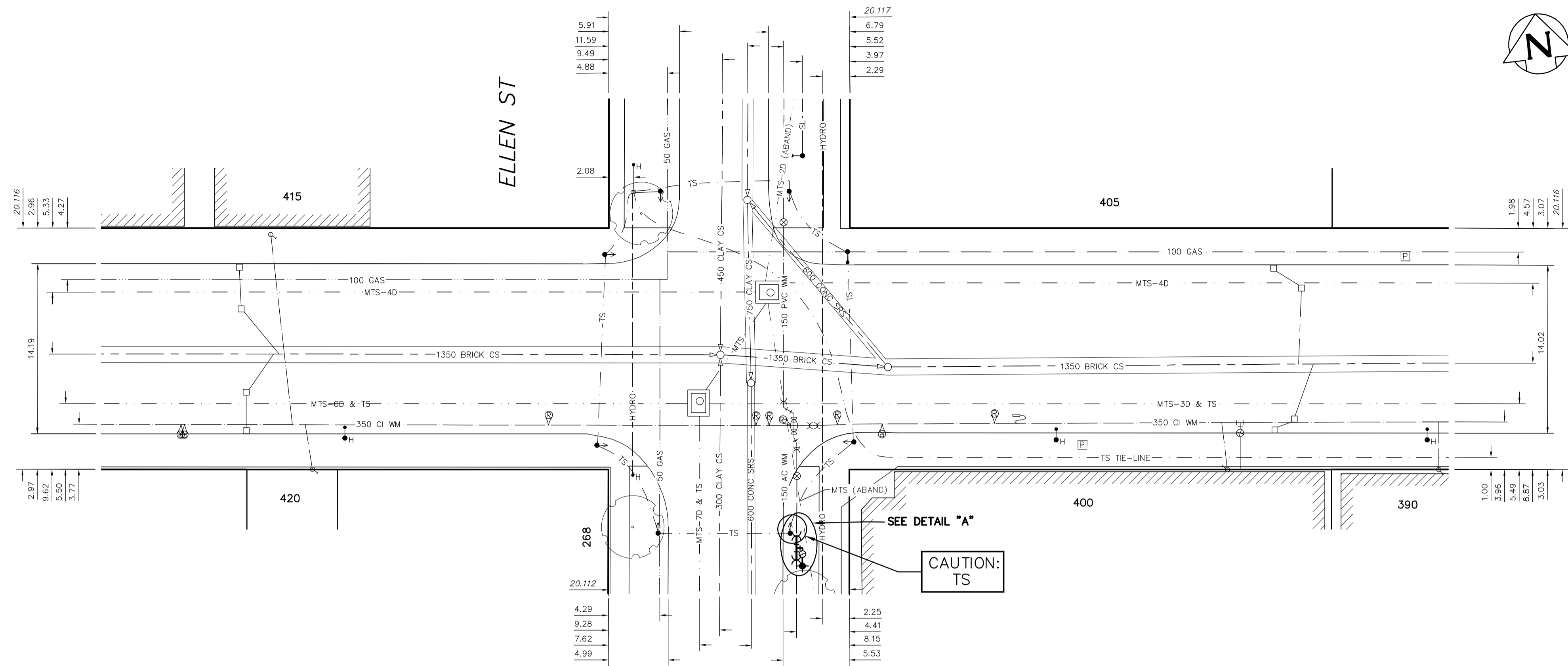
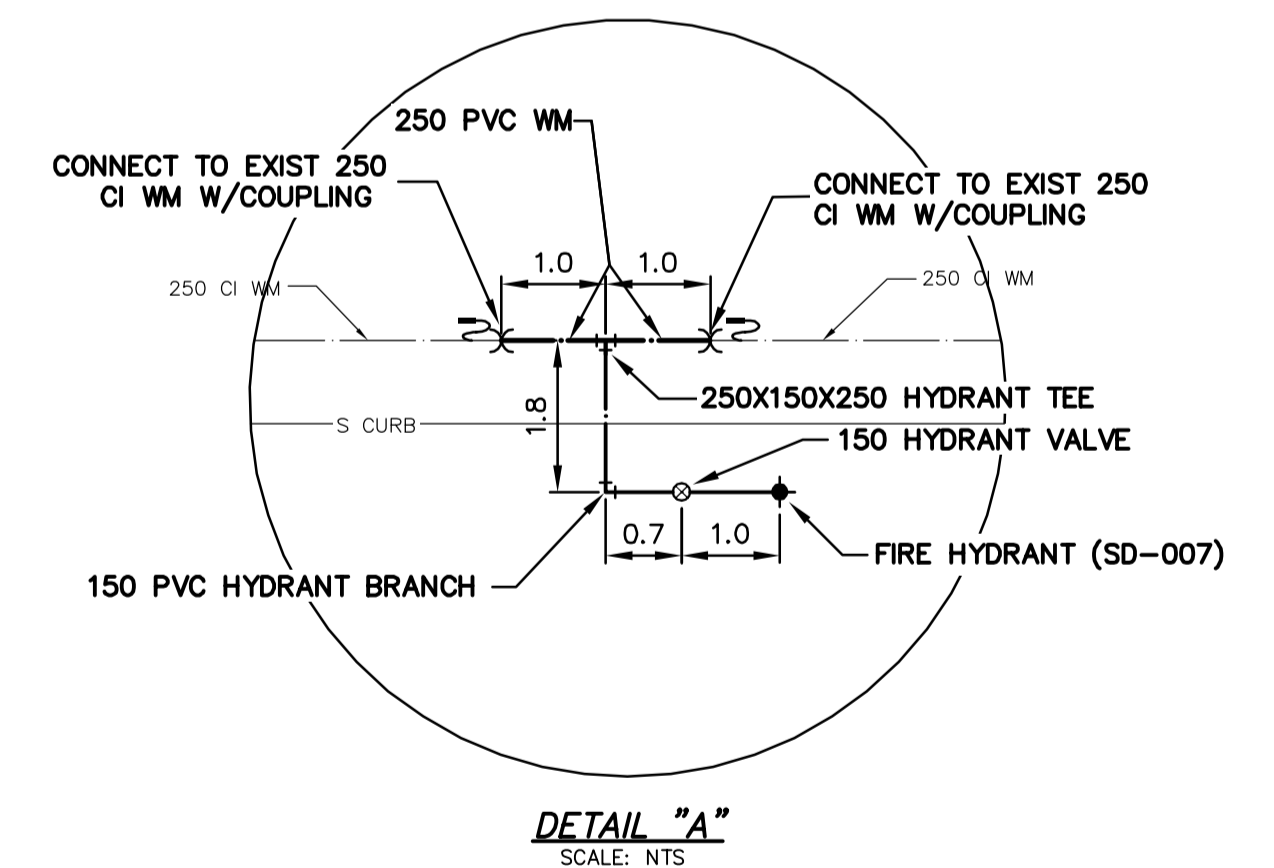
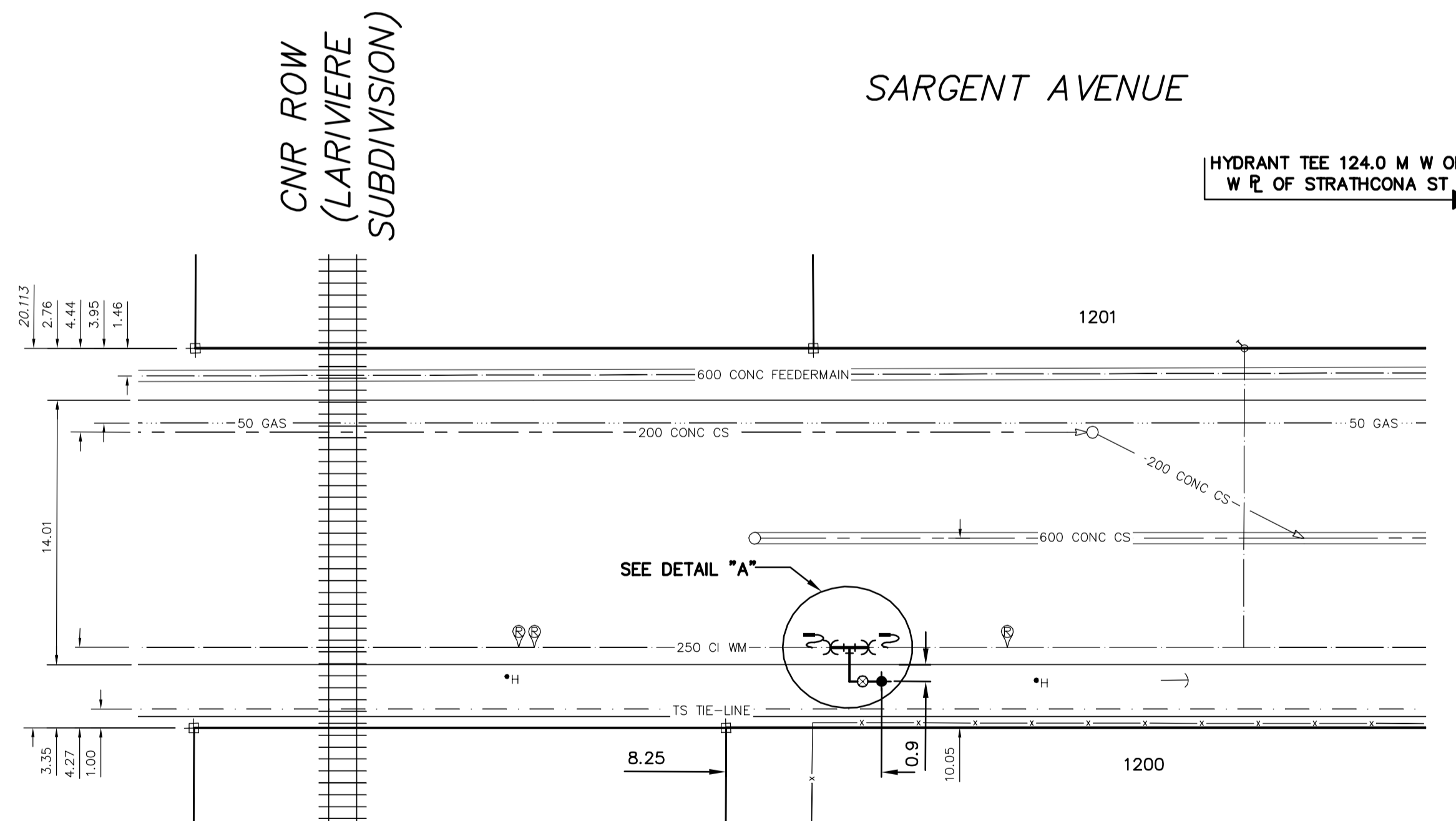


LOGAN AVENUE

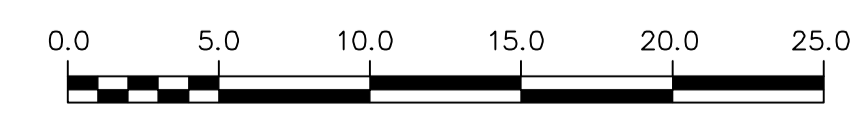


SARGENT AVENUE



VALVES TO BE COUNTER-CLOCKWISE TO CLOSE (RED OPERATING NUT)

**METRIC**  
WHOLE NUMBERS INDICATE MILLIMETRES  
DECIMALIZED NUMBERS INDICATE METRES



<p><b>WARNING</b></p> <p>IF POWER EQUIPMENT OR EXPLOSIVES ARE TO BE USED FOR EXCAVATION ON THIS PROJECT THE CONTRACTOR MUST:</p> <ol style="list-style-type: none"> <li>1) NOTIFY THE GAS COMPANY OF THE PROPOSED LOCATION OF EXCAVATION.</li> <li>2) TAKE PRECAUTION TO AVOID DAMAGE TO GAS COMPANY INSTALLATIONS.</li> </ol> <p>SEE PROVINCIAL REGULATION 210/72 FOR DETAILS</p>	<p>LOCATION APPROVED UNDERGROUND STRUCTURES</p> <p>SUPV. U/G STRUCTURES COMMITTEE DATE</p> <p>NOTE: LOCATION OF UNDERGROUND STRUCTURES AS SHOWN ARE BASED ON THE BEST INFORMATION AVAILABLE BUT NO GUARANTEE IS GIVEN THAT ALL EXISTING UTILITIES ARE SHOWN OR THAT THE GIVEN LOCATIONS ARE EXACT. CONFIRMATION OF EXISTENCE AND EXACT LOCATION OF ALL SERVICES MUST BE OBTAINED FROM THE INDIVIDUAL UTILITIES BEFORE PROCEEDING WITH CONSTRUCTION.</p>	<p>B.M. ELEV.</p> <p>CONSTRUCTION COMPLETION DATE: YYYY MM DD</p> <table border="1"> <thead> <tr> <th>NO.</th> <th>REVISIONS</th> <th>DATE</th> <th>BY</th> </tr> </thead> <tbody> <tr><td> </td><td> </td><td> </td><td> </td></tr> <tr><td> </td><td> </td><td> </td><td> </td></tr> <tr><td> </td><td> </td><td> </td><td> </td></tr> </tbody> </table>	NO.	REVISIONS	DATE	BY													<p>ENGINEER'S SEAL</p> <p>CONSULTANT DRAWING NUMBER</p>	<p><b>THE CITY OF WINNIPEG</b> WATER AND WASTE DEPARTMENT ENGINEERING DIVISION</p> <p>2014 WATER RENEWALS ELLEN STREET AT LOGAN AVENUE &amp; SARGENT AVENUE</p>	<p>SHEET 6 OF 11 CITY DRAWING NUMBER D-13479</p>
			NO.	REVISIONS	DATE	BY															
<p>DESIGNED BY: MJK</p> <p>DRAWN BY: CJH/MA</p> <p>SCALE: HORIZONTAL 1:250, VERTICAL 1:50</p> <p>DATE: 2014 03 21</p> <p>PLOT DATE: 2014 03 21</p>	<p>CHECKED BY: SC</p> <p>APPROVED BY: KZ</p> <p>RELEASED FOR CONSTRUCTION</p> <p>DATE: _____</p>																				