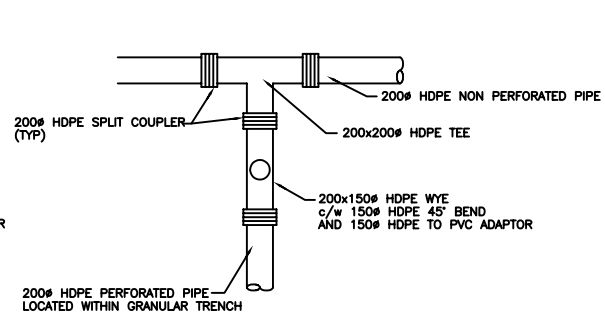
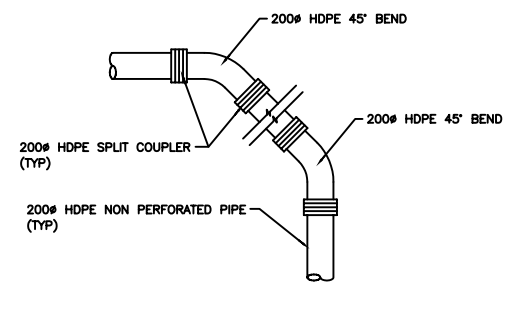


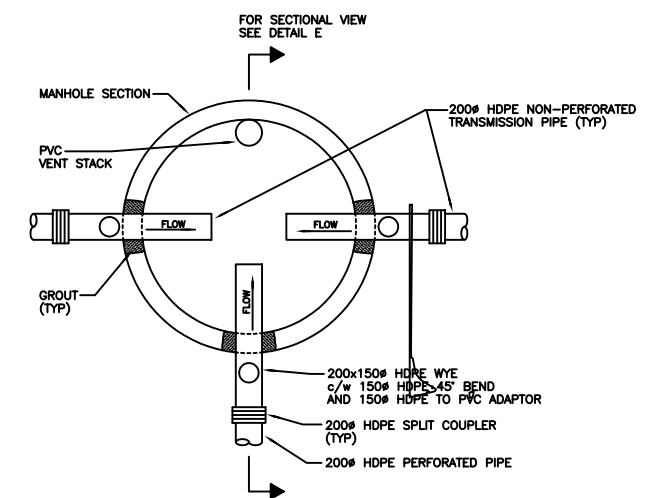
DETAIL A



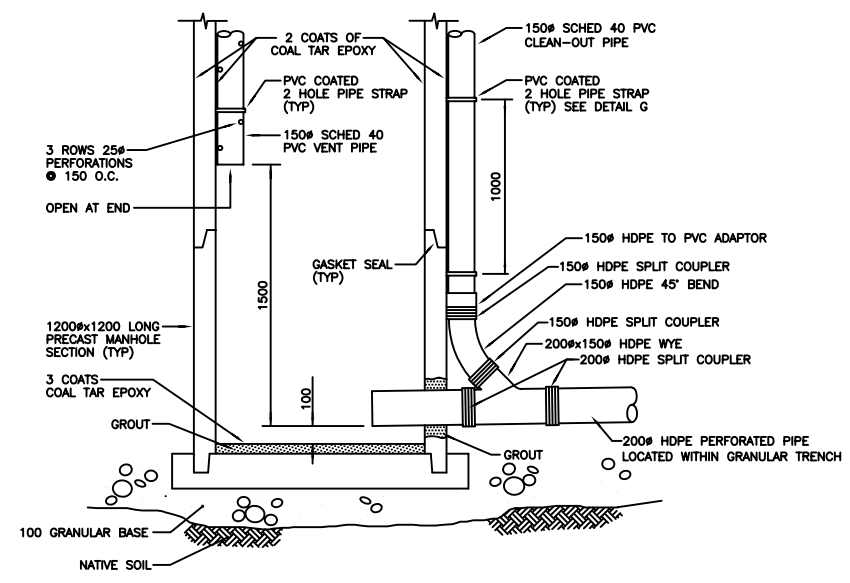
DETAIL B



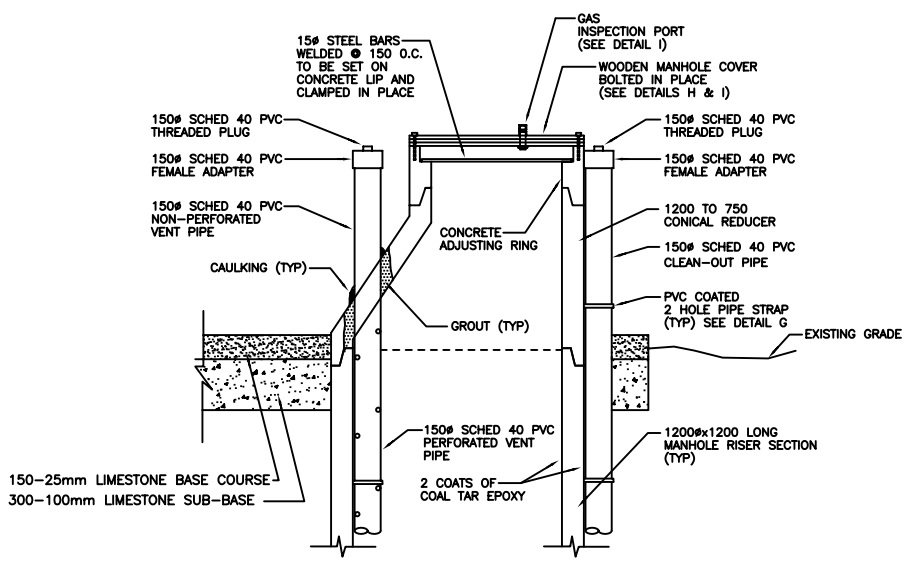
DETAIL C



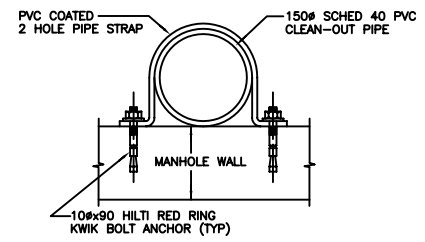
DETAIL D



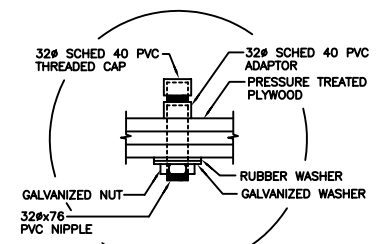
DETAIL E



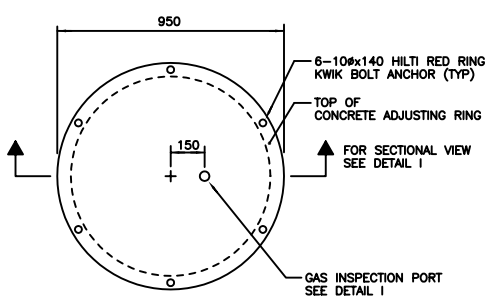
DETAIL F



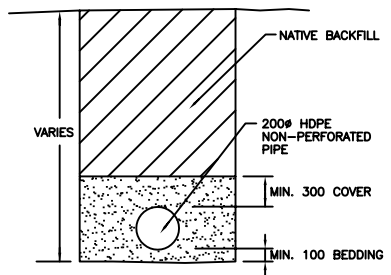
DETAIL G



DETAIL I



DETAIL H



SECTION B-B

NOTE: HDPE REFERS TO BOSS 2000 SMOOTHWALL HIGH DENSITY POLYETHYLENE PIPE

METRIC
WHOLE NUMBERS INDICATE MILLIMETRES
DECIMALIZED NUMBERS INDICATE METRES

B.M. _____	_____	_____
ELEV. _____	_____	_____
NO. REVISIONS	DATE	BY

DESIGNED BY: CT/GZ	CHECKED BY: CT
DRAWN BY: MTS	APPROVED BY: RDL
HOR. SCALE: N.T.S.	RELEASED FOR CONSTRUCTION
DATE: 1996 02 15	DATE: 1996 02 16

ENGINEER'S SEAL
PD 96-017
PLOT DATE: 96-02-16
AUTOCADR12:T:\SLDWASTE\SUMMIT_SWD-260

THE CITY OF WINNIPEG WORKS AND OPERATIONS DIVISION WATER AND WASTE DEPARTMENT	
SUMMIT ROAD LANDFILL PERIMETER LEACHATE COLLECTION SYSTEM	SHEET 2 OF 2 CITY DRAWING NUMBER
LEACHATE COLLECTION SYSTEM DETAILS	SWD-260