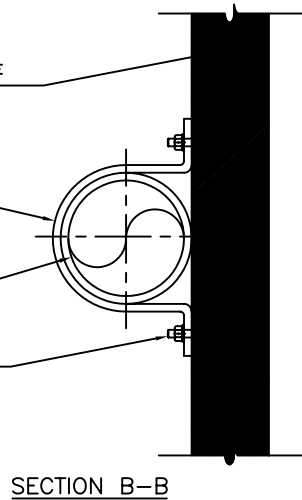
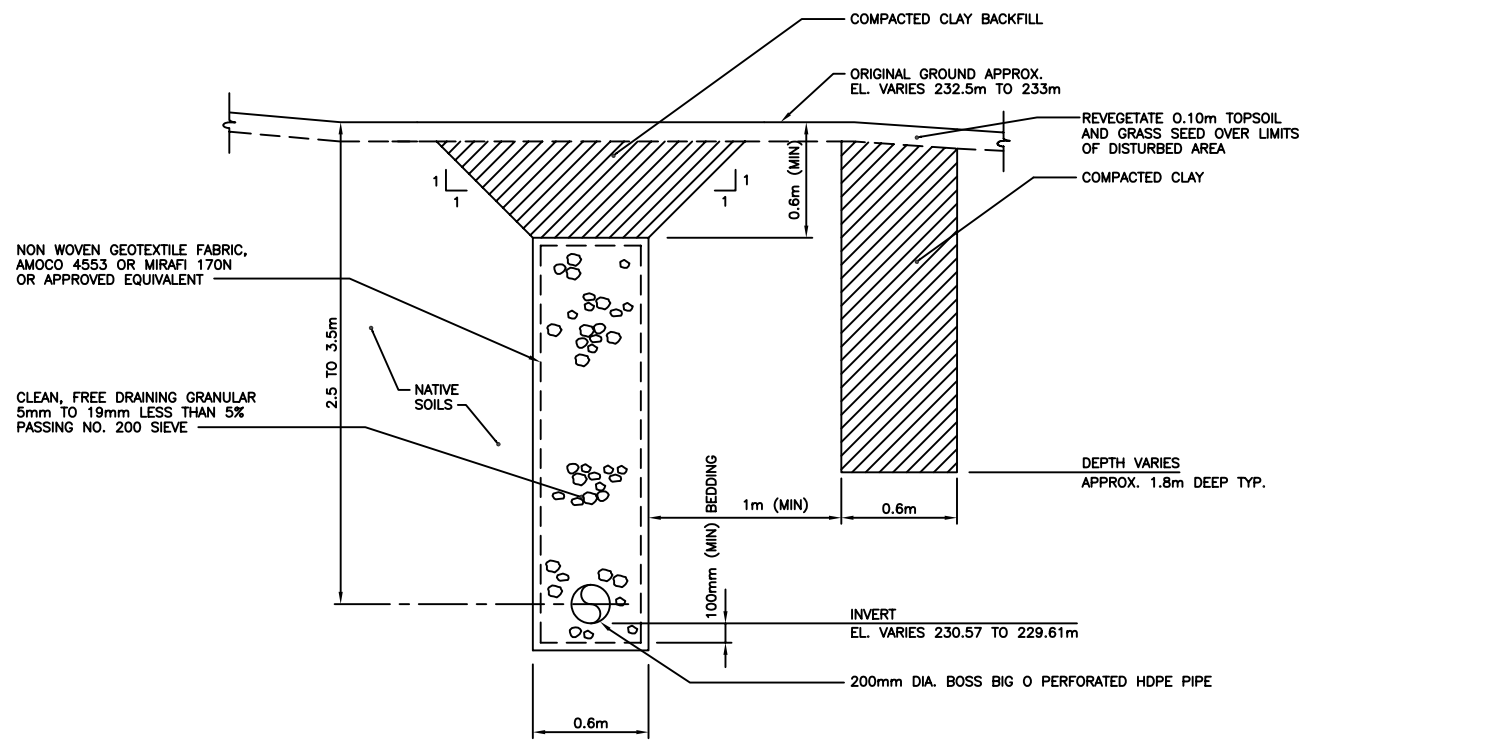
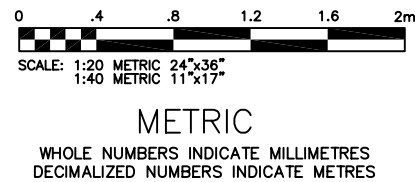


LOCKING LID
PERMANENT LIFTING RINGS
TOP OF MH
ELEV. 234.12

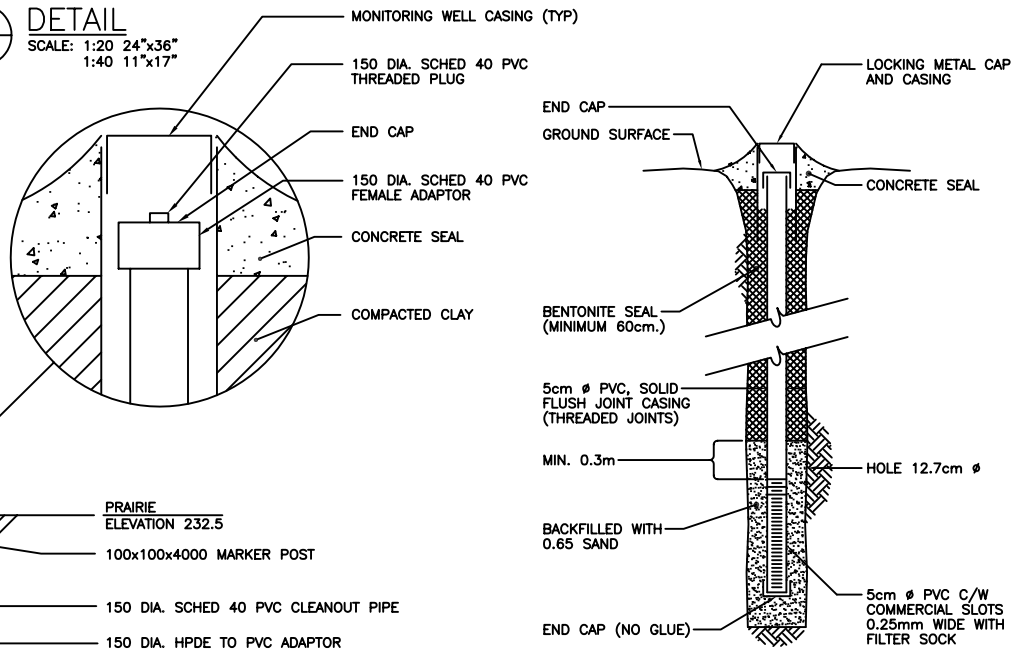
CONCRETE MANHOLE/LEACHATE
COLLECTION SUMP WALL
PVC COATED
2 HOLE PIPE STRAP
150 DIA. SCHED 40 PVC
CLEAN-OUT PIPE
10 DIA.x90 HILTI RED RING
KWIK BOLT ANCHOR (TYP)



SECTION - MANHOLE/LEACHATE
COLLECTION SUMP
SCALE: 1:20 24"x36"
1:40 11"x17"

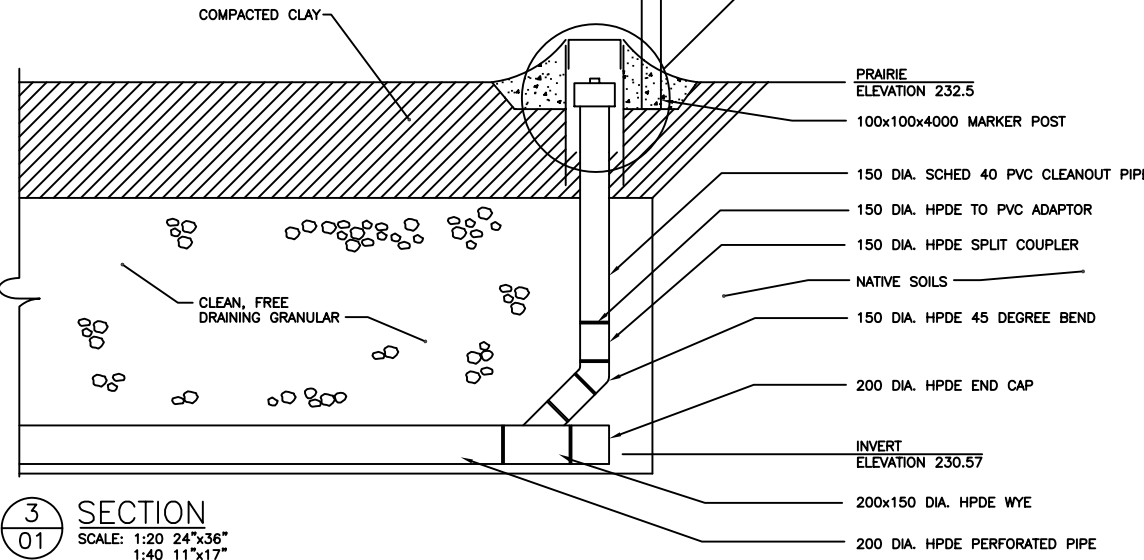


1
01
DETAIL
SCALE: 1:20 24"x36"
1:40 11"x17"



MONITORING WELL DETAIL
(Not to Scale)

- NOTES:
1. START NEW DRAWING, USING WELLDDETAIL.DWG AS A PROTOTYPE.
 2. INSERT APPROPRIATE LOGO AND MODIFY TITLE BLOCK AS REQUIRED.
 3. MODIFY DRAWING IF NECESSARY.



3
01
SECTION
SCALE: 1:20 24"x36"
1:40 11"x17"

LOCATIONS APPROVED UNDERGROUND STRUCTURES		B.M. - ELEV. -		KGS CONSULTING ENGINEERS & PROJECT MANAGERS		ENGINEER'S SEAL		THE CITY OF WINNIPEG WATER AND WASTE DEPARTMENT SOLID WASTE DIVISION	
SUPV U/O STRUCTURES COMMITTEE		DATE		DESIGNED BY B.W. CHECKED BY: J.B.S. DATE		DRAWN BY A.M. APPROVED BY: DATE		SASKATCHEWAN AVENUE LANDFILL	
NOTE: LOCATION OF UNDERGROUND STRUCTURES AS SHOWN ARE BASED ON THE BEST INFORMATION AVAILABLE BUT NO GUARANTEE IS GIVEN THAT ALL EXISTING UTILITIES ARE SHOWN OR THAT THE GIVEN LOCATIONS ARE EXACT CONFIRMATION OF EXISTANCE AND EXACT LOCATION OF ALL SERVICES MUST BE OBTAINED FROM THE INDIVIDUAL UTILITIES BEFORE PROCEEDING WITH CONSTRUCTION		D REVISED LEACHATE COLLECTION MH 02/10/21 DB/NKT		C AS-BUILT REVISION 02/10/98 CWC		HOR. SCALE: AS NOTED		CITY DRAWING NUMBER SWD-D-337	
		B SECTION 2; DETAIL 1 12/12/97 JBS		A ISSUED FOR BIDDING 05/12/97 JBS		VERTICAL: AS NOTED		SHEET 2 OF 2	
		NO. REVISIONS		DATE BY		DATE NOV. 1997		LEACHATE COLLECTION SYSTEM DETAILS	
						CONSULTANT DRAWING NO. 97-107-20-02		C	