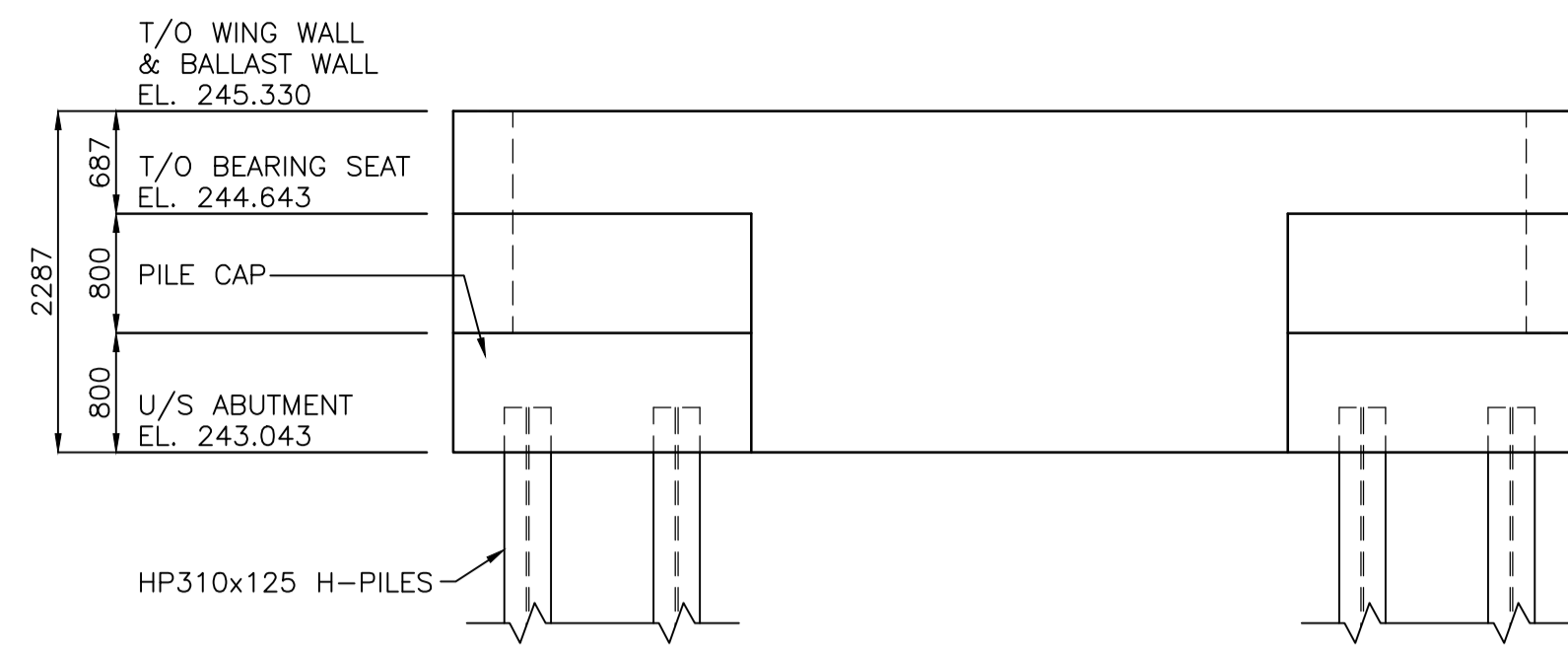
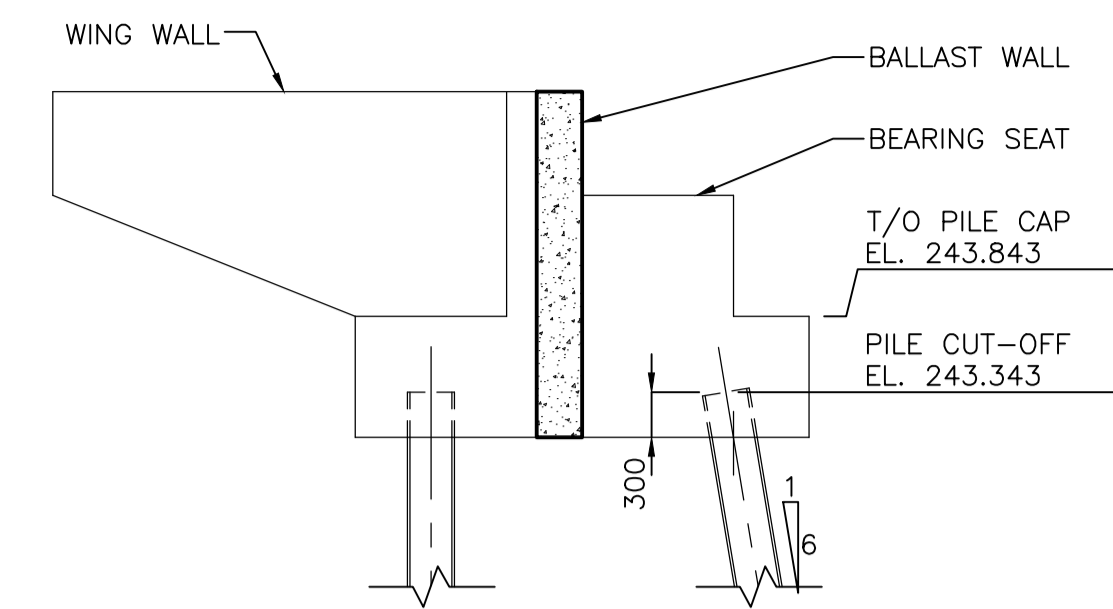


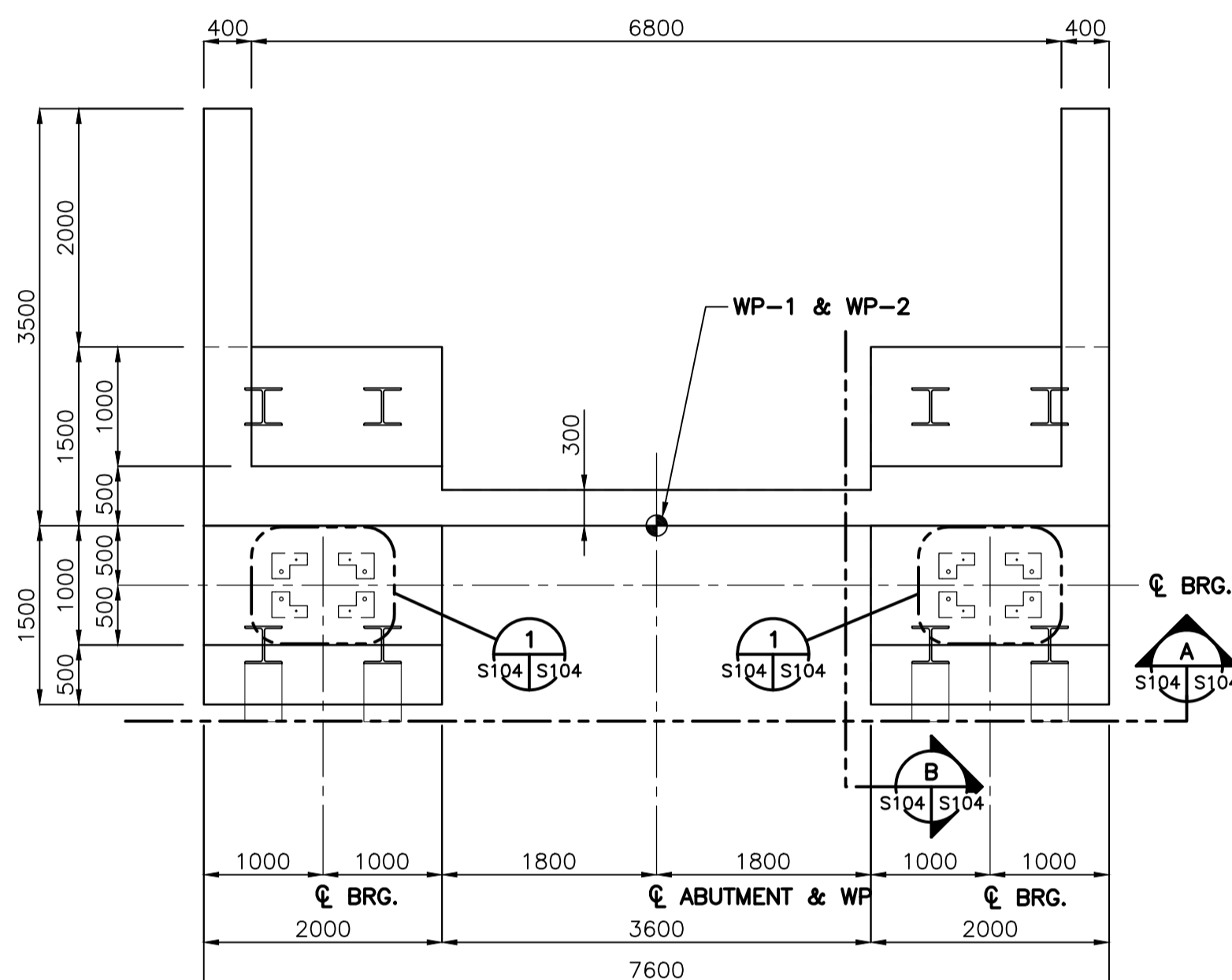
PILE LAYOUT
1:50



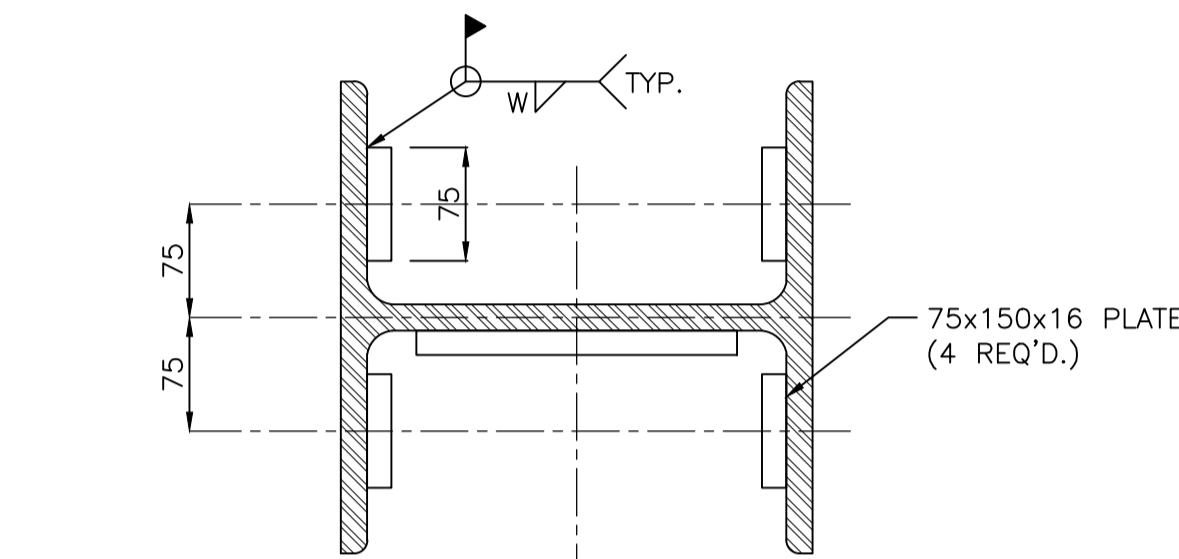
VIEW A
S104 S104 1:50



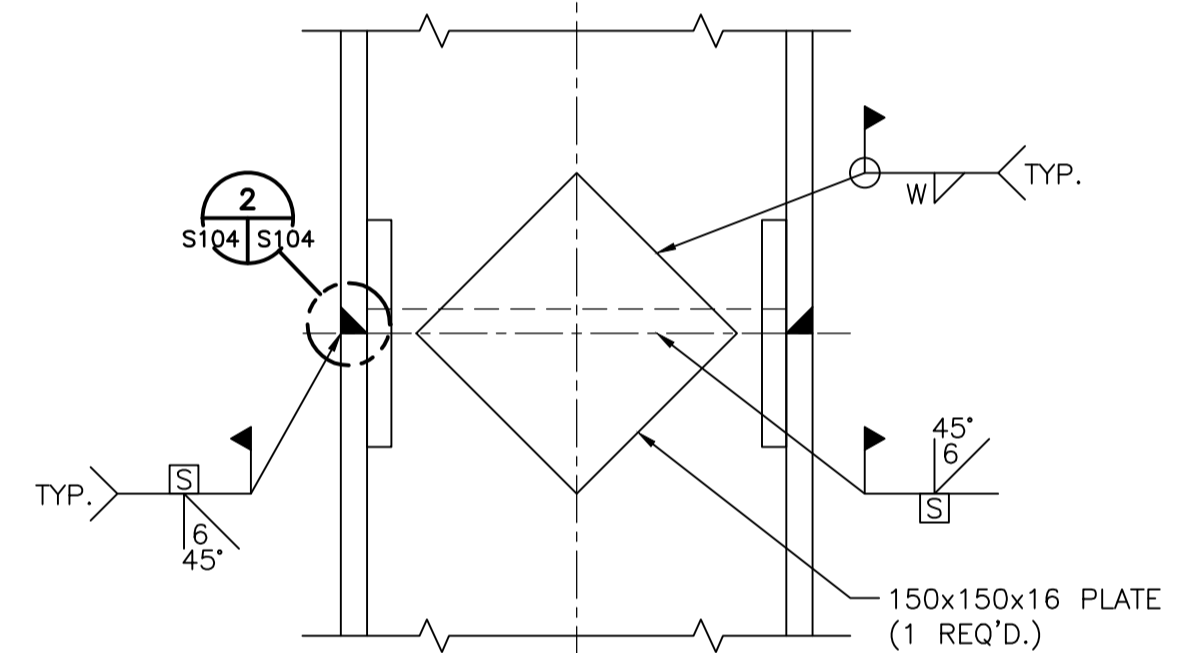
SECTION B
S104 S104 1:50



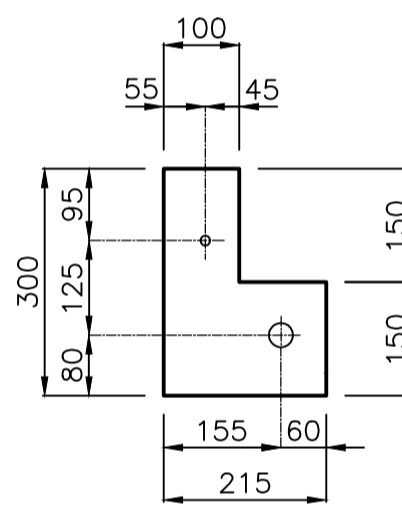
PLAN VIEW
1:50



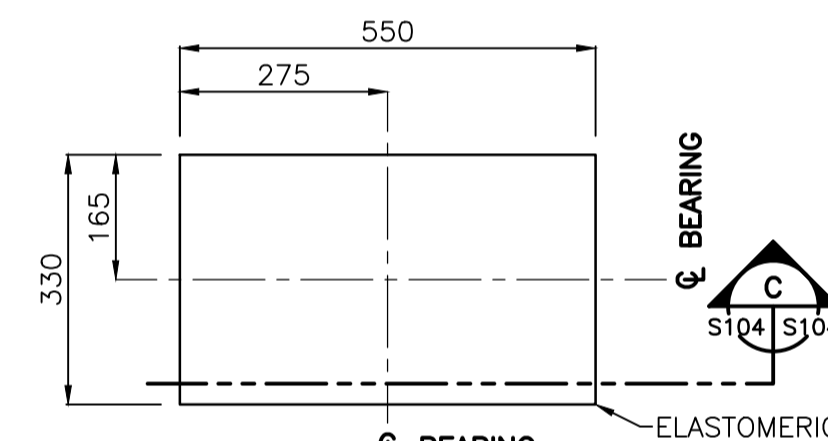
DETAIL 2
S104 S104 1:2



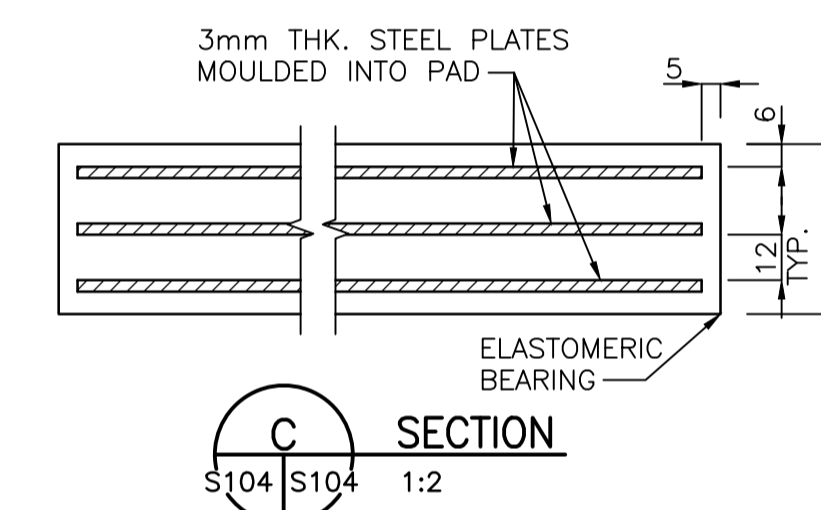
PILE SPlice DETAIL
1:5



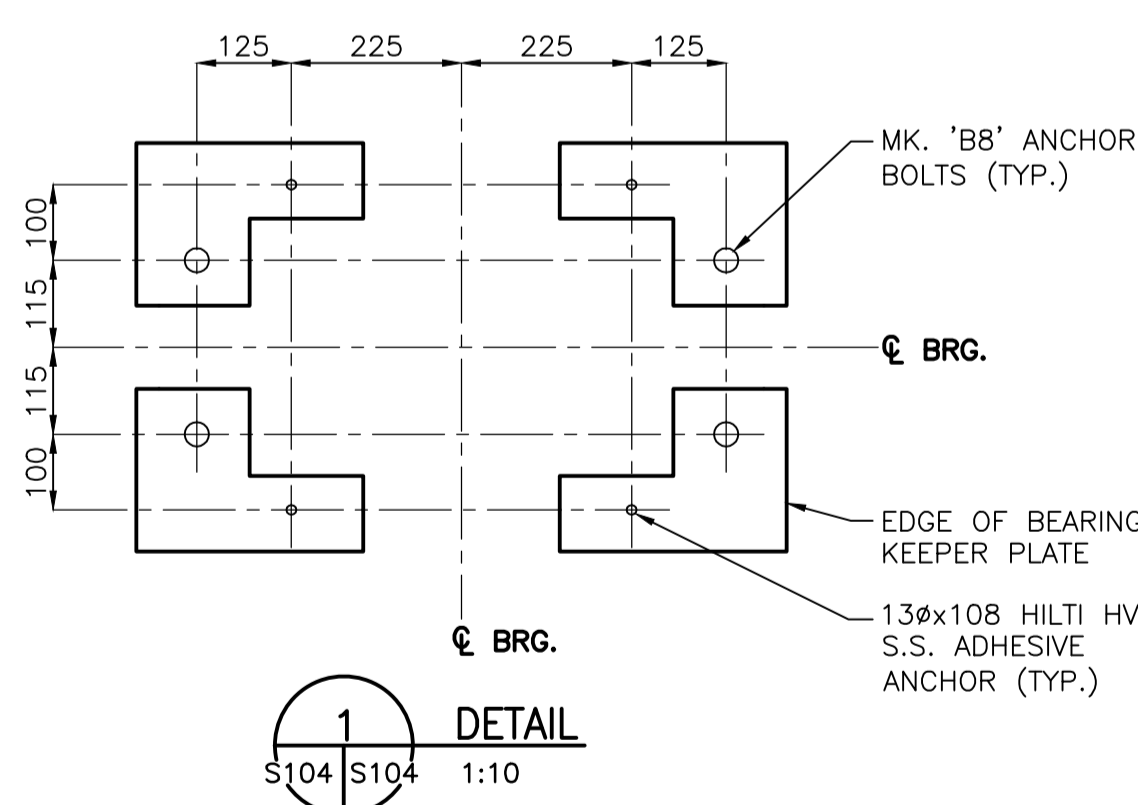
BEARING KEEPER,
PLATE MK. 'P15'
1:10



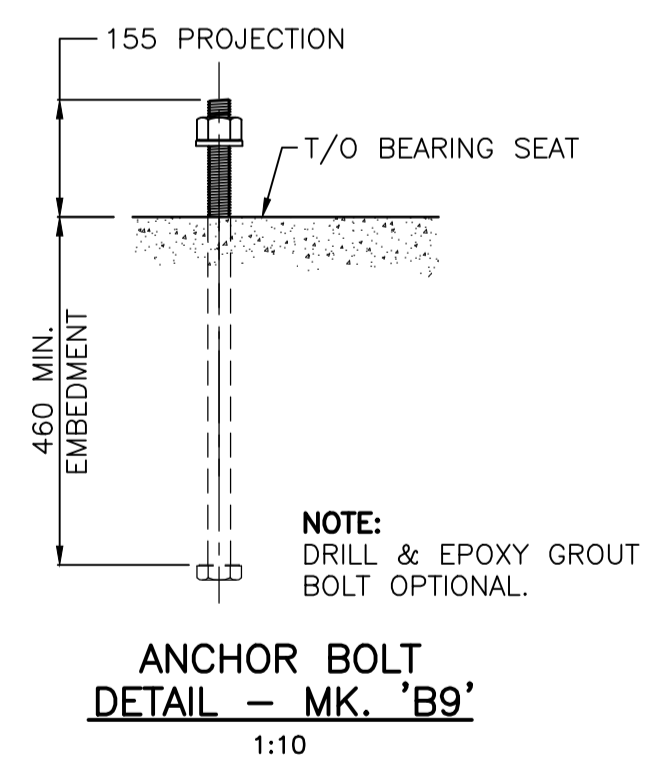
TYPICAL EXPANSION BEARING
1:10



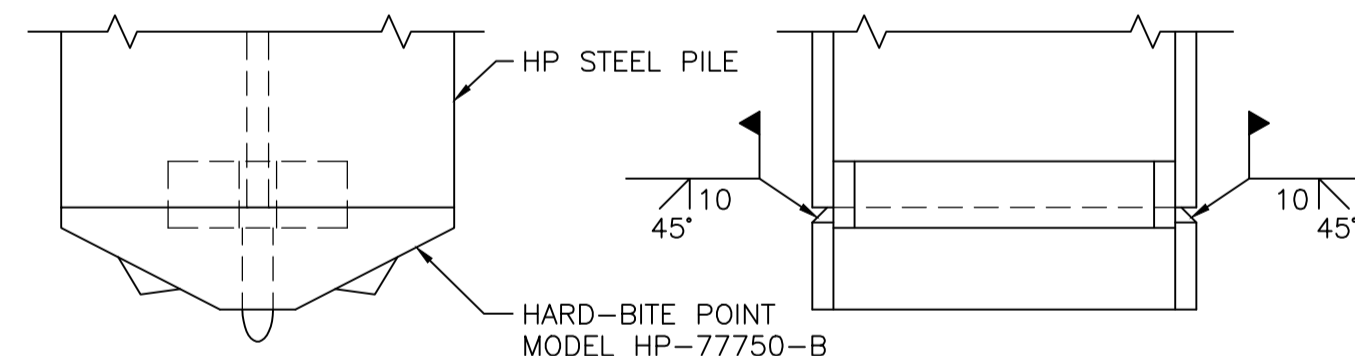
SECTION C
S104 S104 1:2



DETAIL 1
S104 S104 1:10



ANCHOR BOLT
DETAIL - MK. 'B9'
1:10



PILE TIP DETAILS
1:5

- NOTE:**
- EDGES OF HARD-BITE POINT PILE TIP TO BE GRIND ON 45° BEVEL FOR 10mm
 - 5mm LOW HYDROGEN *E70 SERIES ELECTRODES SHALL BE USED.
 - THE MINIMUM ROOT PASS SHALL BE 6mm.

*E48018 EQUIVALENT METRIC ELECTRODE

BILL OF PILES				
MARK	QTY.	DESCRIPTION	LENGTH (m)	TOTAL (m)
SU.1	8	310x125 H PILES, GRADE 350W	15	120
SU.2	8	310x125 H PILES, GRADE 350W	15	120
			TOTAL LENGTH kg =	240



METRIC
WHOLE NUMBERS INDICATE MILLIMETRES
DECIMALIZED NUMBERS INDICATE METRES
UNLESS INDICATED OTHERWISE

LOCATION APPROVED UNDERGROUND STRUCTURES

SUPV. U/G STRUCTURES COMMITTEE DATE

NOTE:
LOCATION OF UNDERGROUND STRUCTURES AS SHOWN ARE BASED ON THE BEST INFORMATION AVAILABLE BUT NO GUARANTEE IS GIVEN THAT ALL EXISTING UTILITIES ARE SHOWN OR THAT THE GIVEN LOCATIONS ARE EXACT. CONFIRMATION OF EXISTENCE AND EXACT LOCATION OF ALL SERVICES MUST BE OBTAINED FROM THE INDIVIDUAL UTILITIES BEFORE PROCEEDING WITH CONSTRUCTION.

NO.	REVISIONS	DATE	BY
0	ISSUED FOR TENDER	14.03.24	J.M.B.

B.M. ELEV.

Stantec
100 - 1355 Taylor Avenue, Winnipeg MB Canada
www.stantec.com

DESIGNED BY: S.Y.S. CHECKED BY: M.J.B.
DRAWN BY: K.M.V./J.M.B. APPROVED BY: M.J.B.

HOR. SCALE: AS NOTED
VERTICAL: RELEASED FOR CONSTRUCTION: DATE

DATE: 2014.03.24

ENGINEER'S SEAL

CONSULTANT DRAWING NO.
S104

THE CITY OF WINNIPEG
WATER AND WASTE DEPARTMENT
ENGINEERING DIVISION

GREATER WINNIPEG WATER DISTRICT
RAILWAY BRIDGE REPLACEMENT AT MILE 22.15
ABUTMENT CONCRETE
PLAN & DETAILS

SHEET 6 OF 15
CAD FILE DRAWING NUMBER 32050-s-104-800.dwg
CITY DRAWING NUMBER D-13427