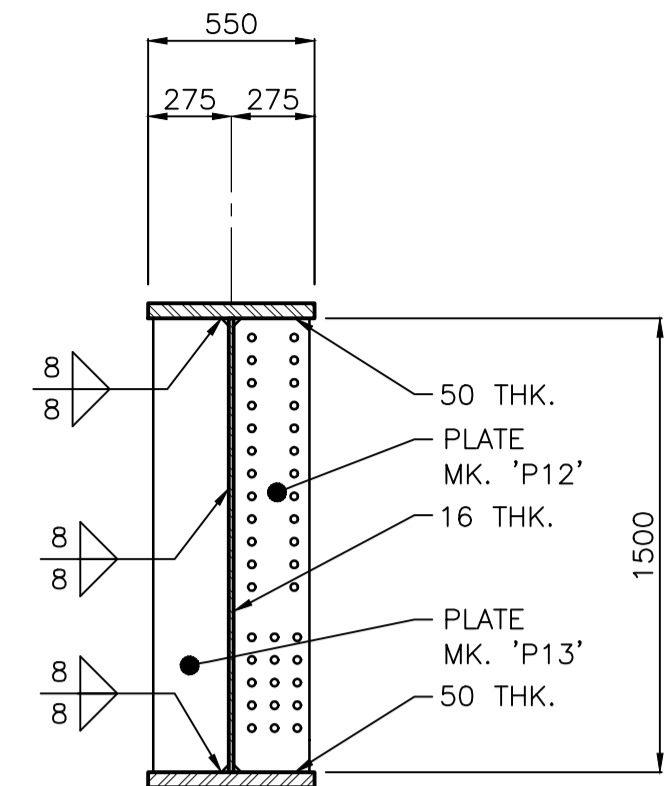
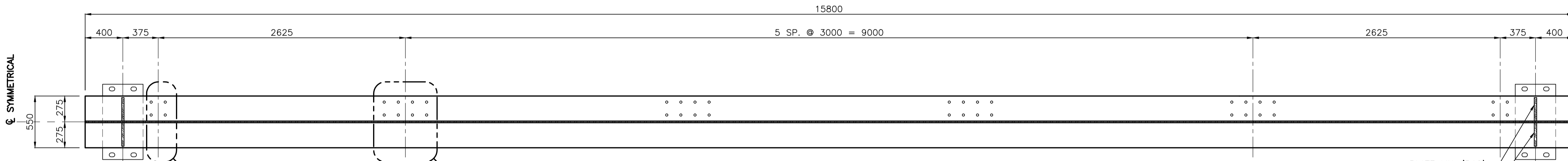


**ELEVATION - MK. 'G1' & 'G2'**  
 MK. 'G1' SHOWN  
 MK. 'G2' OPPOSITE



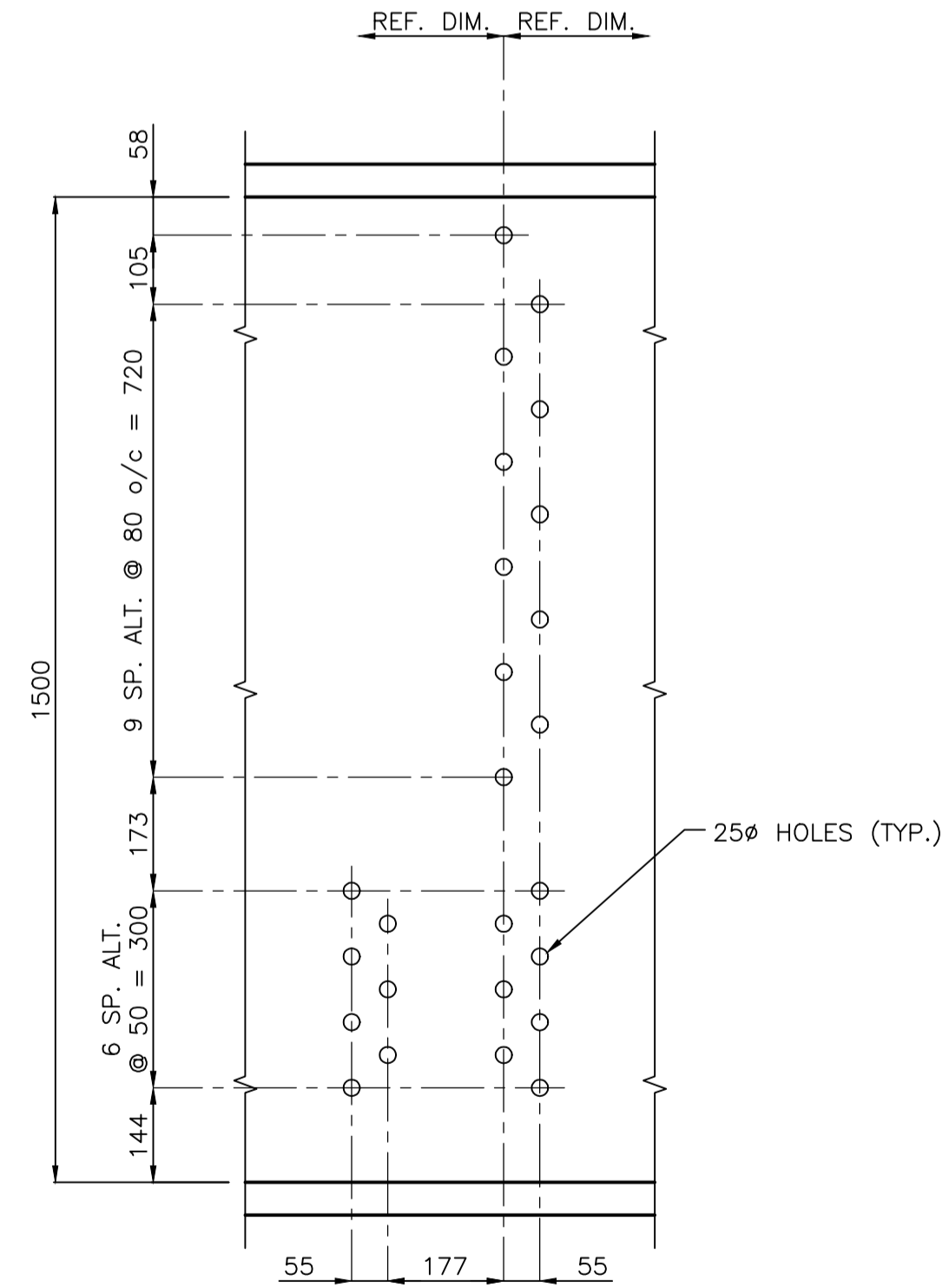
**SECTION A-A**  
 1:25



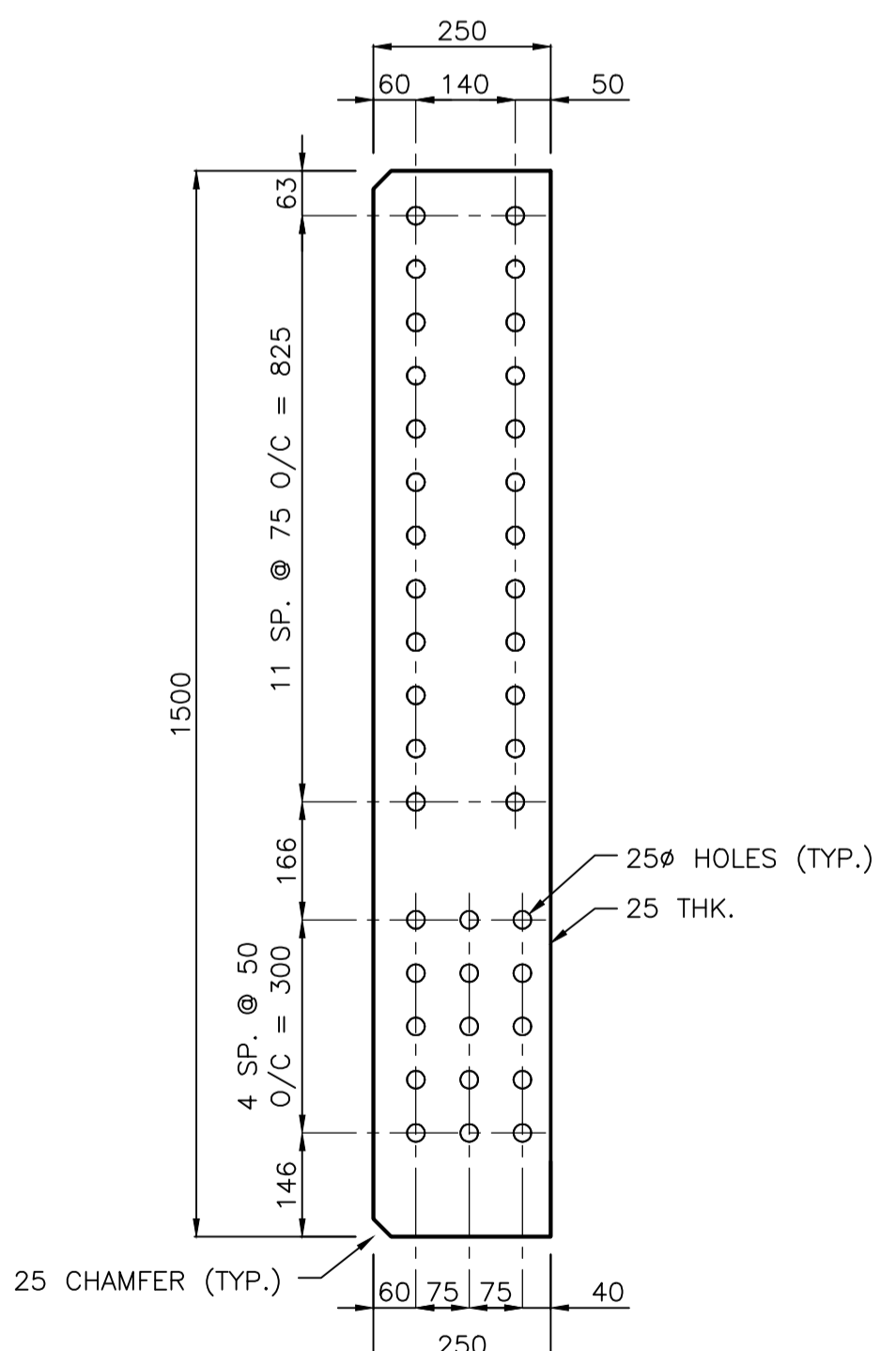
**PLAN - BOTTOM FLANGE - MK. 'G1' & 'G2'**  
 MK. 'G1' SHOWN  
 MK. 'G2' OPPOSITE

**GIRDER MK. 'G1' & 'G2'**  
 1:25

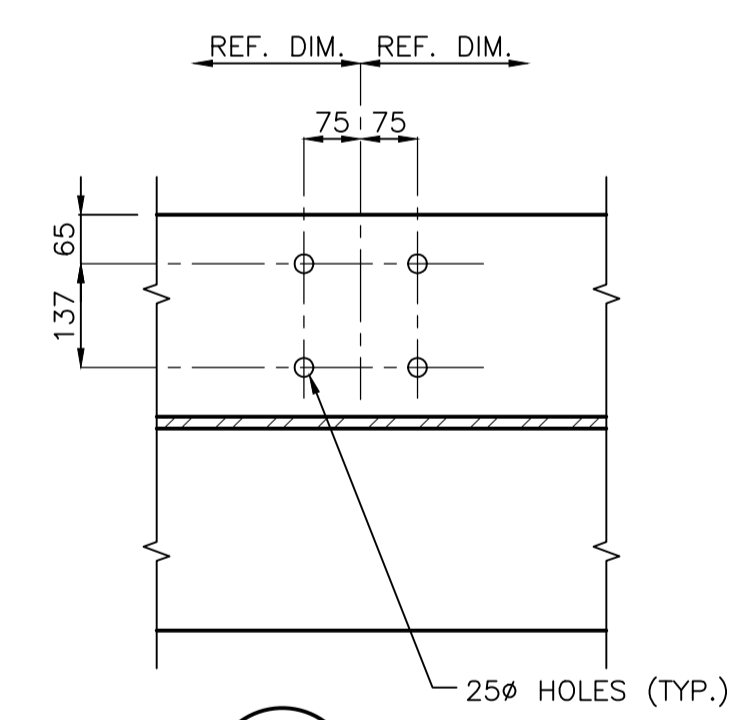
PLATE MK. 'P12'  
 PLATE MK. 'P13'



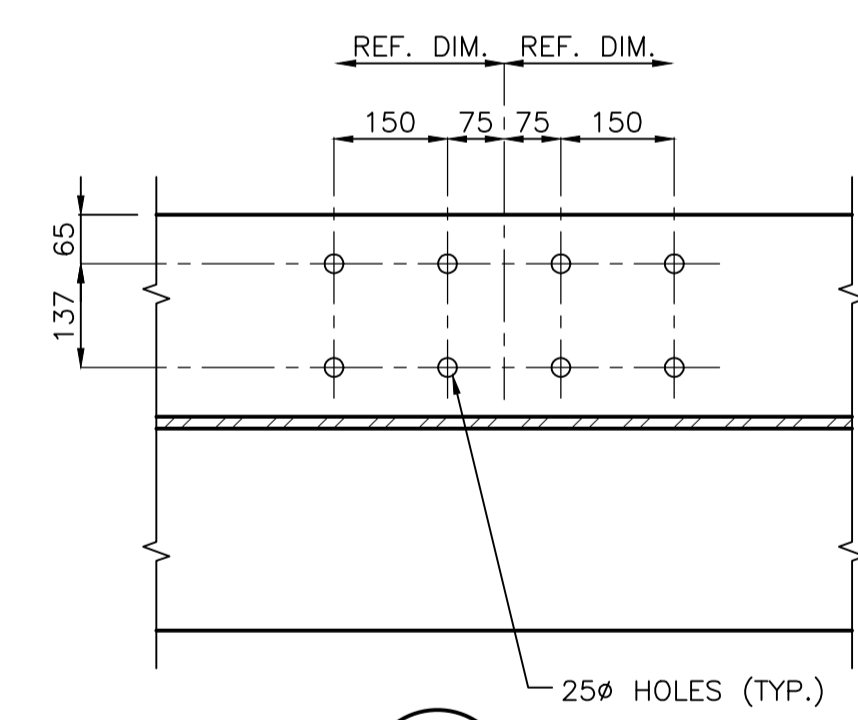
**DETAIL 1**  
 S108 S108  
 1:10



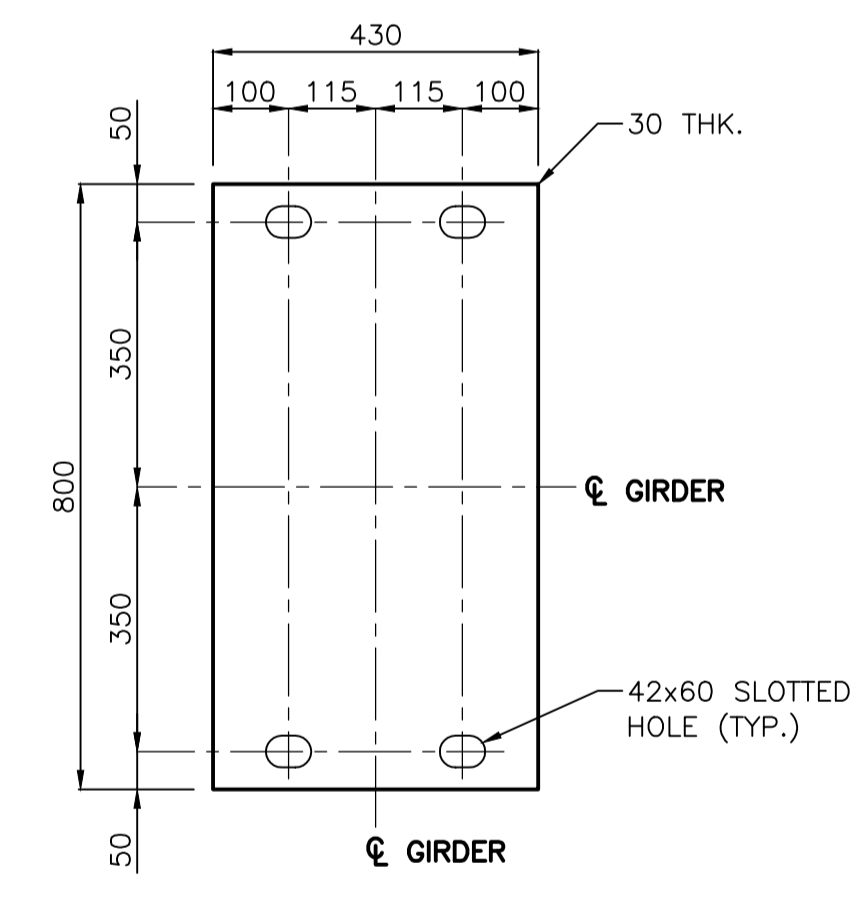
**STIFFENER PLATE MK. 'P12' & 'P13'**  
 1:10  
 MK. 'P12' SHOWN  
 MK. 'P13' NO HOLES



**DETAIL 2**  
 S108 S108  
 1:10



**DETAIL 3**  
 S108 S108  
 1:10



**BEARING PLATE MK. 'P11'**  
 1:10



**METRIC**  
 WHOLE NUMBERS INDICATE MILLIMETRES  
 DECIMALIZED NUMBERS INDICATE METRES  
 UNLESS INDICATED OTHERWISE

**LOCATION APPROVED UNDERGROUND STRUCTURES**  
 SUPV. U/G STRUCTURES COMMITTEE DATE  
 NOTE:  
 LOCATION OF UNDERGROUND STRUCTURES AS SHOWN ARE BASED ON THE BEST INFORMATION AVAILABLE BUT NO GUARANTEE IS GIVEN THAT ALL EXISTING UTILITIES ARE SHOWN OR THAT THE GIVEN LOCATIONS ARE EXACT. CONFIRMATION OF EXISTENCE AND EXACT LOCATION OF ALL SERVICES MUST BE OBTAINED FROM THE INDIVIDUAL UTILITIES BEFORE PROCEEDING WITH CONSTRUCTION.

B.M. ELEV.			
DESIGNED BY	S.S.Y.	CHECKED BY	M.J.B.
DRAWN BY	J.P.W.	APPROVED BY	M.J.B.
HOR. SCALE:	AS NOTED	RELEASED FOR CONSTRUCTION:	
VERTICAL:		DATE	2014.03.24
NO. REVISIONS		DATE	

**Stantec**  
 100 - 1355 Taylor Avenue, Winnipeg MB Canada  
 www.stantec.com

ENGINEER'S SEAL

CONSULTANT DRAWING NO. S108

**THE CITY OF WINNIPEG**  
 WATER AND WASTE DEPARTMENT  
 ENGINEERING DIVISION

**GREATER WINNIPEG WATER DISTRICT**  
 RAILWAY BRIDGE REPLACEMENT AT MILE 22.15  
 STEEL GIRDER DETAILS

SHEET 10 OF 15  
 CAD FILE DRAWING NUMBER 32050-s-108-800.dwg  
 CITY DRAWING NUMBER D-13431