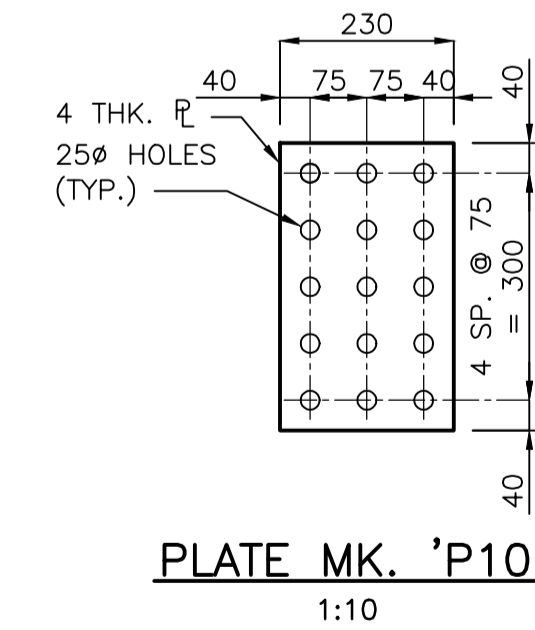
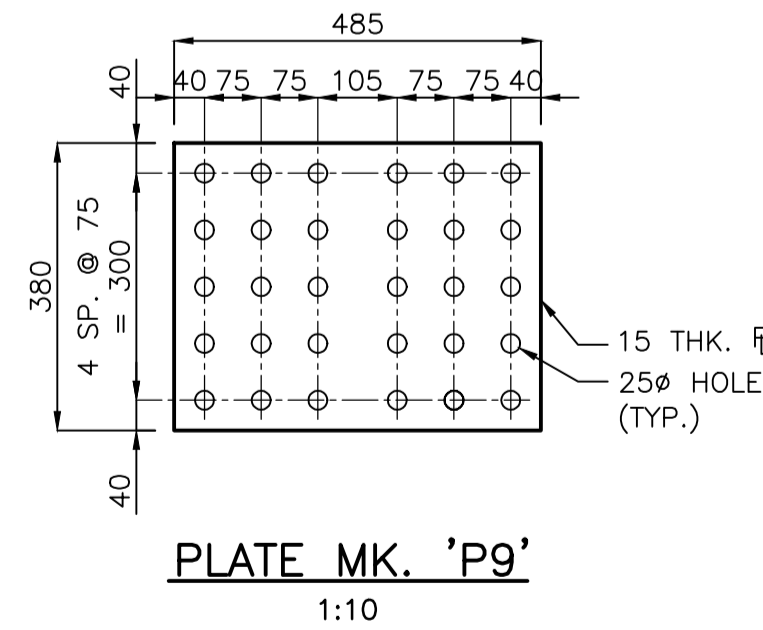
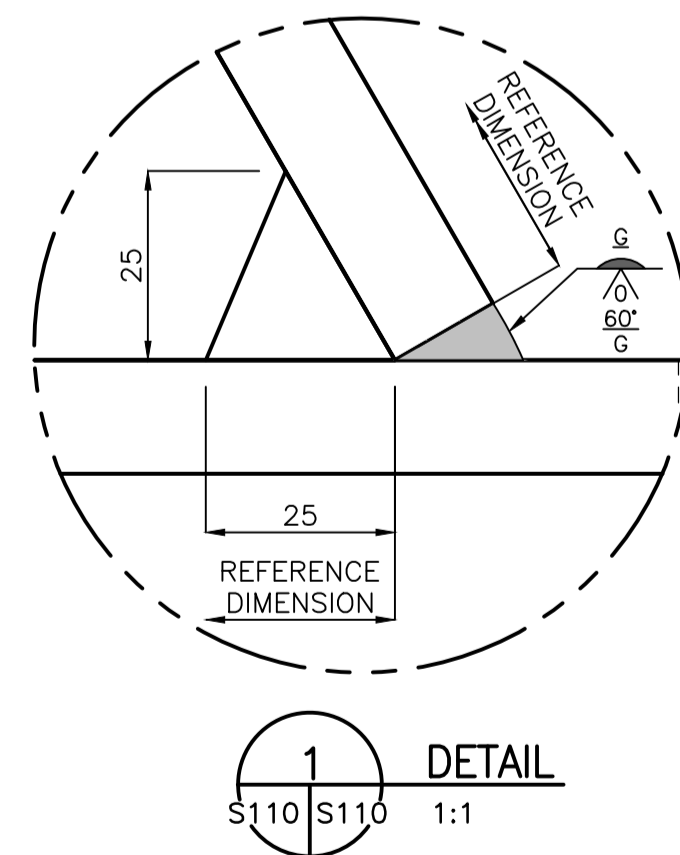
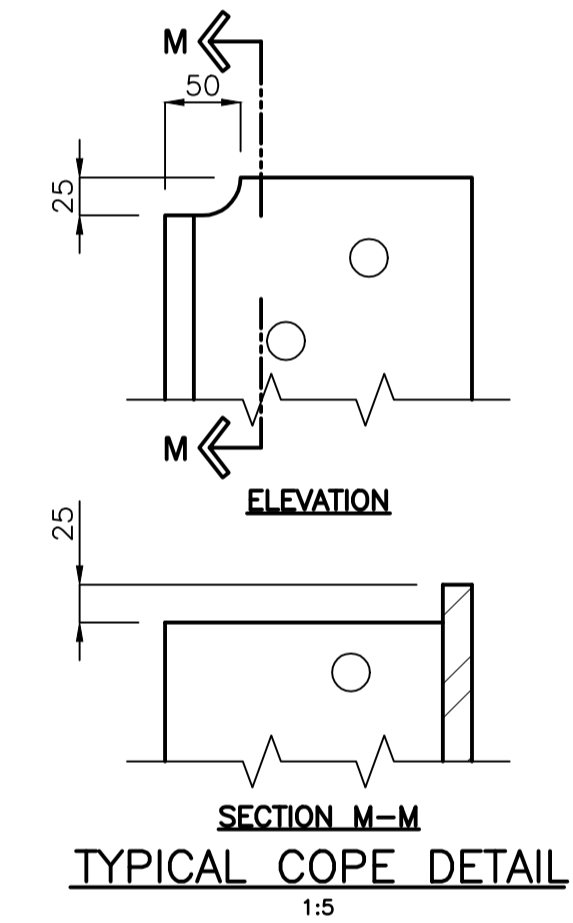
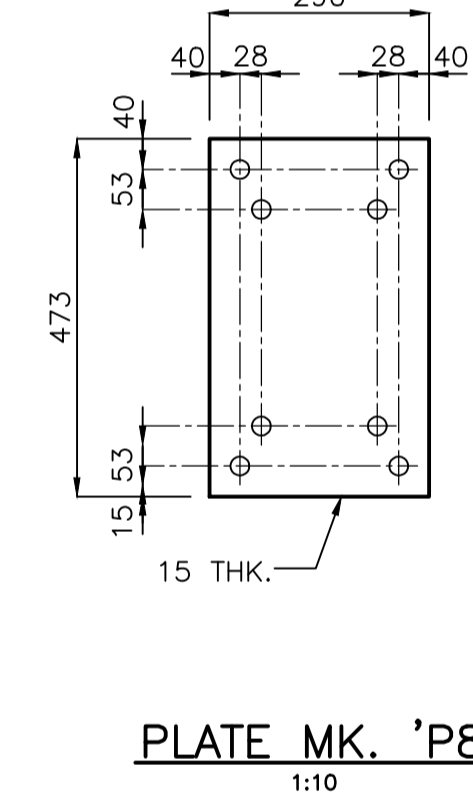
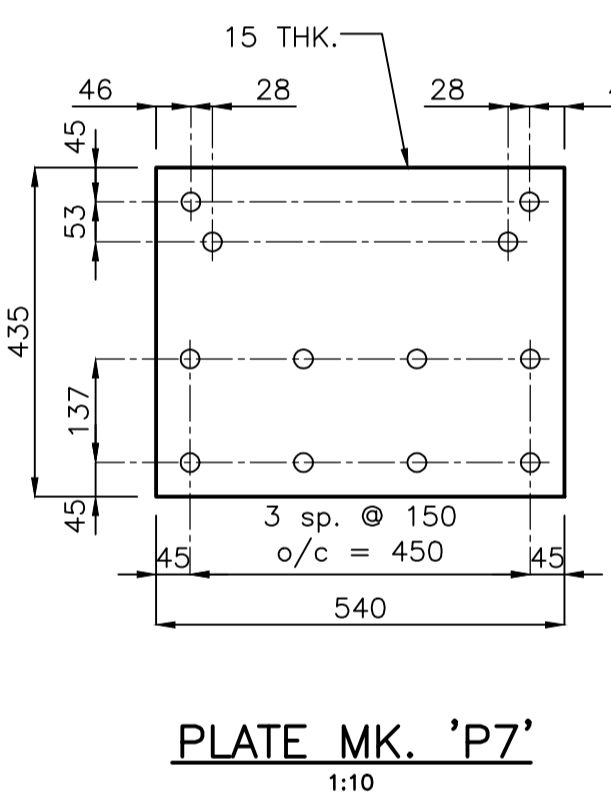
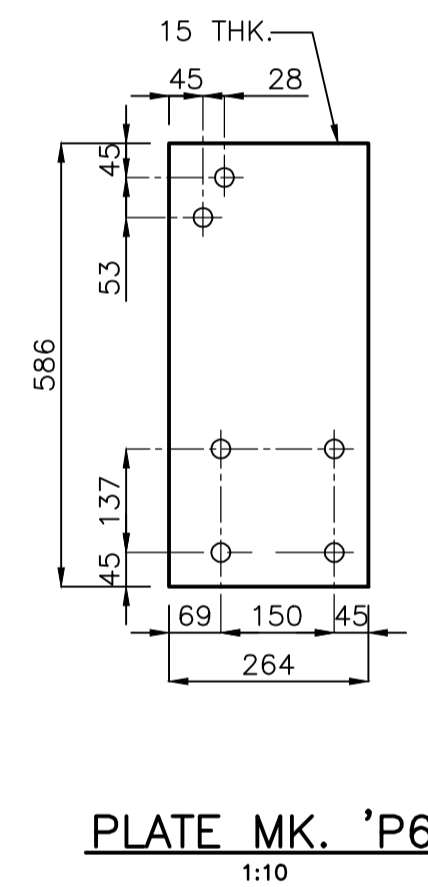
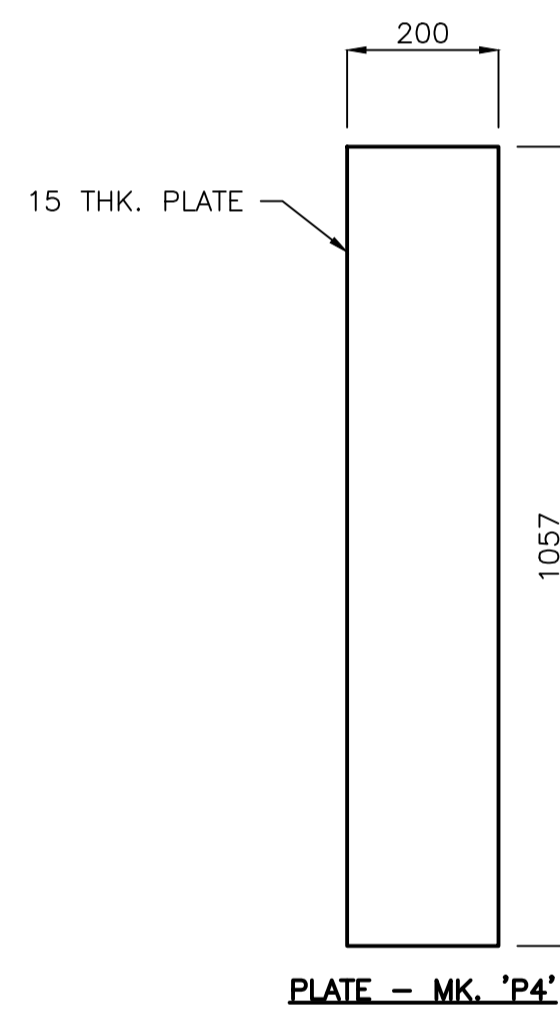
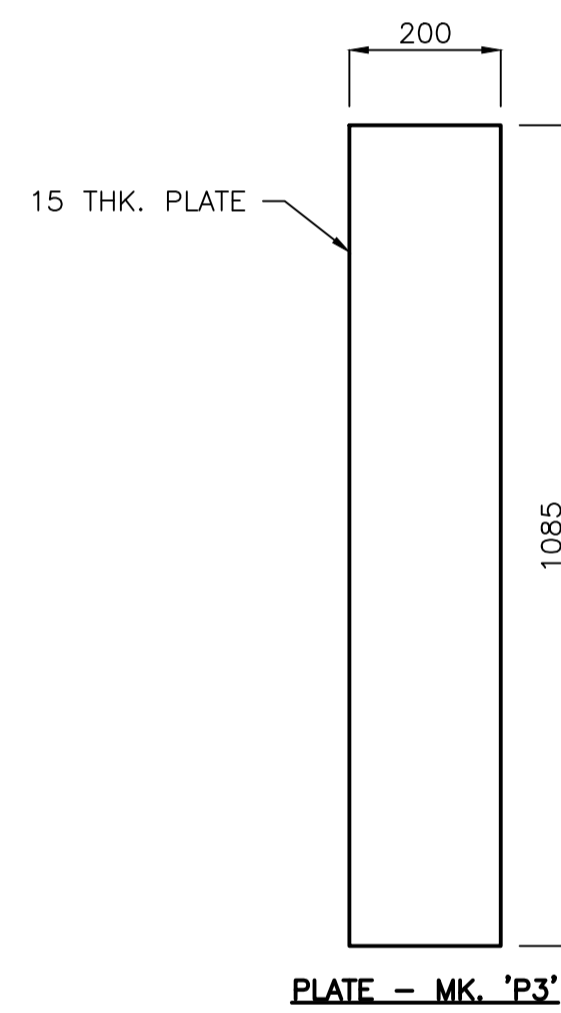
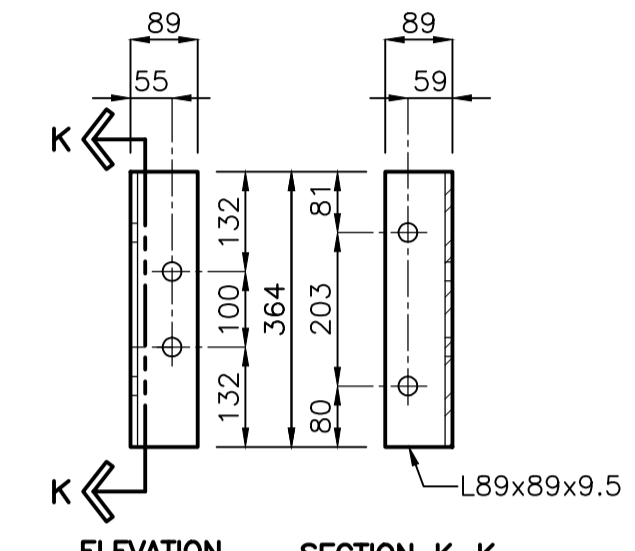
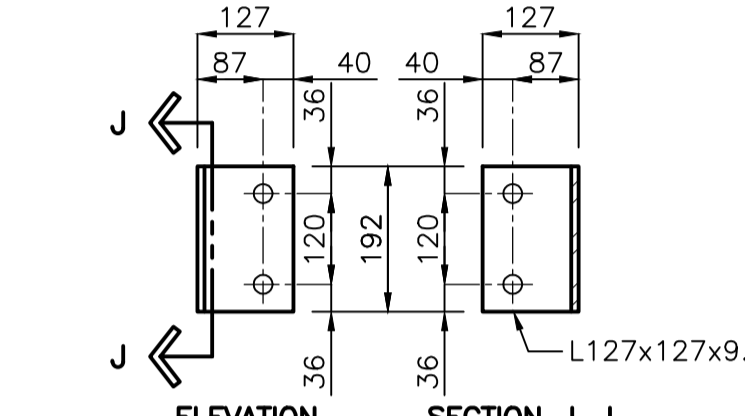
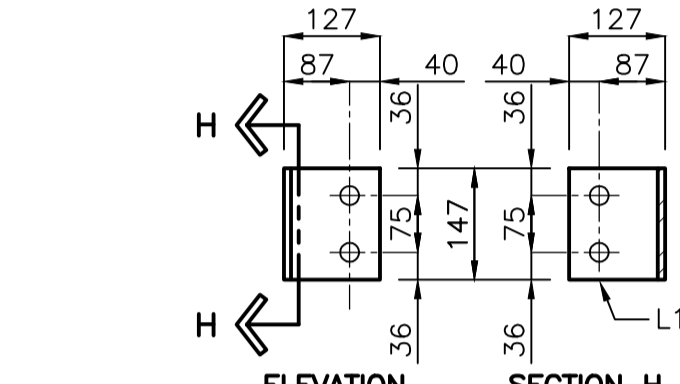
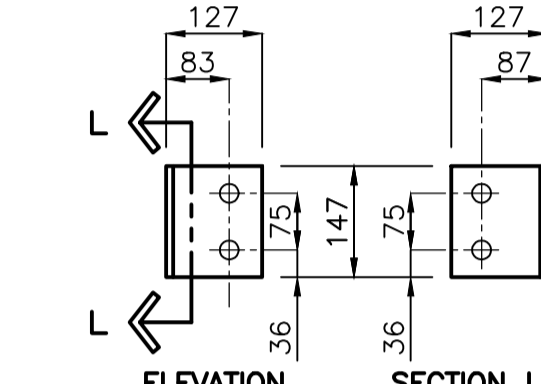
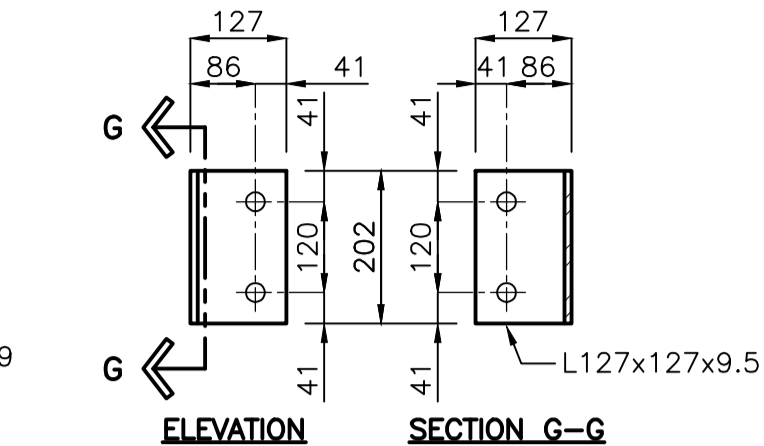
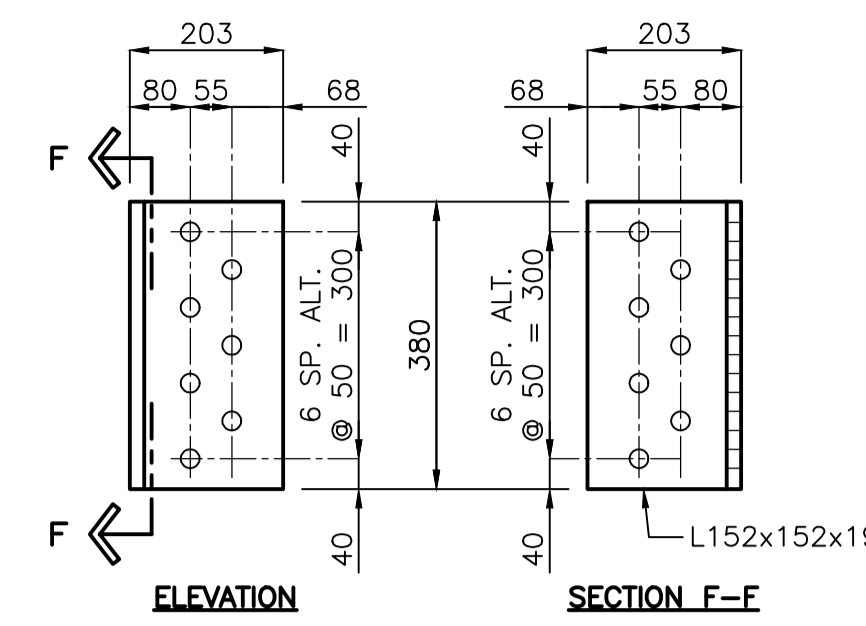


CONNECTION ANGLE MK. 'CA5' & 'CA6'  
1:10  
MK. 'CA5' SHOWN  
MK. 'CA6' OPPOSITE



**APEGM**  
Certificate of Authorization  
Stantec Consulting Ltd.  
No. 1301

**METRIC**  
WHOLE NUMBERS INDICATE MILLIMETRES  
DECIMALIZED NUMBERS INDICATE METRES  
UNLESS INDICATED OTHERWISE

**LOCATION APPROVED UNDERGROUND STRUCTURES**  
SUPV. U/G STRUCTURES COMMITTEE DATE  
NOTE:  
LOCATION OF UNDERGROUND STRUCTURES AS SHOWN ARE BASED ON THE BEST INFORMATION AVAILABLE BUT NO GUARANTEE IS GIVEN THAT ALL EXISTING UTILITIES ARE SHOWN OR THAT THE GIVEN LOCATIONS ARE EXACT. CONFIRMATION OF EXISTENCE AND EXACT LOCATION OF ALL SERVICES MUST BE OBTAINED FROM THE INDIVIDUAL UTILITIES BEFORE PROCEEDING WITH CONSTRUCTION.

NO.	REVISIONS	DATE	BY
0	ISSUED FOR TENDER	14.03.24	J.M.B.

<b>Stantec</b> 100 - 1355 Taylor Avenue, Winnipeg MB Canada www.stantec.com	
DESIGNED BY: S.S.Y.	CHECKED BY: M.J.B.
DRAWN BY: J.P.W.	APPROVED BY: M.J.B.
HOR. SCALE: AS NOTED	RELEASED FOR CONSTRUCTION: DATE
VERTICAL: DATE	DATE: 2014.03.24

ENGINEER'S SEAL  
CONSULTANT DRAWING NO. S110

**THE CITY OF WINNIPEG**  
WATER AND WASTE DEPARTMENT  
ENGINEERING DIVISION  
GREATER WINNIPEG WATER DISTRICT  
RAILWAY BRIDGE REPLACEMENT AT MILE 22.15  
STEEL PLATE & ANGLE DETAILS

SHEET 12 OF 15
CAD FILE DRAWING NUMBER 32050-s-110-800.dwg
CITY DRAWING NUMBER D-13433