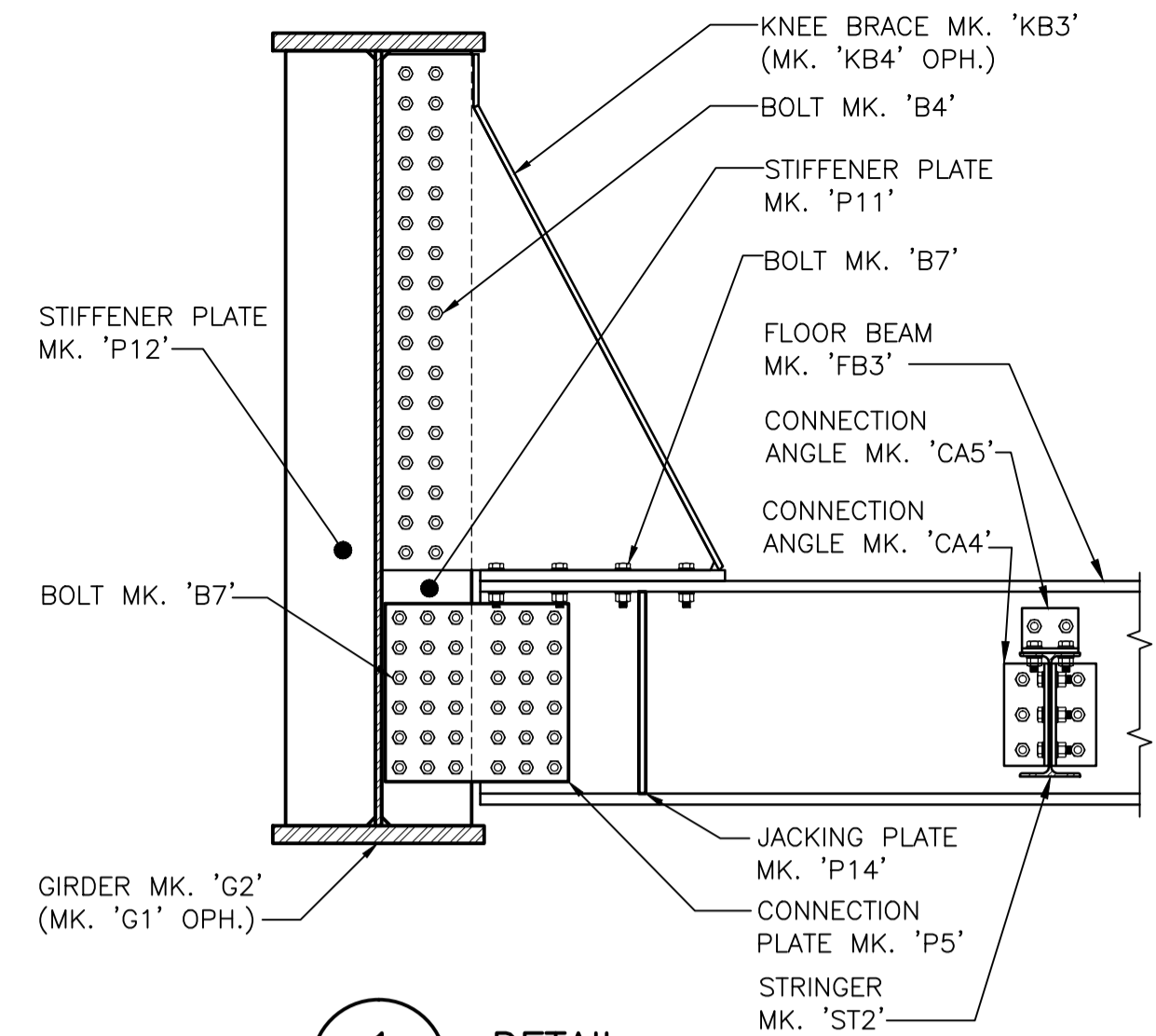
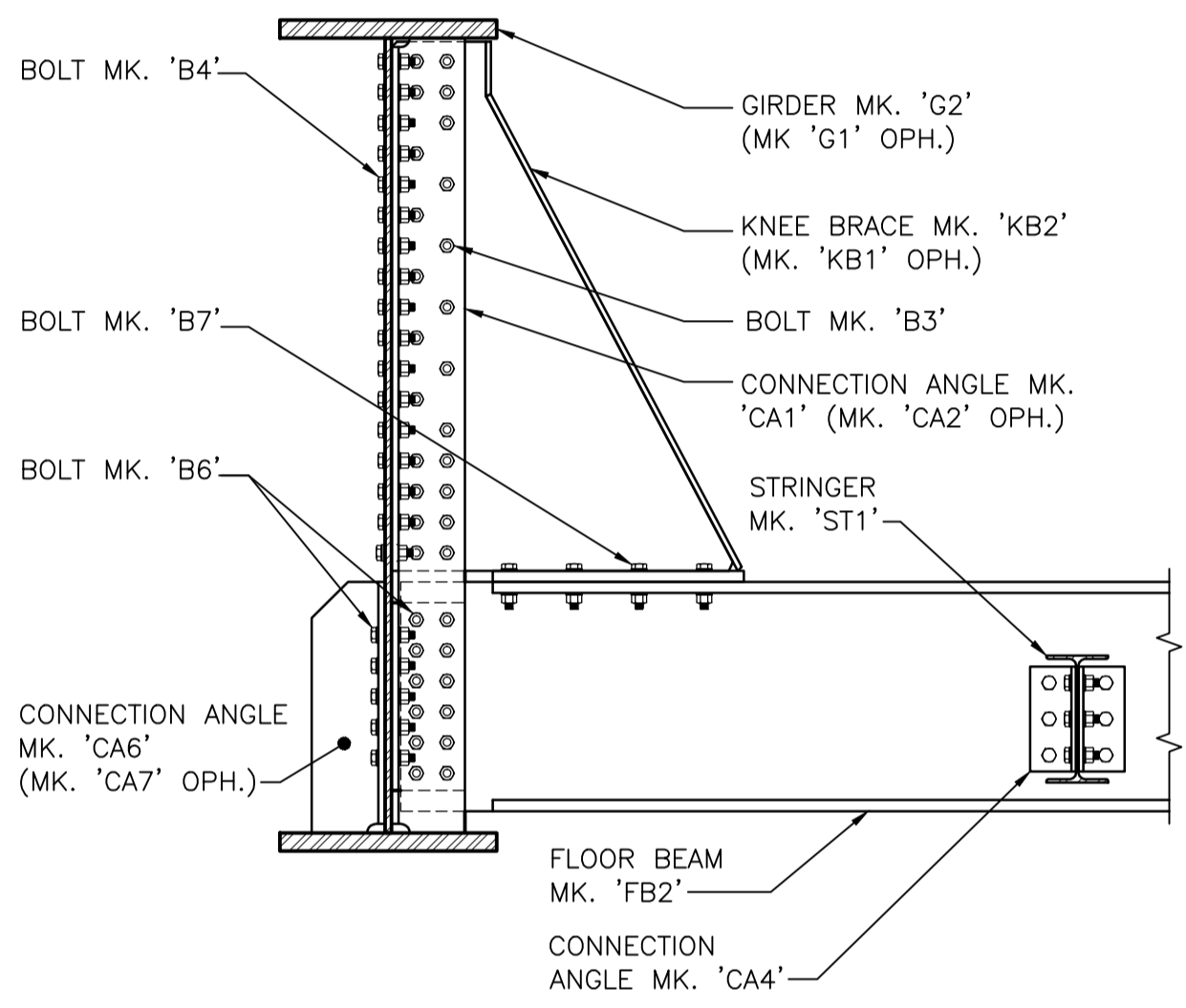


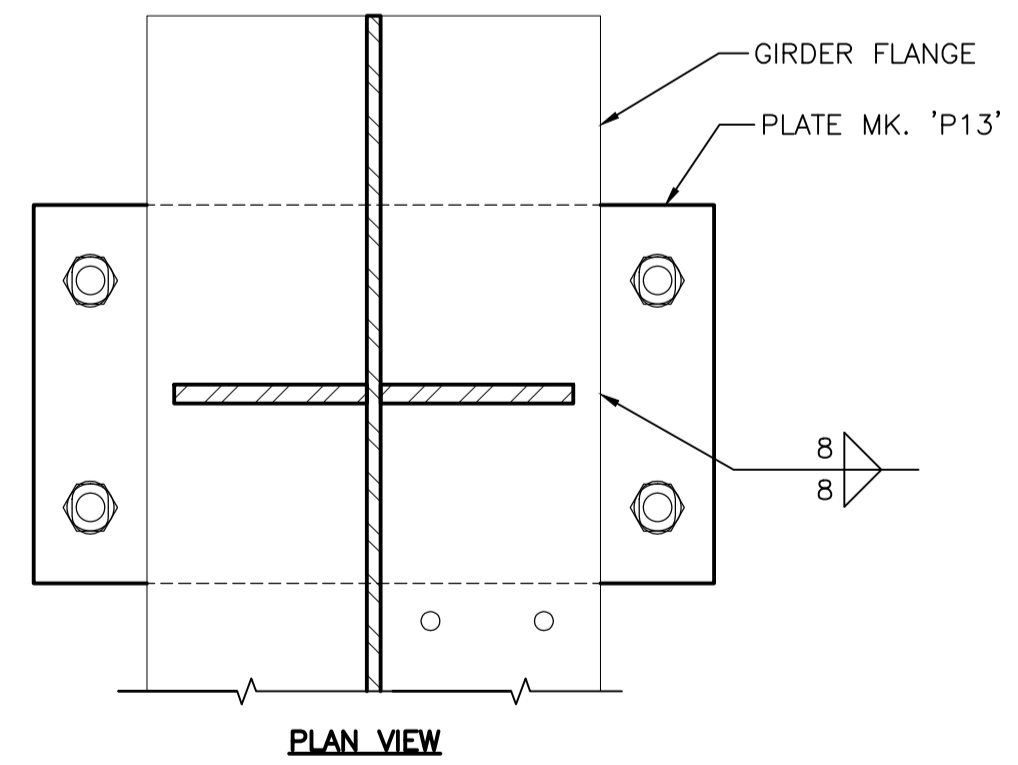
C:\1195-F01\Working\1137\11372050\drawing\04\_working\sheet\_files\mils\_77.8\32050-s-206-800.dwg  
 Date: 2014 Apr 22 10:59pm User: Bannister, J



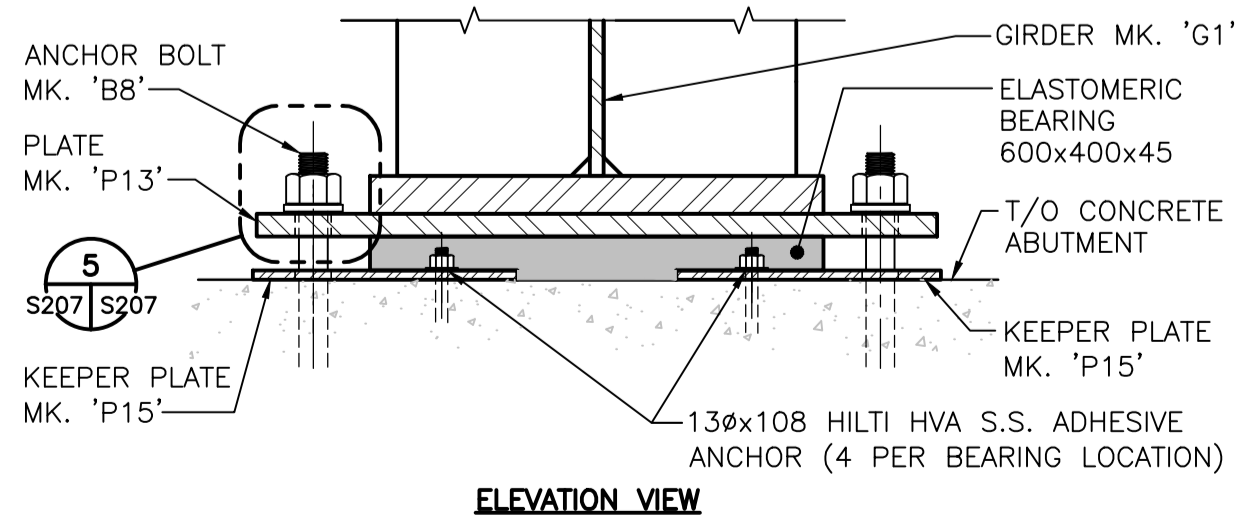
**1 DETAIL**  
S206/S207 1:20



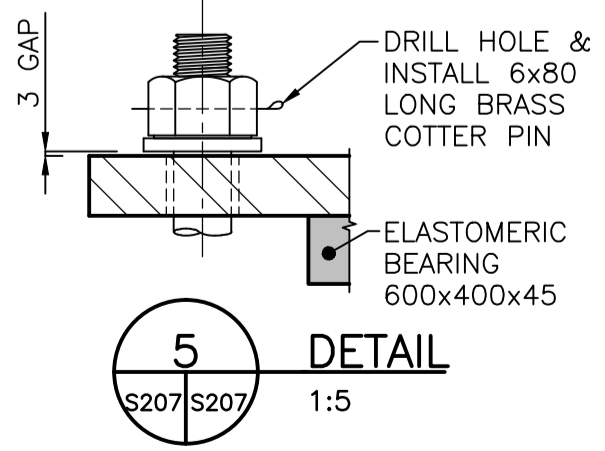
**C SECTION**  
S206/S207 1:20



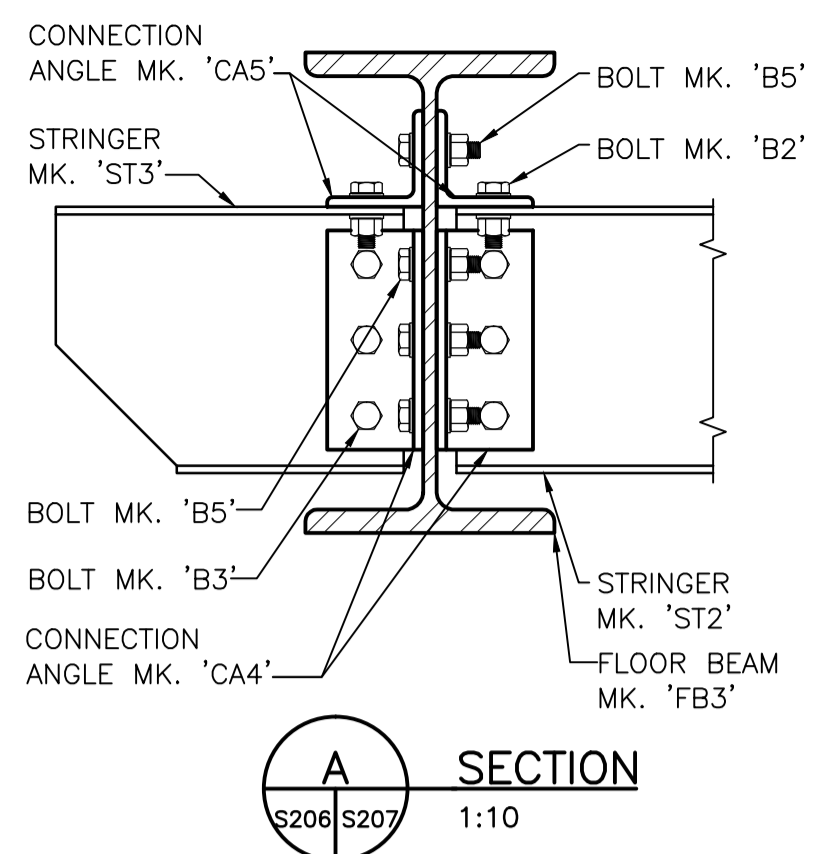
**PLAN VIEW**



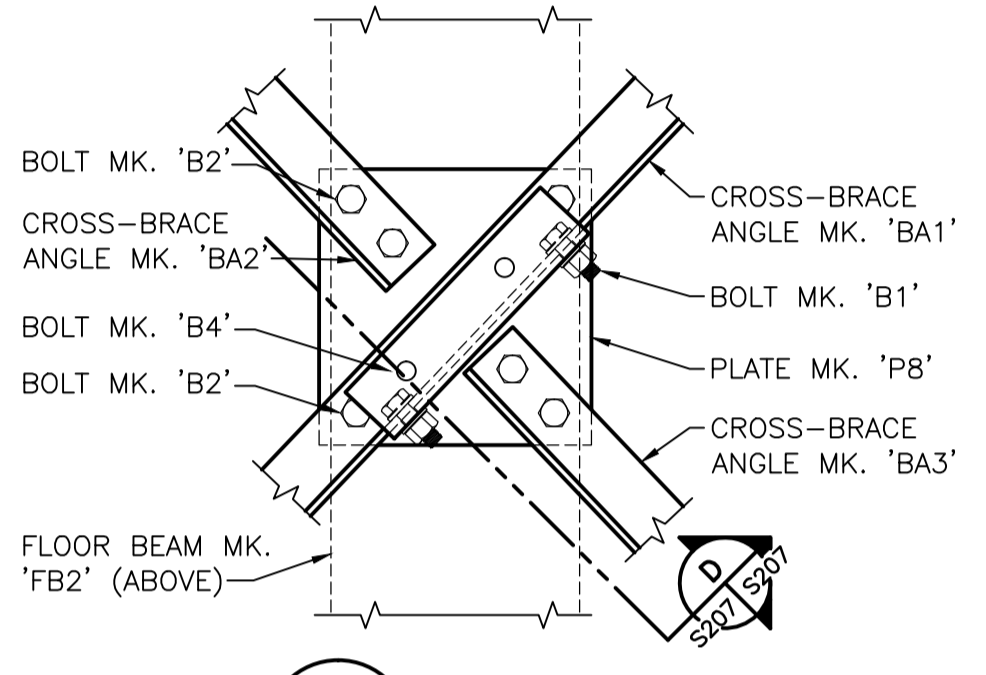
**ABUTMENT EXPANSION BEARING DETAIL**  
1:10



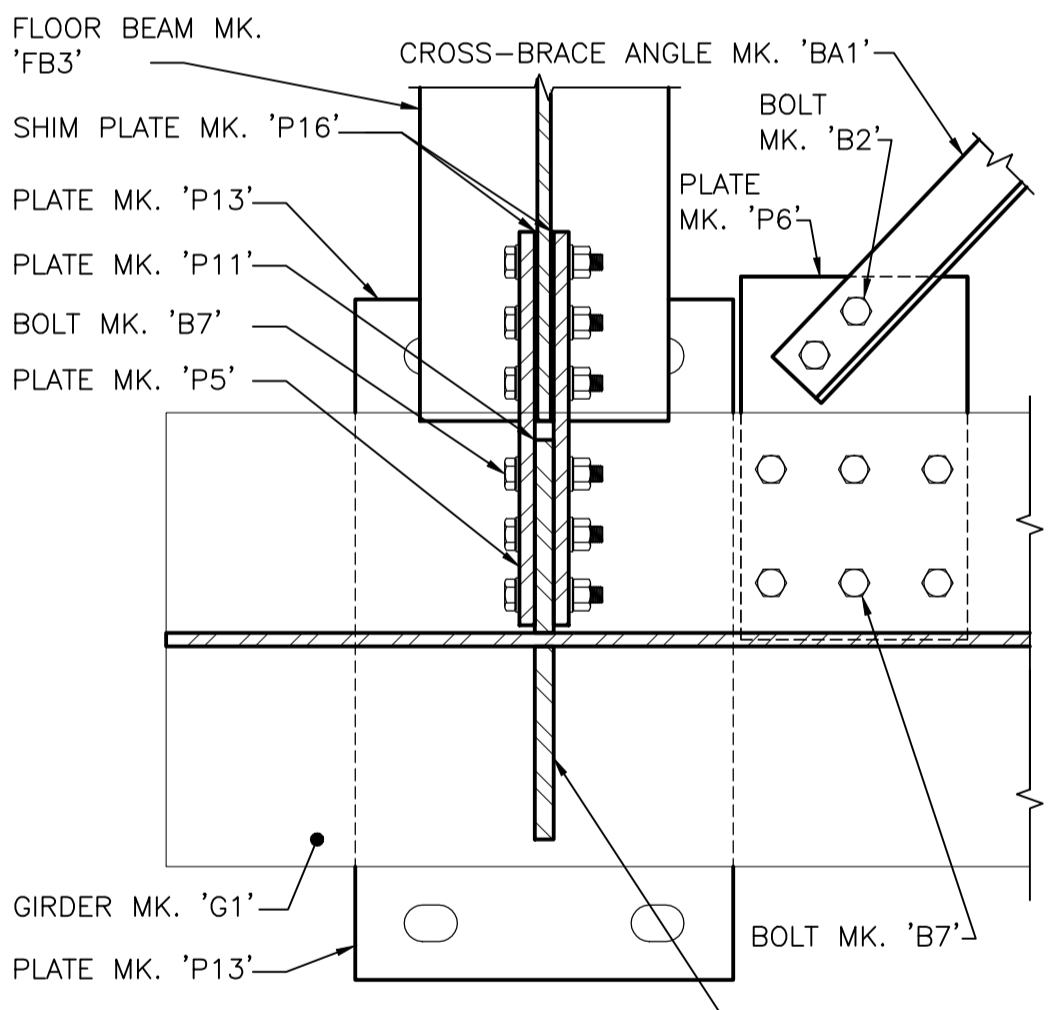
**5 DETAIL**  
S207/S207 1:5



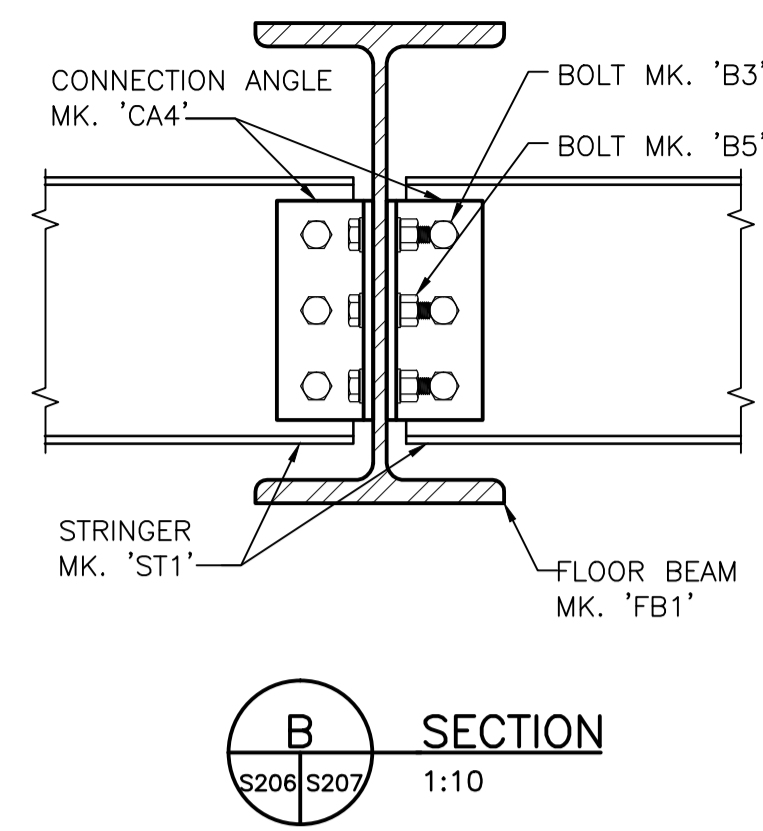
**A SECTION**  
S206/S207 1:10



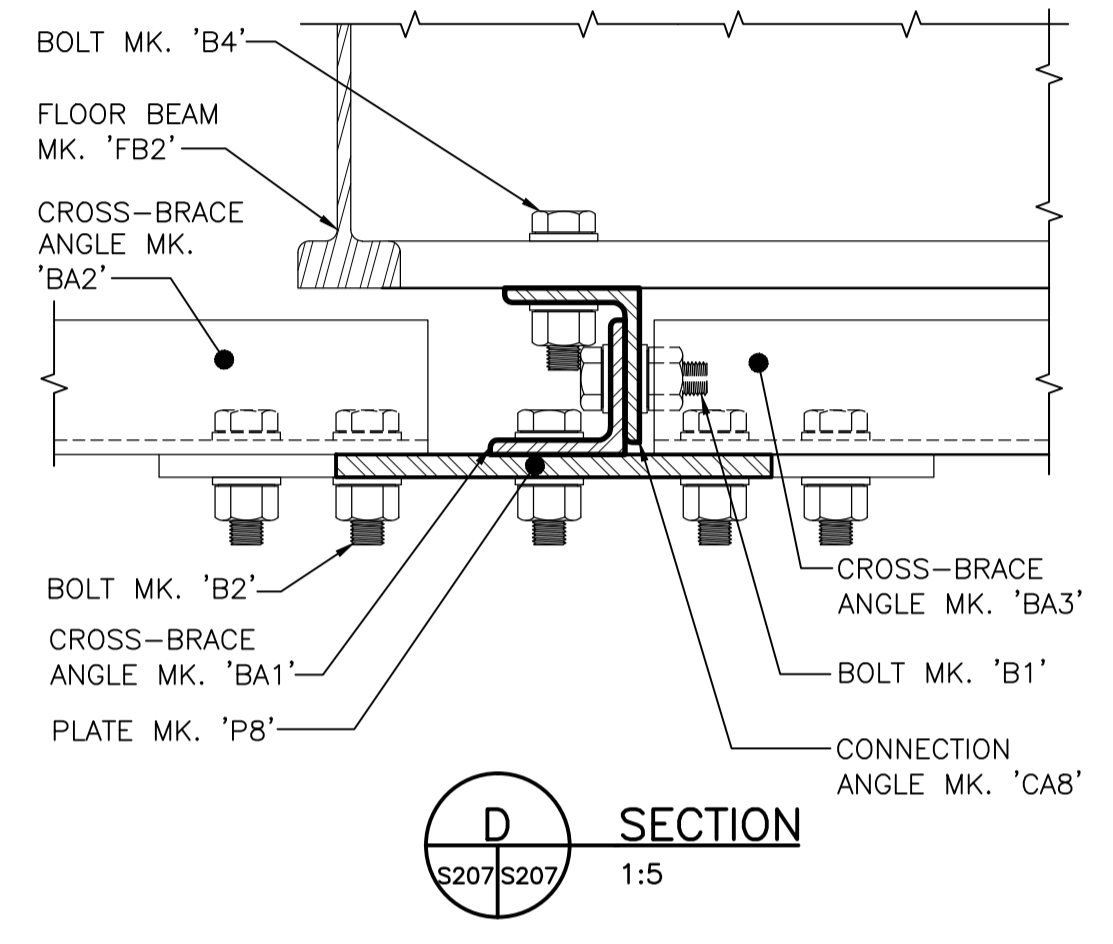
**2 DETAIL**  
S206/S207 1:10



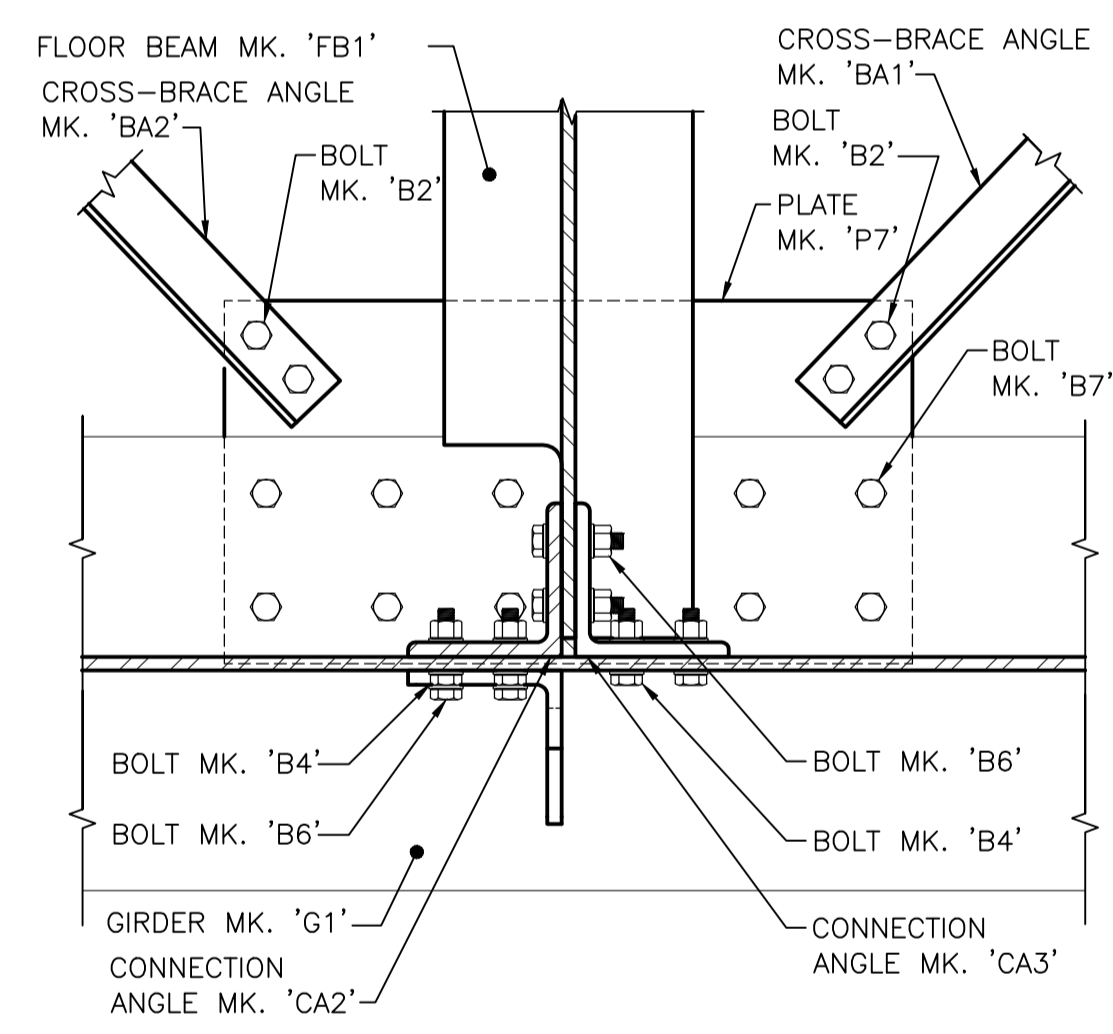
**3 DETAIL**  
S206/S207 1:10



**B SECTION**  
S206/S207 1:10



**D SECTION**  
S207/S207 1:5



**4 DETAIL**  
S206/S207 1:10

  
 Certificate of Authorization  
 Stantec Consulting Ltd.  
 No. 1301


**METRIC**  
 WHOLE NUMBERS INDICATE MILLIMETRES  
 DECIMALIZED NUMBERS INDICATE METRES  
 UNLESS INDICATED OTHERWISE


**THE CITY OF WINNIPEG**  
 WATER AND WASTE DEPARTMENT  
 ENGINEERING DIVISION

**GREATER WINNIPEG WATER DISTRICT**  
 RAILWAY BRIDGE REPLACEMENT AT MILE 77.6  
 STEEL CONNECTIONS DETAILS

SHEET **9** OF **15**  
 CAD FILE DRAWING NUMBER  
 32050-s-206-800.dwg  
 CITY DRAWING NUMBER  
**D-13445**

<b>LOCATION APPROVED UNDERGROUND STRUCTURES</b>		B.M. ELEV.
SUPV. U/G STRUCTURES COMMITTEE	DATE	
NOTE: LOCATION OF UNDERGROUND STRUCTURES AS SHOWN ARE BASED ON THE BEST INFORMATION AVAILABLE BUT NO GUARANTEE IS GIVEN THAT ALL EXISTING UTILITIES ARE SHOWN OR THAT THE GIVEN LOCATIONS ARE EXACT. CONFIRMATION OF EXISTENCE AND EXACT LOCATION OF ALL SERVICES MUST BE OBTAINED FROM THE INDIVIDUAL UTILITIES BEFORE PROCEEDING WITH CONSTRUCTION.		
NO. REVISIONS	DATE	BY
0	ISSUED FOR TENDER	14.04.22 J.M.B.

 100 - 1355 Taylor Avenue, Winnipeg MB Canada www.stantec.com		ENGINEER'S SEAL
DESIGNED BY	S.Y.S.	CHECKED BY
DRAWN BY	J.M.B.	APPROVED BY
HOR. SCALE:	AS NOTED	RELEASED FOR CONSTRUCTION:
VERTICAL:		DATE
DATE	2014.03.24	DATE

CONSULTANT DRAWING NO.	S207
------------------------	------